

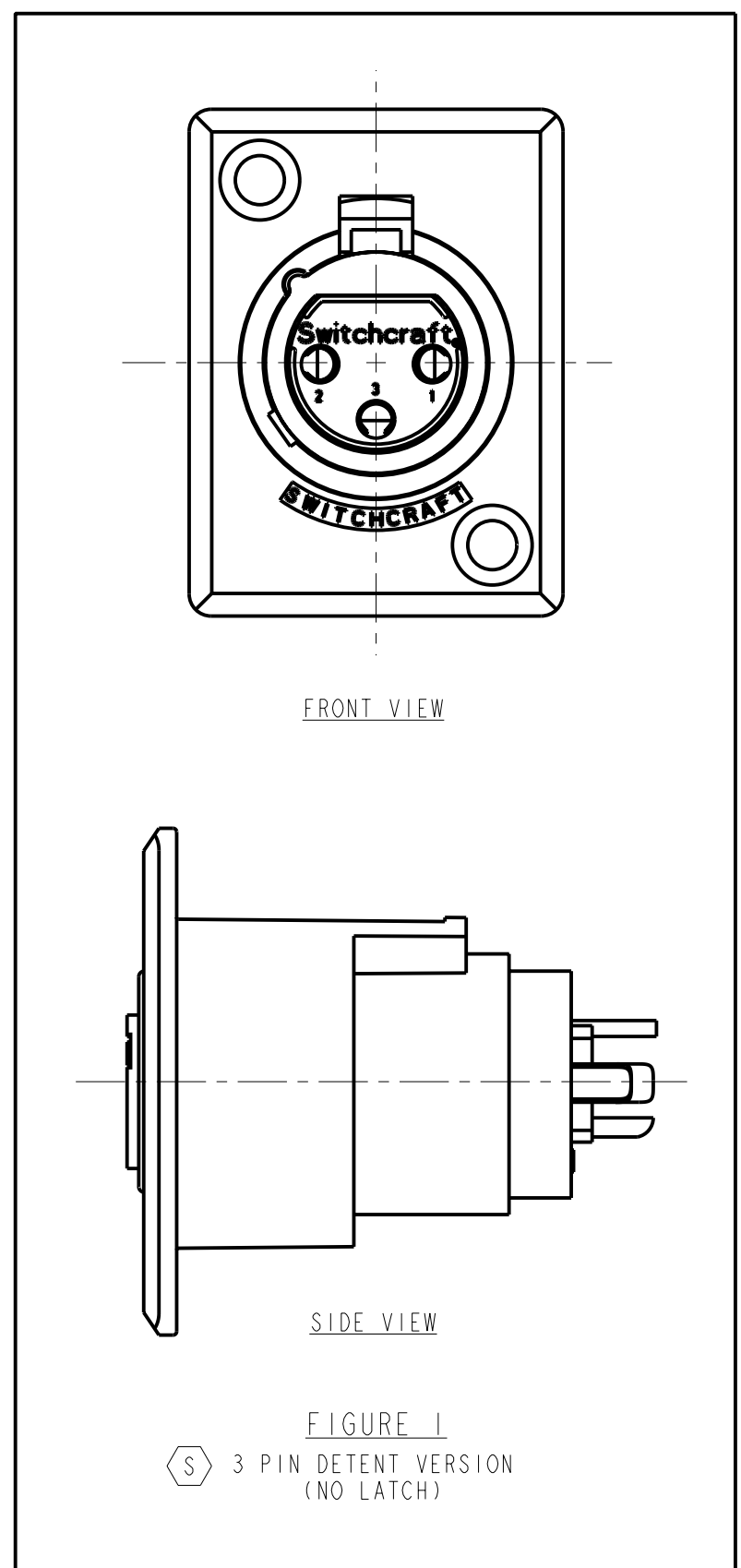
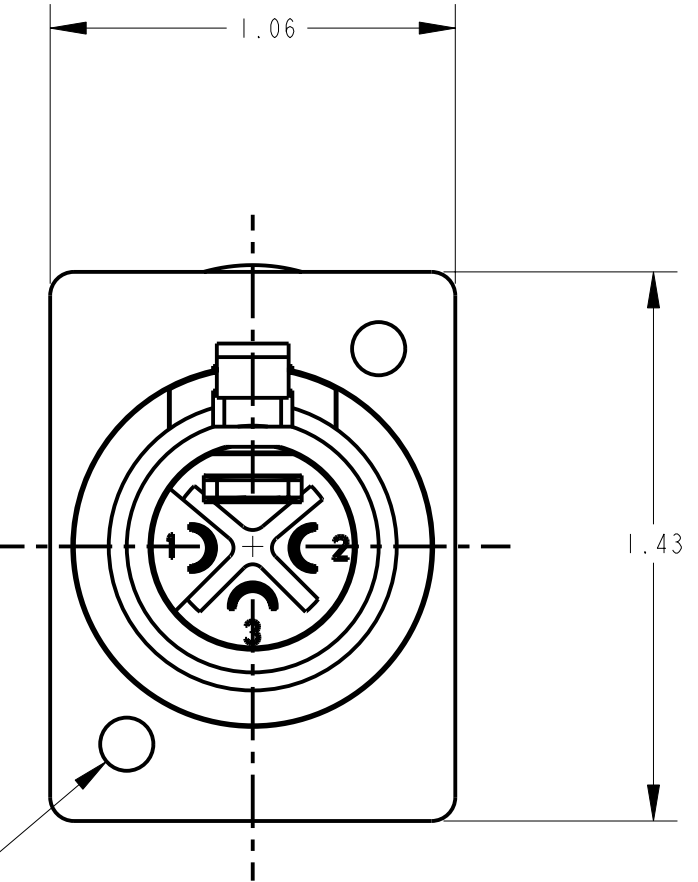
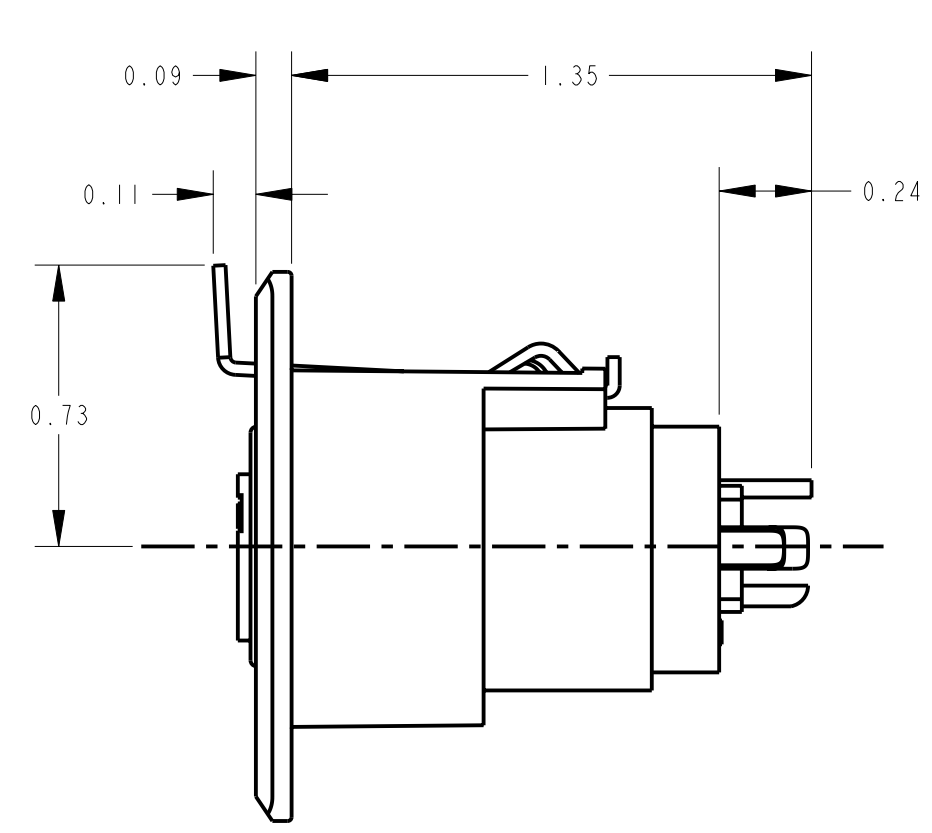
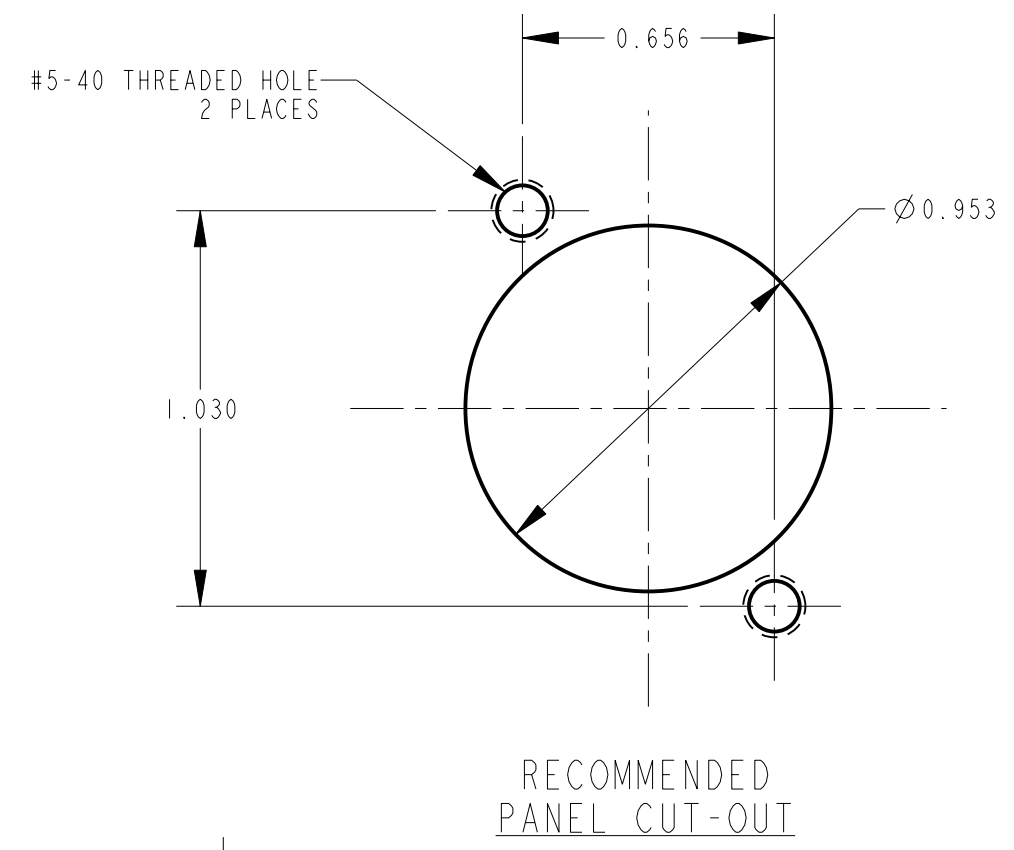
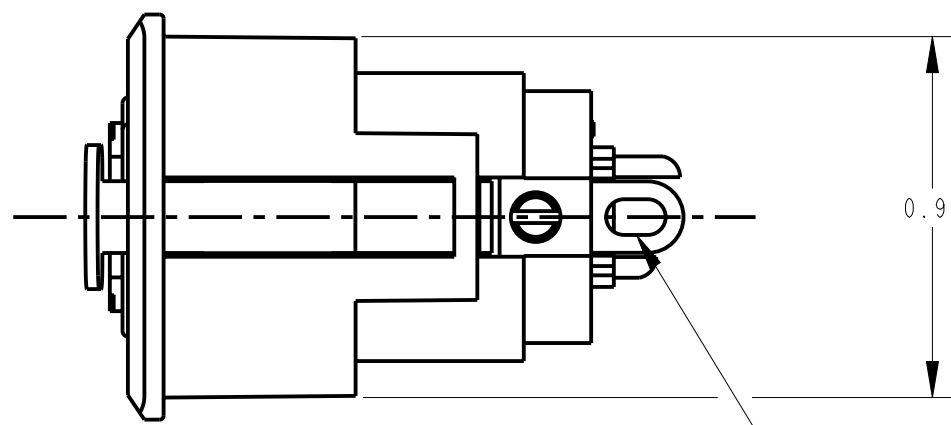


**STANDARD SERIES**

- SCREW - STAINLESS STEEL
  - SHELL - STAINLESS STEEL
  - LATCH BUTTON - ZINC, NICKEL PLATED
  - INSULATOR - POLYESTER, GREEN
  - SOLDER TERMINAL - BRASS, ELECTRO TIN
  - LATCH SPRING - STAINLESS STEEL
  - CONTACT PIN - PHOSPHOR BRONZE, SILVER PLATED
  - HOUSING - ZINC
  - RELEASE LEVER - STEEL, NICKEL PLATED
- CONTACT PLATING:  
BLANK = SILVER (STANDARD)  
AU = GOLD
- HOUSING FINISH:  
BLANK = TEXTURED (STANDARD)  
S = SANDED
- HOUSING PLATING: SEE NOTE 2  
BLANK = NICKEL PLATE (STANDARD)  
BX = BLACK RoHS
- LATCH TYPE:  
BLANK = STANDARD LATCHLOCK  
D = FAS-DIS-CONNECT DETENT (SEE FIGURE 1)  
(NO LATCH)
- NO. OF CONTACTS:  
3 = 3 CONTACTS  
4 = 4 CONTACTS  
5 = 5 CONTACTS  
6 = 6 CONTACTS  
7 = 7 CONTACTS

**PROFESSIONAL SERIES**

- HOUSING FINISH - MATTE CHROME
  - CONTACT PLATING - GOLD
- OGP 62
- NO. OF CONTACTS:  
3 = 3 CONTACTS



- NOTES:
1. ALL DIMENSIONS REF. UNLESS OTHERWISE SPECIFIED.
  2. BLACK HOUSING AND INSERT WITH SATIN NICKEL PLATED LATCH.
  3. THIS PRODUCT IS RoHS COMPLIANT.

REV	ECO NUMBER	DATE	BY	APVD
S	26158	10-4-06	TO	TJK
R	ECO #22895	9-20-99	TJK	TJK

REVISIONS

★ STAR SYMBOL DENOTES CRITICAL DIMENSION

UNLESS OTHERWISE SPECIFIED

1. ALL DIMENSIONS IN INCHES  
- TWO PLACE DECIMALS ±0.01  
- THREE PLACE DECIMALS ±0.005  
- FRACTIONAL DIMENSIONS ±1/64  
- ANGLES ±1°  
- ALL DIA. CONCENTRIC WITHIN 0.005 T.I.R.
2. FEATURES ON THE SAME CENTERLINE MUST BE ALIGNED WITHIN ±0.002
3. REMOVE ALL BURRS

DO NOT SCALE DRAWING

THIS DRAWING DESCRIBES A DESIGN CONSIDERED PROPRIETARY IN NATURE, DEVELOPED AND MANUFACTURED BY SWITCHCRAFT INC. AND IS RELEASED ON A CONFIDENTIAL BASIS FOR IDENTIFICATION PURPOSES ONLY.				
SIZE	WIDTH	MULT	LBS/M	TEMPER
FINISH		SCALE		MATERIAL
SPEC No.		2:1		SPEC No.
FIRST USED ON		DATE DRAWN		BY
7-Feb-94		7-Feb-94		SG
CHKD		APVD		
AA		GHJ		
7-11-94		7-11-94		
NAME				REV
D SERIES FEMALE OG, RoHS				S

CUSTOMER DRAWING

**Switchcraft**

SHEET 1 OF 1

D\_F SERIES

## X-ON Electronics

Largest Supplier of Electrical and Electronic Components

*Click to view similar products for [XLR Connectors](#) category:*

*Click to view products by [Switchcraft](#) manufacturer:*

Other Similar products are found below :

[707-0300](#) [8800235](#) [91101181024](#) [91201231](#) [91214571](#) [A3F01](#) [A3M01](#) [QGP3F](#) [HA16PRQ-3SE\(71\)](#) [AA3FL](#) [AAA4FWZ](#) [AAA4MWZ](#)  
[AC3-MIC](#) [AC4-MIC](#) [AC5FPZB](#) [AC6AFDZV](#) [AC7FDZB](#) [D4FB](#) [DE4MW](#) [DHNF-BAG](#) [E3MBAUSW](#) [NA2FP-UW](#) [NA3MP-UW](#)  
[NC3FBHR1-0](#) [NC3FD-H-0](#) [NC3FK-V](#) [NC3FX-1](#) [NC3FXY-B](#) [NC3MDM3-H-B](#) [NC3MK-V](#) [NC3MXY](#) [NC4FD-LX-0](#) [NC5FX-HD-B](#)  
[NC6FSXX-BAG](#) [NC6MD-LX-BAG](#) [NC6MSX-BAG](#) [RT3FC-B-W-D](#) [91210071096](#) [SL05](#) [99.265.0400.0](#) [A3F04](#) [AC3FG](#) [AC3MMG](#) [AC4-FCP](#) [AC4FPZ](#) [AQG4F](#) [2504FP](#) [30-498-2](#) [R6MZ](#) [CXX-15](#)