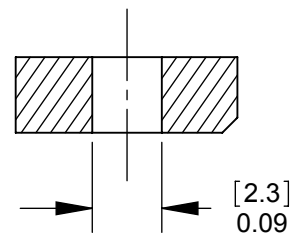
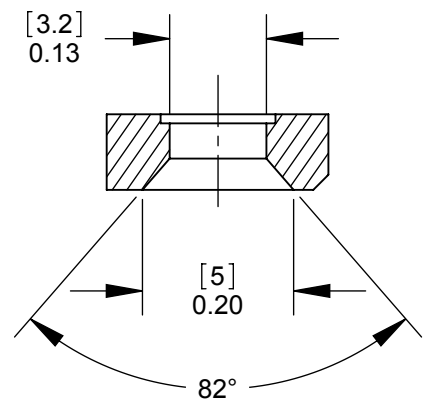


**PD3MSC1  
FRONT MOUNT**  
SECTION A-A  
SCALE 4 : 1



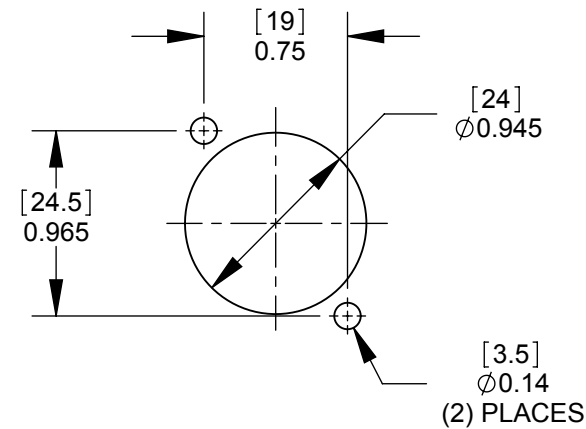
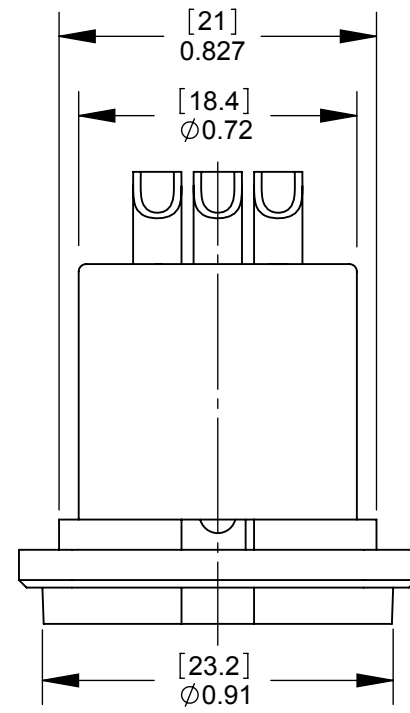
**PD3MSC2  
REAR MOUNT**  
SECTION A-A  
SCALE 4 : 1



**PD3MSC3  
REAR MOUNT**  
SECTION A-A  
SCALE 4 : 1

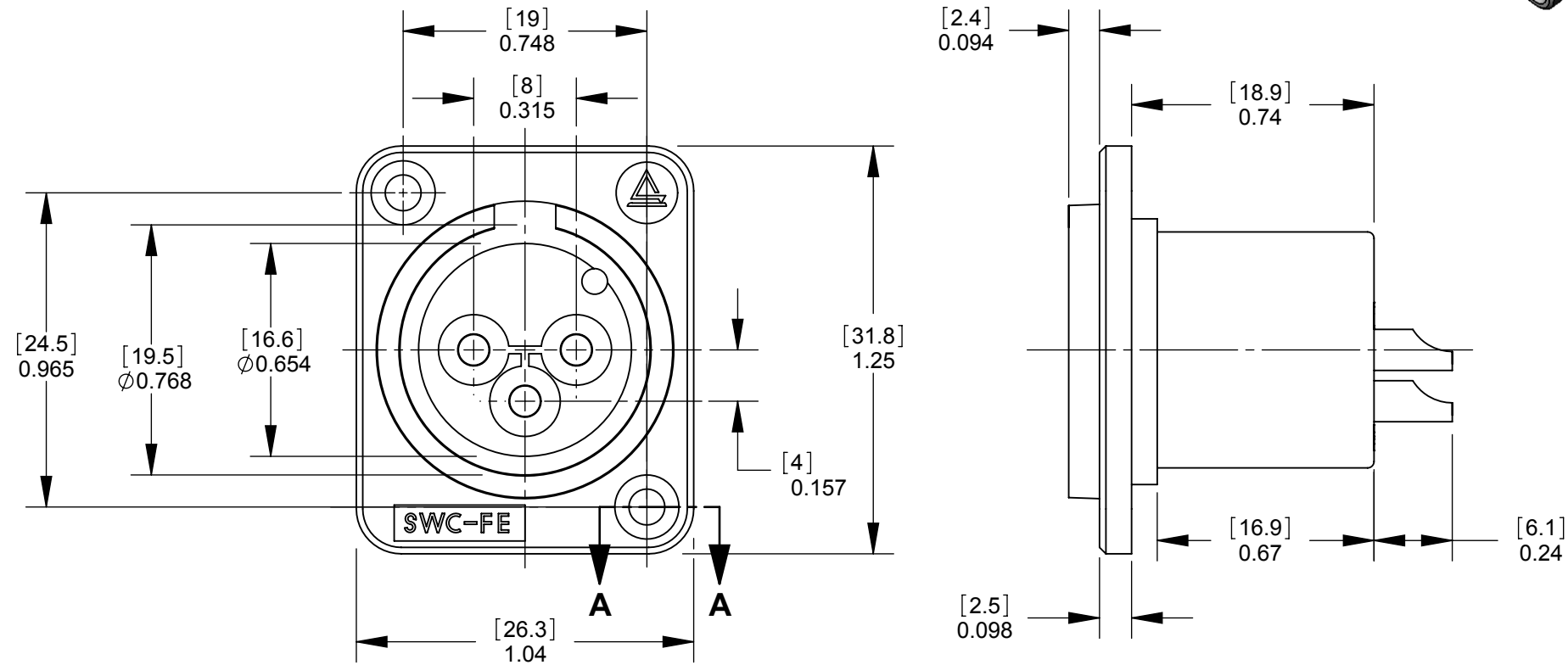
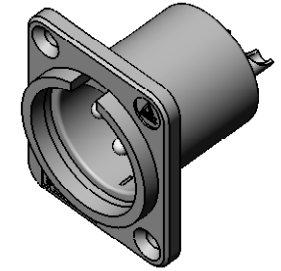
NOTES:

- MATERIALS:  
HOUSING - THERMOPLASTIC, BLACK  
PINS - COPPER ALLOY (SEE TABLE FOR FINISH)
- THESE PRODUCTS ARE RoHS COMPLIANT.



RECOMMENDED  
PANEL CUT-OUT

PART NUMBER	MOUNTING STYLE SEE SECTION A-A	TERMINAL PLATING
PD3MSC1	FRONT MOUNT	SILVER
PD3MSC2	REAR MOUNT	SILVER
PD3MSC3	FRONT MOUNT	SILVER
PD3MSC1AU	FRONT MOUNT	GOLD
PD3MSC2AU	REAR MOUNT	GOLD
PD3MSC3AU	FRONT MOUNT	GOLD



**CUSTOMER DRAWING**

REV	ECO NUMBER	DATE	BY	APVD
A	22118	1/14/98	RS	TJK
REVISIONS				

UNLESS OTHERWISE SPECIFIED

- ALL DIMENSIONS IN INCHES  
- TWO PLACE DECIMALS ±0.02  
- THREE PLACE DECIMALS ±0.005

DO NOT SCALE DRAWING

THIS DRAWING DESCRIBES A DESIGN CONSIDERED PROPRIETARY IN NATURE, DEVELOPED AND MANUFACTURED BY SWITCHCRAFT INC. AND IS RELEASED ON A CONFIDENTIAL BASIS FOR IDENTIFICATION PURPOSES ONLY.

SIZE	WIDTH	MULT	LBS/M	*
FINISH			MATERIAL	
SPEC No.			SPEC No.	
FIRST USED ON		SCALE 2:1		
DATE DRAWN	BY	CHKD	APVD	<b>Switchcraft</b> <sup>®</sup>
4/27/10	RS	RS	TJK	
NAME				PART No.
PLASTIC PANEL MOUNT QG CONNECTOR, SOLDERCUP, RoHS				PD3MSC SERIES
SHEET 1 OF 1				REV A

## X-ON Electronics

Largest Supplier of Electrical and Electronic Components

*Click to view similar products for [XLR Connectors](#) category:*

*Click to view products by [Switchcraft](#) manufacturer:*

Other Similar products are found below :

[707-0300](#) [8800235](#) [91101181024](#) [91201231](#) [91214571](#) [A3F01](#) [A3M01](#) [QGP3F](#) [HA16PRQ-3SE\(71\)](#) [AA3FL](#) [AAA4FWZ](#) [AAA4MWZ](#)  
[AC3-MIC](#) [AC4-MIC](#) [AC5FPZB](#) [AC6AFDZV](#) [AC7FDZB](#) [D4FB](#) [DE4MW](#) [DHNF-BAG](#) [E3MBAUSW](#) [NA2FP-UW](#) [NA3MP-UW](#)  
[NC3FBHR1-0](#) [NC3FD-H-0](#) [NC3FK-V](#) [NC3FX-1](#) [NC3FXY-B](#) [NC3MDM3-H-B](#) [NC3MK-V](#) [NC3MXY](#) [NC4FD-LX-0](#) [NC5FX-HD-B](#)  
[NC6FSXX-BAG](#) [NC6MD-LX-BAG](#) [NC6MSX-BAG](#) [RT3FC-B-W-D](#) [91210071096](#) [SL05](#) [99.265.0400.0](#) [A3F04](#) [AC3FG](#) [AC3MMG](#) [AC4-FCP](#) [AC4FPZ](#) [AQG4F](#) [2504FP](#) [30-498-2](#) [R6MZ](#) [CXX-15](#)