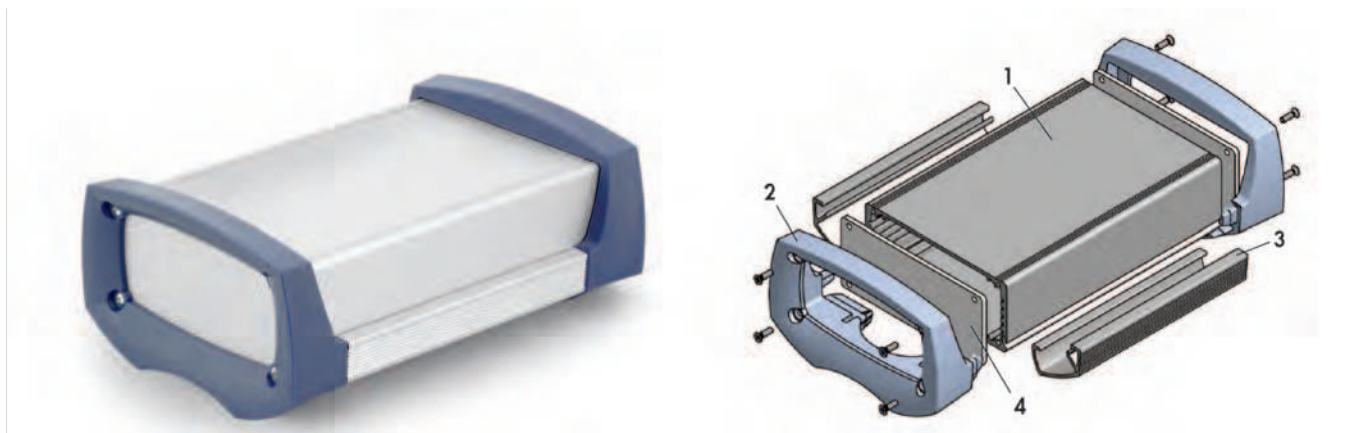


## Design case „Rail“

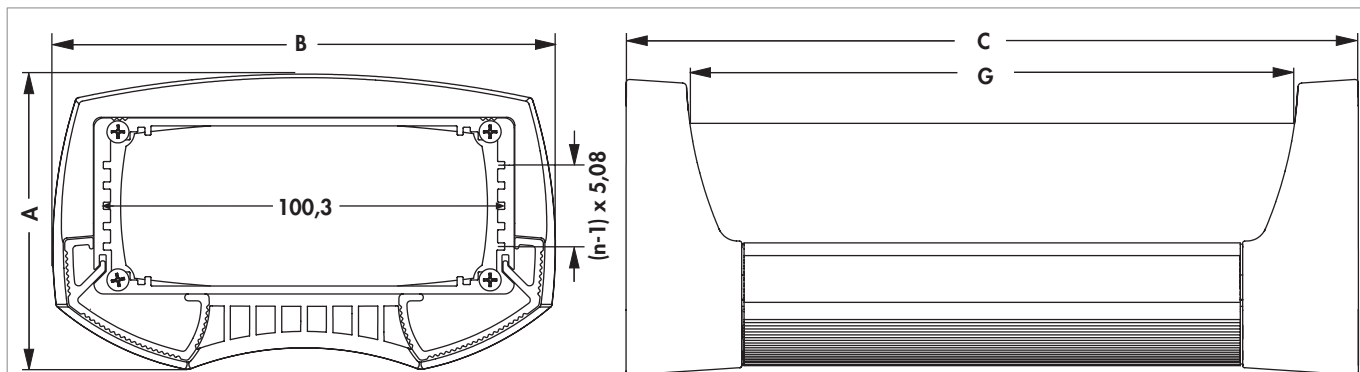


### contents of delivery:

**1** = 1 x basic profile; **2** = 2 x plastic frame (**RAL 5014** pigeon blue oder **RAL 9005** deep black);  
**3** = 2 x handle profile; **4** = 2 x cover plate (3 mm); mounting material

- ergonomic aluminium case, suitable for portable use or as a bench case
  - insertion possibility for 100 mm Eurocards with a grid spacing of 5.08 mm (1 HP)
  - EMC compatible design achieved by means of electrically conductive surface treatment and additional conductive seals **EDKO** → M 49
  - the special shape combined with convenient handling profiles enables safe handling, also for mobile applications
  - shock-proof plastic cover
  - integration possibility for front foils or foil keypads
  - protection class IP 65 achievable by use of seals **IDKO** → M 50
  - the cover plates can be perforated or imprinted according to your specifications
  - further colours and surface treatments upon request
  - combined with the seals **EDKO** → M 49 and **IDKO** → M 50 longer handle profiles are required
- Please indicate with your order!**

**C** = available internals lengths +23 mm



art. no.	dim. [mm]					art. no.	dim. [mm]				
	A	B	C	G	n		A	B	C	G	n
<b>RL 05 100 ...</b>	73.5	125	123	91	5	<b>RL 17 100 ...</b>	135.0	127	123	93	17
<b>RL 05 120 ...</b>	73.5	125	143	111	5	<b>RL 17 120 ...</b>	135.0	127	143	113	17
<b>RL 05 160 ...</b>	73.5	125	183	151	5	<b>RL 17 160 ...</b>	135.0	127	183	153	17
<b>RL 05 200 ...</b>	73.5	125	223	191	5	<b>RL 17 200 ...</b>	135.0	127	223	193	17
<b>RL 05 220 ...</b>	73.5	125	243	211	5	<b>RL 17 220 ...</b>	135.0	127	243	213	17

please indicate:

... colour of plastic cover

**B** = pigeon blue (RAL 5014)  
**S** = deep black (RAL 9005)

... surface

**SA** = black anodised  
**ME** = natural colour anodised  
**MS** = case profile SA, cover panels ME  
**LP** = exterior black lacquered, inside chrome-free transp. passivated

**M 47**

Euro case  
 Combination cases  
 Tube cases  
 Cooling case

→ M 9  
 → M 11 – 17  
 → M 21 – 25  
 → M 35 – 39

Miniature aluminium case  
 Extruded assembled cases  
 Desk consoles  
 Shell cases

→ M 27 – 33  
 → M 5 – 7  
 → M 8  
 → M 2 – 4

## X-ON Electronics

Largest Supplier of Electrical and Electronic Components

*Click to view similar products for [Enclosures, Boxes, & Cases](#) category:*

*Click to view products by [Fisher](#) manufacturer:*

Other Similar products are found below :

[CR-425 PAINTED](#) [585-R-WH-PK](#) [M-10-PLATED](#) [60221-01](#) [60566-01-000](#) [HPL-9VB BATT DOOR](#) [M-16-LID-PLATED](#) [M18-PLTD](#) [M-21-LID-PLATED](#) [M-21-PLATED](#) [M-23-PLATED](#) [CU-281-MB](#) [6711GSKT](#) [71884-29-028](#) [LH45-100 Black](#) [7200B](#) [72868-510-000](#) [CNS-0000 Black](#) [72883-510-000](#) [CNS-0101 Black](#) [72906-510-000](#) [CNS-0407 Black](#) [73091-510-000](#) [CNM-0000-BLACK Kit](#) [73092-510-000](#) [CNM-0101 Black](#) [73108-510-000](#) [CNL-0303 Black](#) [73395-510-039](#) [CNS-0006 Bone](#) [74257-510-000](#) [CNL-0004](#) [MDC-1183-PLAIN-ALUM](#) [MDC-1183-PTD](#) [MDC-13104-PLAIN-ALUM](#) [MDC-211 - PAINTED IVORY/BEIGE](#) [MDC-321-PTD](#) [MDC-432-PLAIN-ALUM](#) [MDC-973-PTD](#) [76](#) [77153-01-028](#) [FLX6030](#) [83535-01-508](#) [PS-11296-G](#) [PS-11298-B](#) [116-508](#) [120-407](#) [120-412](#) [120-909](#) [120-455](#) [R272-100-000](#) [120-910](#) [R501-001-010](#) [R508-080-000](#) [R508-160-000](#) [R530-120-000](#) [R530-122-000](#) [R530-200-000](#) [R531-160-000](#) [R531-200-000](#) [R582-080-100](#)