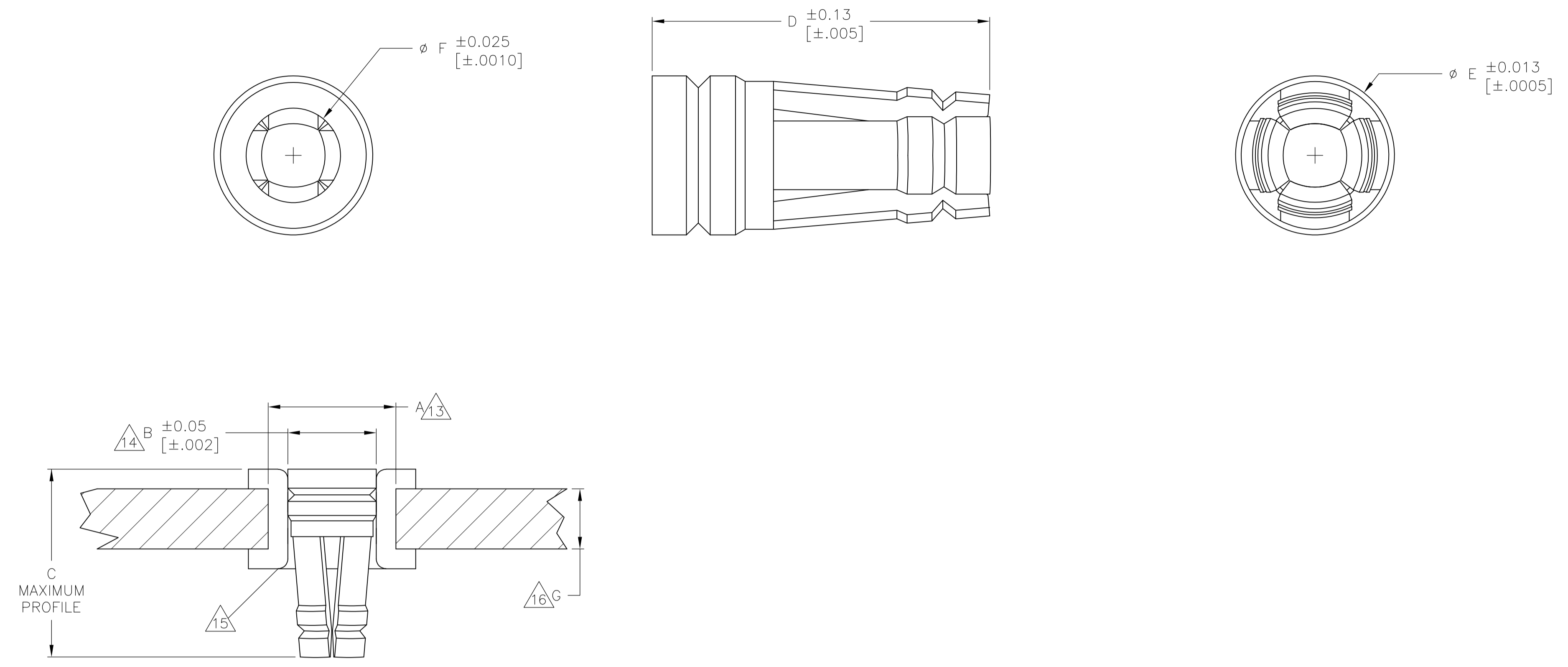


LOC		DIST		REVISIONS			
P	LTR	DESCRIPTION	DATE	DN	APVD		
C3	REV PER ECO	14-015891	10-21-14	CT	RG		



PLATED-THROUGH-HOLE REQUIREMENTS
SCALE 25:1

- 1 BERYLLIUM COPPER PER ATSM B197.
- 2 .000635 [.000025] MIN. GOLD OVER .001270 [.000050] MIN. NICKEL.
- 3 .000762 [.000030] MIN. GOLD OVER .001270 [.000050] MIN. NICKEL.
- 4 .002032 [.000080] MIN. MATTE TIN-LEAD OVER .001905 [.000075] MIN. COPPER.
- 5 QUALIFIED TO MILITARY SPECIFICATION MIL-DTL-83505/6
- 6 ROUND LEAD DIAMETER 0.41-0.53 [.016-.021].
- 7 ROUND LEAD DIAMETER 0.51-0.76 [.020-.030].
- 8 ROUND LEAD DIAMETER 0.64-0.89 [.025-.035].
- 9 ROUND LEAD DIAMETER 0.89-1.14 [.035-.045].
- 10 RECTANGULAR LEAD SIZE 0.28X0.46±0.05 [.011X.018±.002].
- 11 RECTANGULAR LEAD SIZE 0.64 SQ. [.025 SQ.].
- 12 LOW INSERTION/WITHDRAWAL FORCE PRODUCT.
- 13 NOMINAL DRILL SIZE FOR PRIMARY HOLE.
- 14 FINISHED HOLE DIAMETER.
- 15 PLATED-THRU HOLE FINISH: 0.0076-0.0127 [.0003-.0005] TIN-LEAD OVER 0.001 [.0254] MIN. COPPER
- 16 MINIMUM THICKNESS FOR THE CIRCUIT BOARD.
- 17 OVERSIZED PRODUCT- FOR USE WHEN THE FINISHED HOLE DIAMETER EXCEEDS 1.15 [.0453] BY 0.05 [.002] OR LESS.
- 18 THESE PRODUCTS ARE BULK PACKAGED.
- 19 .002032 [.000080] MIN. MATTE TIN (LEAD FREE) OVER .001905 [.000075] MIN COPPER
- 20 PRELIMINARY PART, NOT RELEASED FOR PRODUCTION.
- 21 .0046 [.000180] MIN TIN
- 22 OBSOLETE PARTS: OBSOLETE CIS STREAMLINING PER D.RENAUD/D.SINISI

22 OBSOLETE

0.76 [.030]	1.07 [.042]	1.588 [.0625]	3.45 [.136]	3.56 [.140]	1.47 [.058]	1.61 [.0635]	10,000	8 11	-	4	8134-HC-8P3	2-1437506-8
0.76 [.030]	.097 [.038]	1.588 [.0625]	3.45 [.136]	3.56 [.140]	1.47 [.058]	1.61 [.0635]	10,000	7	-	2	8134-HC-8P2	2-1437506-7
0.76 [.030]	0.66 [.026]	1.118 [.0440]	2.39 [.094]	2.54 [.100]	1.04 [.041]	1.15 [.0453]	10,000	6 10	-	4	8134-HC-6P3	2-1437506-5
0.76 [.030]	0.66 [.026]	1.118 [.0440]	2.39 [.094]	2.54 [.100]	1.04 [.041]	1.15 [.0453]	10,000	6 10	-	2	8134-HC-6P2	2-1437506-4
0.76 [.030]	0.74 [.029]	1.168 [.0460]	2.39 [.094]	2.54 [.100]	1.09 [.043]	1.150 [.0453]	10,000	6 10	-	4	8134-HC-5P3	2-1437506-1
0.76 [.030]	0.74 [.029]	1.168 [.0460]	2.39 [.094]	2.54 [.100]	1.09 [.043]	1.150 [.0453]	10,000	6 10	-	2	8134-HC-5P2	2-1437506-0
1.27 [.050]	1.32 [.052]	2.184 [.0860]	3.96 [.156]	4.06 [.160]	2.08 [.082]	2.22 [.0875]	10,000	9	-	4	8134-HC-14P3	1-1437506-7
1.27 [.050]	1.32 [.052]	2.184 [.0860]	3.96 [.156]	4.06 [.160]	2.08 [.082]	2.22 [.0875]	10,000	9	-	2	8134-HC-14P2	1-1437506-6
1.27 [.050]	1.32 [.052]	2.184 [.0860]	3.96 [.156]	4.06 [.160]	2.08 [.082]	2.22 [.0875]	10,000	9	-	4	8134-HC-12P3	1-1437506-4
1.27 [.050]	1.32 [.052]	2.184 [.0860]	3.96 [.156]	4.06 [.160]	2.08 [.082]	2.22 [.0875]	10,000	9	-	2	8134-HC-12P2	1-1437506-3
0.76 [.030]	1.07 [.042]	1.588 [.0625]	3.45 [.136]	3.56 [.140]	1.47 [.058]	1.61 [.0635]	50,000	8 11	-	9	8134-HC-8P3LF	8-1437514-8
0.76 [.030]	0.66 [.026]	1.118 [.0440]	2.39 [.094]	2.54 [.100]	1.04 [.041]	1.15 [.0453]	50,000	6 10	-	4	8134-HC-27P4	6-1437514-5
0.76 [.030]	0.66 [.026]	1.118 [.0440]	2.39 [.094]	2.54 [.100]	1.04 [.041]	1.15 [.0453]	50,000	6 10	-	2	8134-HC-27P3	4-147699-4
0.76 [.030]	0.74 [.029]	1.168 [.0460]	2.39 [.094]	2.54 [.100]	1.09 [.043]	1.15 [.0453]	50,000	6 10	-	21	8134-HC-14P3	6-1437514-2
0.76 [.030]	0.74 [.029]	1.168 [.0460]	2.39 [.094]	2.54 [.100]	1.09 [.043]	1.15 [.0453]	50,000	6 10	-	2	8134-HC-14P2	6-1437514-1
1.27 [.050]	1.32 [.052]	2.184 [.0860]	3.96 [.156]	4.06 [.160]	2.08 [.082]	2.22 [.0875]	50,000	9	-	4	8134-HC-12P3	6-1437514-0
1.27 [.050]	1.32 [.052]	2.184 [.0860]	3.96 [.156]	4.06 [.160]	2.08 [.082]	2.22 [.0875]	50,000	9	-	19	8134-HC-12P3LF	8-1437514-9
0.76 [.030]	1.07 [.042]	1.588 [.0625]	3.45 [.136]	3.56 [.140]	1.47 [.058]	1.61 [.0635]	50,000	8 11	M83505/6-004	3	8134-HC-12P2	7-1437514-9
0.76 [.030]	1.07 [.042]	1.588 [.0625]	3.45 [.136]	3.56 [.140]	1.47 [.058]	1.61 [.0635]	50,000	8 11	-	2	8134-HC-12P2	5-1437514-9
0.76 [.030]	1.07 [.042]	1.588 [.0625]	3.45 [.136]	3.56 [.140]	1.47 [.058]	1.61 [.0635]	50,000	8 11	M83505/6-003	3	8134-HC-8P3	7-1437514-1
0.76 [.030]	1.07 [.042]	1.588 [.0625]	3.45 [.136]	3.56 [.140]	1.47 [.058]	1.61 [.0635]	50,000	8 11	-	4	M8134-HC-8P2	8-1437514-2
0.76 [.030]	1.07 [.042]	1.588 [.0625]	3.45 [.136]	3.56 [.140]	1.47 [.058]	1.61 [.0635]	50,000	8 11	-	2	8134-HC-8P2	7-1437514-0
0.76 [.030]	.097 [.038]	1.588 [.0625]	3.45 [.136]	3.56 [.140]	1.47 [.058]	1.61 [.0635]	50,000	7	-	19	8134-HC-6P3LF	9-1437514-1
0.76 [.030]	.097 [.038]	1.588 [.0625]	3.45 [.136]	3.56 [.140]	1.47 [.058]	1.61 [.0635]	50,000	7	M83505/6-002	3	8134-HC-6P3	6-1437514-9
0.76 [.030]	.097 [.038]	1.588 [.0625]	3.45 [.136]	3.56 [.140]	1.47 [.058]	1.61 [.0635]	50,000	7	-	3	M8134-HC-6P2	8-1437514-1
0.76 [.030]	.097 [.038]	1.588 [.0625]	3.45 [.136]	3.56 [.140]	1.47 [.058]	1.61 [.0635]	50,000	7	-	2	8134-HC-6P2	6-1437514-8
0.76 [.030]	.097 [.038]	1.588 [.0625]	3.45 [.136]	3.56 [.140]	1.47 [.058]	1.61 [.0635]	50,000	7	-	19	8134-HC-5P3LF	9-1437514-0
0.76 [.030]	.097 [.038]	1.588 [.0625]	3.45 [.136]	3.56 [.140]	1.47 [.058]	1.61 [.0635]	50,000	7	-	4	8134-HC-5P3	6-1437514-7
0.76 [.030]	.097 [.038]	1.588 [.0625]	3.45 [.136]	3.56 [.140]	1.47 [.058]	1.61 [.0635]	50,000	7	M83505/6-001	3	M8134-HC-5P2	8-1437514-0
0.76 [.030]	.097 [.038]	1.588 [.0625]	3.45 [.136]	3.56 [.140]	1.47 [.058]	1.61 [.0635]	50,000	7	-	2	8134-HC-5P2	6-1437514-6

THIS DRAWING IS A CONTROLLED DOCUMENT.

DIMENSIONS: mm

TOLERANCES UNLESS OTHERWISE SPECIFIED:

0 PLC	±	-
1 PLC	±	-
2 PLC	±	0.13 [.005]
3 PLC	±	-
4 PLC	±	-

ANGLES: ± -

MATERIAL: 1

FINISH: SEE TABLE

THIS DRAWING IS A CONTROLLED DOCUMENT.

DIN M. BINNER 16MAY01

CHK: J. MOSIER

APVD: -

NAME: -

PRODUCT SPEC: 108-1979

APPLICATION SPEC: 114-13033

WEIGHT: -

CUSTOMER DRAWING

SCALE: NTS

SHEET: 1 of 1

REV: C3

STE TE Connectivity

HOLITE CONTACTS

X-ON Electronics

Largest Supplier of Electrical and Electronic Components

Click to view similar products for [IC & Component Sockets](#) category:

Click to view products by [TE Connectivity](#) manufacturer:

Other Similar products are found below :

[714-43-102-31-012000](#) [0066-3-17-15-30-14-02-0](#) [0134-0-15-15-32-27-04-0](#) [614-DG5](#) [6527-0-00-15-00-00-03-0](#) [670](#) [672](#) [673](#) [712-93-120-41-001000](#) [714-93-104-31-018000](#) [8059-4G1-LF](#) [807-22-001-10-001101](#) [807-22-001-10-003101](#) [807-22-001-10-004101](#) [807-22-001-10-006101](#) [807-22-001-30-011101](#) [807-22-001-30-012101](#) [807-22-001-30-013101](#) [807-22-001-30-014101](#) [8-1437531-4](#) [8150-6P10](#) [833-93-034-10-001000](#) [835-43-014-10-001000](#) [851-41-006-10-001000](#) [851-43-008-20-001000](#) [851-43-014-20-001000](#) [851-93-006-20-001000](#) [851-93-010-20-001000](#) [852-10-026-10-001000](#) [853-43-020-10-001000](#) [86.010.0053.0](#) [116-43-306-41-003000](#) [116-43-308-41-007000](#) [116-87-308-41-007101](#) [PX-68LCC](#) [PX-84LCC](#) [121-13-318-41-001000](#) [121-13-320-41-001000](#) [121-13-308-41-001000](#) [123-43-314-41-801000](#) [123-43-420-41-001000](#) [123-43-636-41-001000](#) [123-87-320-41-001101](#) [122-13-316-41-001000](#) [123-13-624-41-001000](#) [123-43-306-41-001000](#) [123-43-322-41-801000](#) [123-43-428-41-001000](#) [123-43-624-41-001000](#) [12-3513-11](#)