

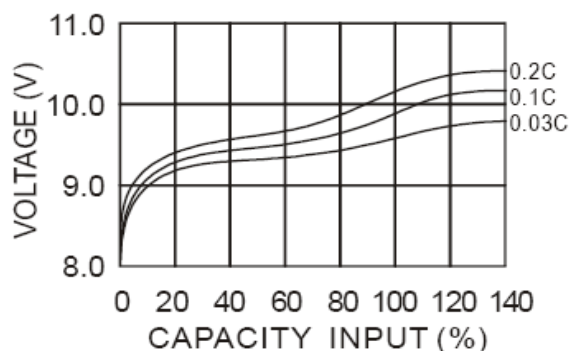
Nominal Voltage :	8.40 V
Open Circuit Voltage :	≥ 10.00 V after 16h/0.1C charge
Nominal Capacity	280 mAh at 0.2C discharge to 7.0V after 16h/0.1C charge*
Weight ± 5 g :	52 g
Int. Resistance :	≤800 mΩ at 1 kHz



Charge Characteristics

Standard Charge :	15 h x 0.1 C (28mA)
Fast Charge :	7.5h x 0.2 C (56mA)
Trickle Charge :	0.03 C (8.4mA)

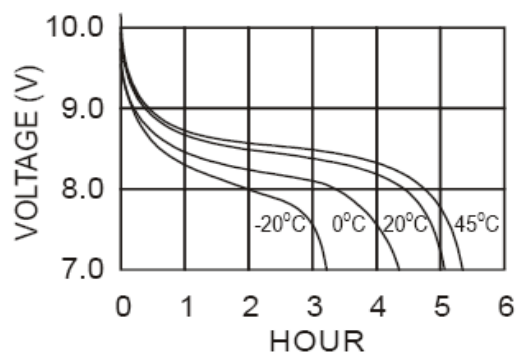
TYPICAL CHARGE CURVE



Discharge Characteristics

end 7.0 V	
0.2 C (56mA)*	300 min
1.0 C (280mA)*	55 min

TYPICAL DISCHARGE CURVE



Performance Characteristics

Storage Temperature :	min -20 °C	max 40°C
Operating Temperature :	min -10 °C	max 45°C
Cycle life test :	IEC standard	> 500 cycles

Cycle life performance (IEC)

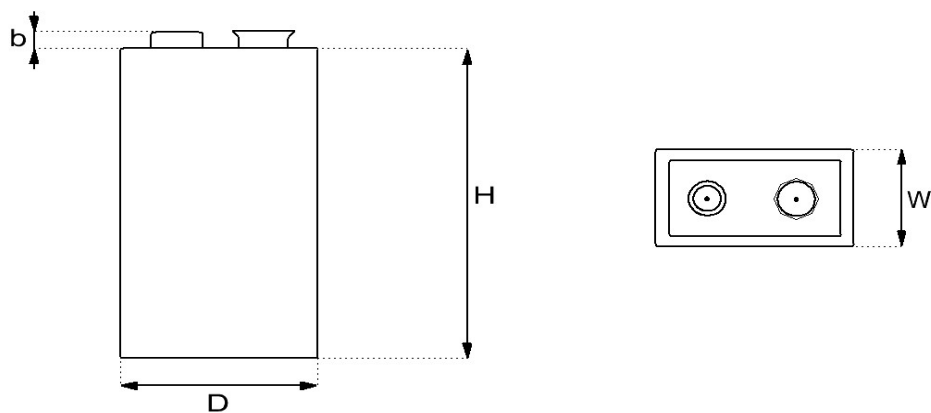
Cycle number	Charge	Rest	Discharge
1	0.1C / 16 h	no	0.25 C 2.33 h
2 to 48	0,25 C / 3.17 h	no	0.25 C / 2.33 h
49	0.25C / 3.17 h	no	0.25 C to 7.0 V
50	0.1C / 16 h	1-4 h	0.25 C to 7.0 V

The endurance test is considered complete when two such successive cycles give a discharge duration less than 3 h of any 50th cycle

Safety Performance

Drop test	Drop to an concrete floor from a height of 75 cm 4 times after fully charge and discharge	No machanical and electrical abnormality
Short-circuit	Short-circuit for 2 hours with 0,75qmm wire after fully charge and discharge	No explosion
Overcharge test 1	Charge 0.1C / 16h, charge 0.1C / 48h rest 1h, discharge 0.1C to 7.0V	Discharge time should be > 5h
Overcharge test 2	Charge 1.0C (-dV:5mV), rest 10 min, charge 1.7A (-dV:5mV) rest 10 min, charge 1.0C (-dV:5mV)	No leakage should occurr
Drop-overcharge	Discharge 1.0C to 7.0 V, discharge 0.2C to 1.0 V, drop to an concrete floor 3 times, charge 1.0C / 5h	No explosion
Drop short-circuit	Charge 0.1C / 16h, drop to an concrete floor 3 times, short-circuit for 2 hours with 0,75qmm wire	No explosion

Dimensions



Height (H) $\pm 0.25\text{mm}$	45.25 mm
Length (D) $\pm 0.25\text{mm}$	17.25 mm
Width (W) $\pm 0.25\text{mm}$	26.00 mm
Nipple height (b) $\pm 0.25\text{mm}$	3.00 mm

Don't disassemble and don't mix with used or other battery types.
Don't dispose to fire.
Remove batteries when not in use for long periods.

X-ON Electronics

Largest Supplier of Electrical and Electronic Components

Click to view similar products for [Battery Packs](#) category:

Click to view products by [Tecxus](#) manufacturer:

Other Similar products are found below :

[2280309-1](#) [R101-B](#) [4114 210 501](#) [4120 210 501](#) [4600 726 406](#) [4610 726 406](#) [312G-U1](#) [55615703012](#) [3LR12](#) [4103 210 392](#) [4103 210 394](#)
[4106 210 392](#) [4106 210 394](#) [4223 210 501](#) [4606 726 406](#) [4607 726 406](#) [ZA13](#) [LR03/AAA/MN2400\(K4\)](#) [LR03 MAXELL S4](#) [LR1130](#)
[MAXELL B10](#) [LR14-MN1400-C K2](#) [LR1/910A](#) [LR41 MAXELL B10](#) [LR43](#) [LR43 MAXELL B10](#) [LR6 MAXELL S4](#) [11012](#) [E23A](#) [E90](#)
[625302](#) [625304](#) [637871](#) [638006](#) [6LF22/9V/MN1604\(K1\)C&B](#) [6LF22/9V/MN1604 PLUS](#) [6LR61](#) [SR626SW MAXELL](#) [SR920SW](#)
[MAXELL](#) [7K67 J](#) [55615303059](#) [GP14A S2](#) [GP15E](#) [GP1604GLF-2UE1](#) [GP 1604 ULTRA PLUS](#) [23733](#) [10 ET](#) [675 ET](#) [11A B5](#) [A544](#) [A76-](#)
[U10](#)