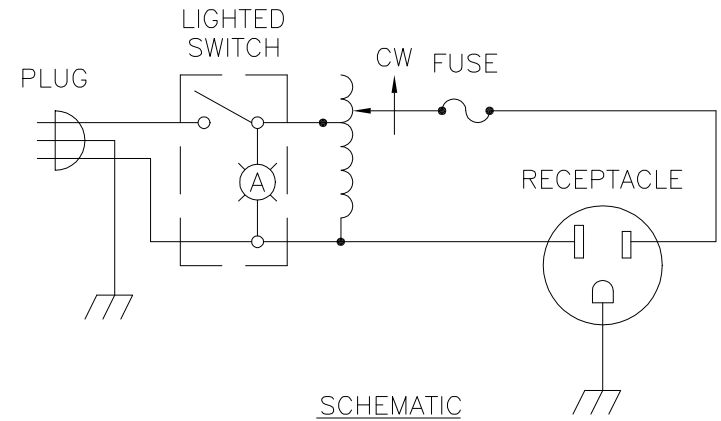
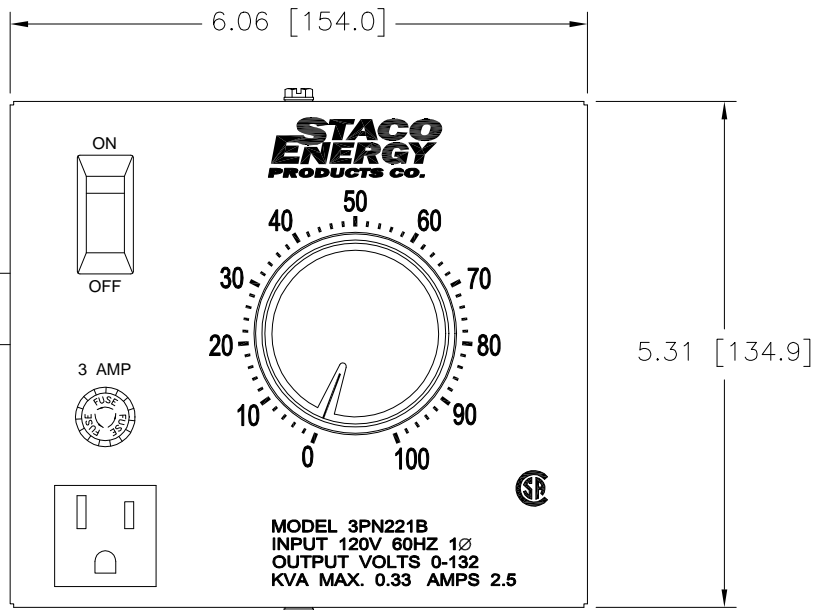
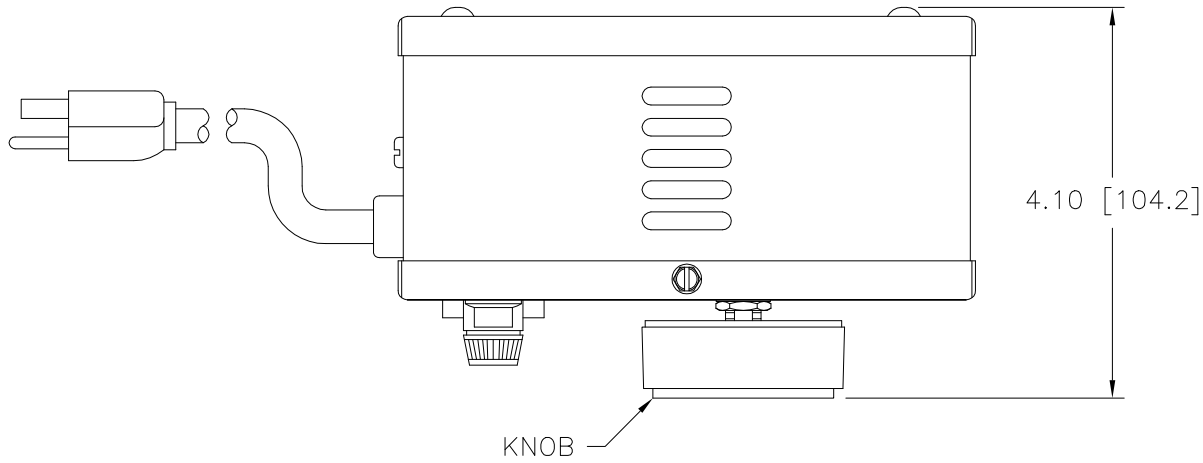


DWG. SIZE <b>C</b>	DWG. NO. <b>031-0157</b>		
REVISIONS			
SYM.	E.C.N.	DATE	APVD.
<b>A</b>	25165	7/8/03	ADDED CSA LOGO



SPECIFICATIONS					
WIRING	INPUT		OUTPUT		
	VOLTS	HERTZ	VOLTS	CONSTANT CURRENT LOAD	
SINGLE PHASE	120	60	0-132	MAX. AMPS	MAX. KVA
				2.50	0.33

UNLESS OTHERWISE SPECIFIED, TOLERANCE IS ±			
DECIMALS	HOLES	ANGLES	DRAFT
.XX	.0003	.002	1°
.XXX	.005		1-1/2°
MATERIAL :			
ALL DIMENSIONS APPLY AFTER PLATING			
The information and design disclosed herein was originated by and is the property of STACO ENERGY PRODUCTS CO., which reserves all patent, proprietary, design, manufacturing, reproduction, use and sale rights thereto, and to any article disclosed therein except to the extent rights are expressly granted to others. The foregoing does not apply to vendor proprietary parts.			

TITLE: SPEC. CONTROL DRAWING VARIABLE TRANSFORMER MODEL: 3PN221B			
DRAWN BY S.A. SMITH	DATE 1/23/97	FIRST USED ON	DO NOT SCALE DWG.
CHECKER	DATE	WEIGHT APPROX. 4.50 LBS	CAGE CODE 83008
ENGINEER	DATE	SCALE 1=1	SHEET 1 OF 1

**STACO ENERGY PRODUCTS CO.**  
A Components Corporation of America Company  
302 Gadsden Boulevard Dayton, Ohio 45403 USA

DWG. SIZE <b>C</b>	DWG. NO. <b>031-0157</b>
-----------------------	-----------------------------

## X-ON Electronics

Largest Supplier of Electrical and Electronic Components

*Click to view similar products for [Industrial Control Transformers](#) category:*

*Click to view products by [Staco](#) manufacturer:*

Other Similar products are found below :

[HS12F3AS](#) [HS14F2BS](#) [HS1B150](#) [HT5F9AS](#) [2929013T00](#) [2124130T01](#) [2124131T00](#) [TCT40-05E07K](#) [HS10B150](#) [HS14F2BS](#) [HS19B250](#)  
[PA2358NL](#) [TCT40-06E07AB](#) [HS10F3AS](#) [201](#) [511](#) [1510CT](#) [SGE2687-1G](#) [171](#) [F-109U](#) [TCT40-07E07AB](#) [SD-1010](#) [291](#) [221-B](#) [90-T50F3](#)  
[E500JL](#) [E250JL](#) [3PN1010B](#) [1210B](#) [3PN1510B](#) [3PN221B](#) [501C](#) [2520](#) [HS14F3BS](#) [CE1000MH](#) [CE1000TH](#) [CE1500MH](#) [CE2000MH](#) [E050](#)  
[E050D](#) [E050E](#) [E050TE](#) [E050TF](#) [E050TH](#) [E050WA](#) [E075](#) [E075E](#) [E075W](#) [E100](#) [E1000](#)