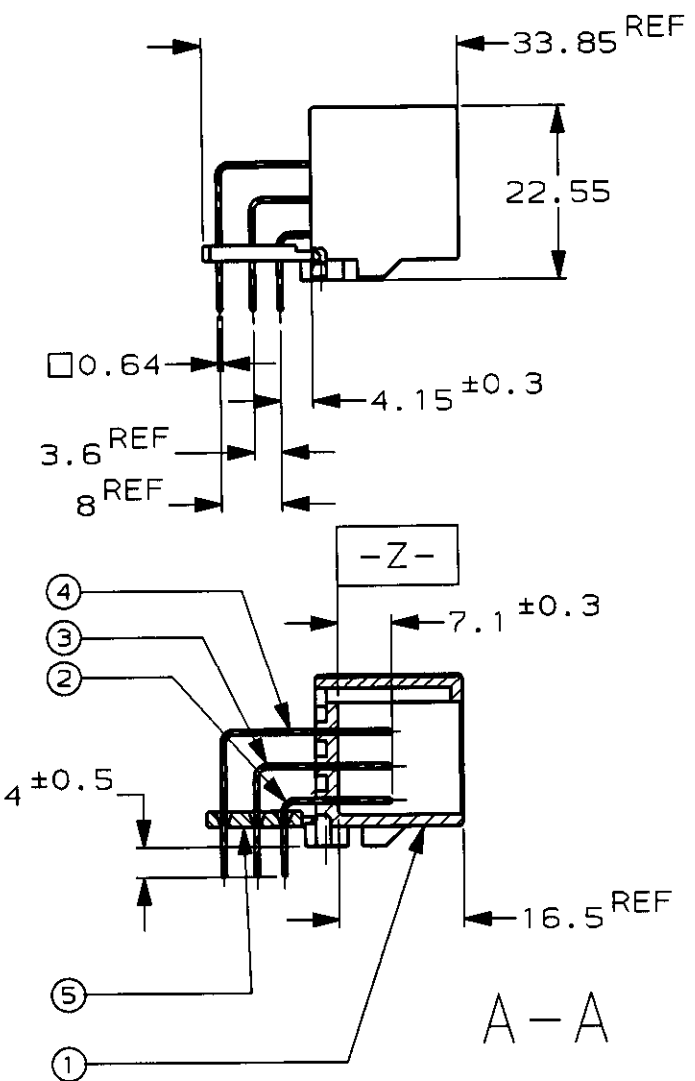
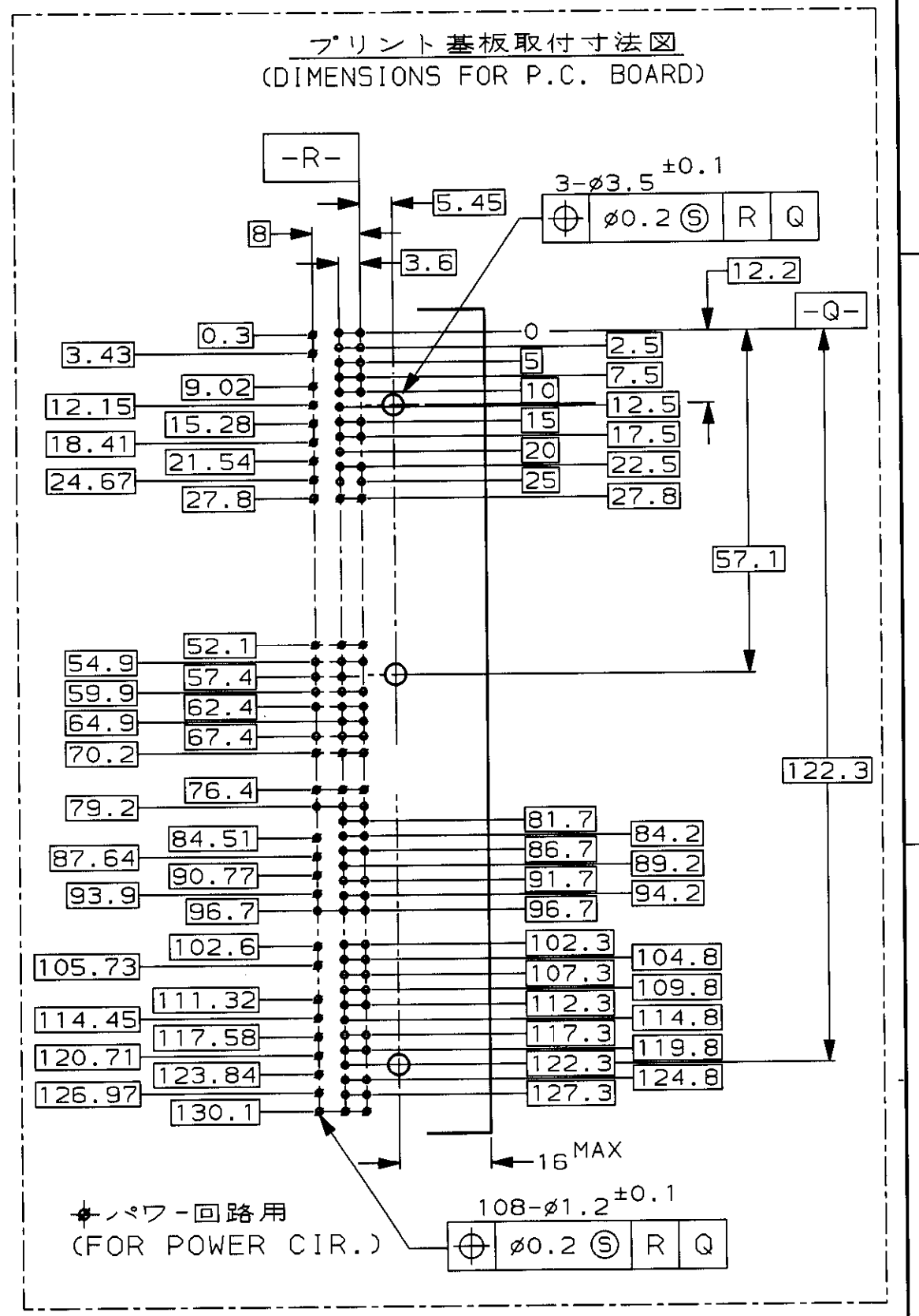
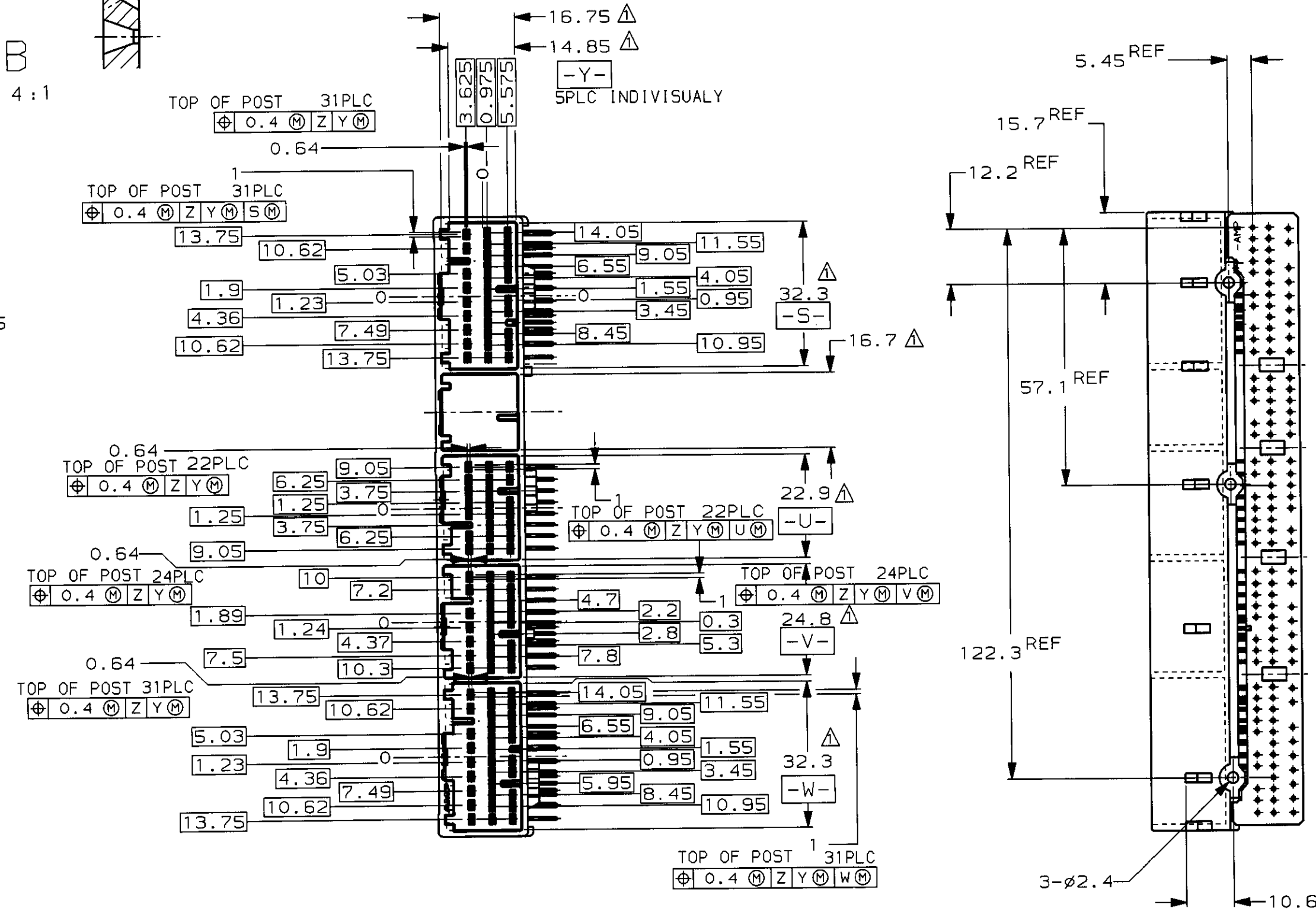
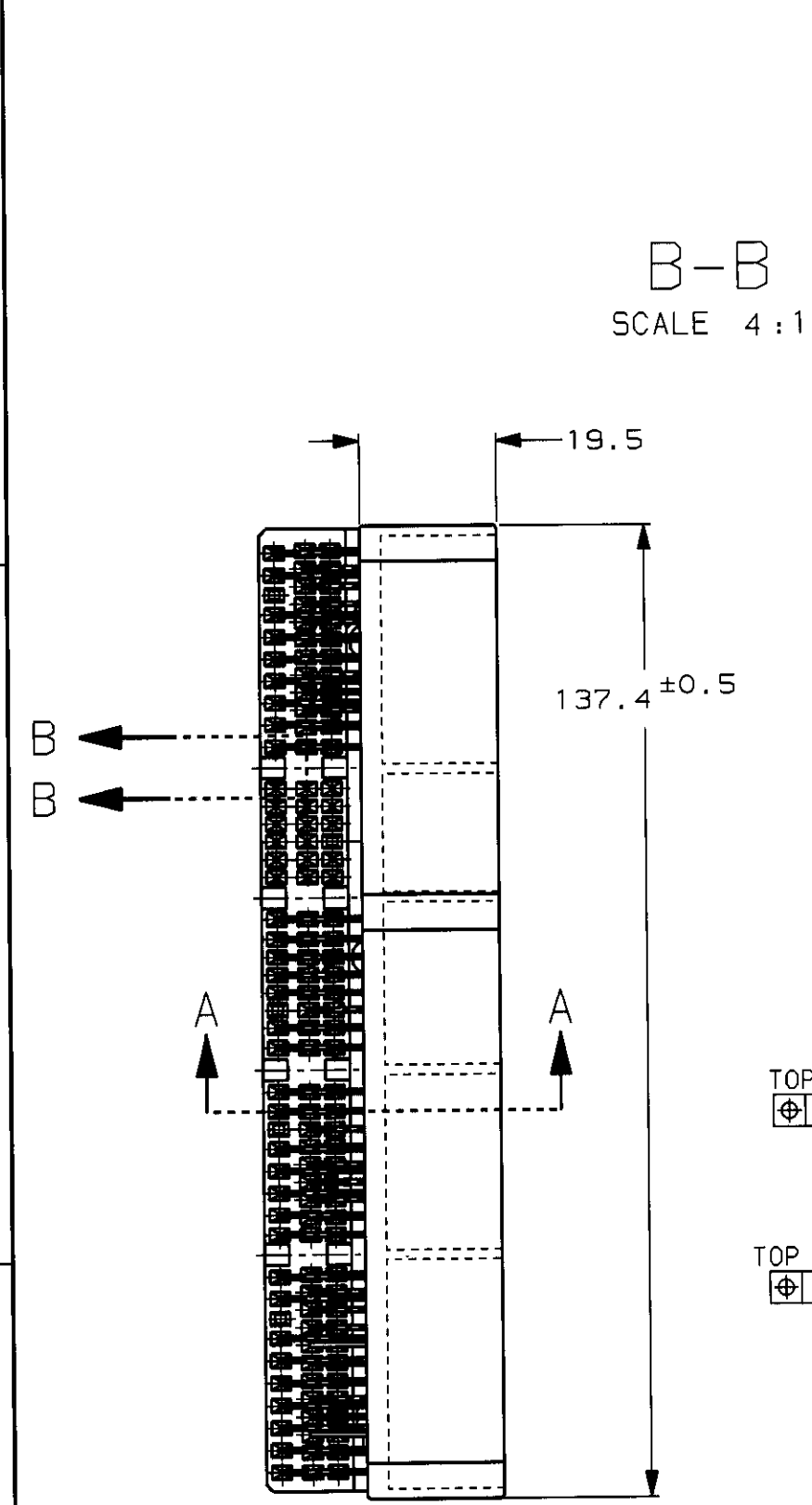
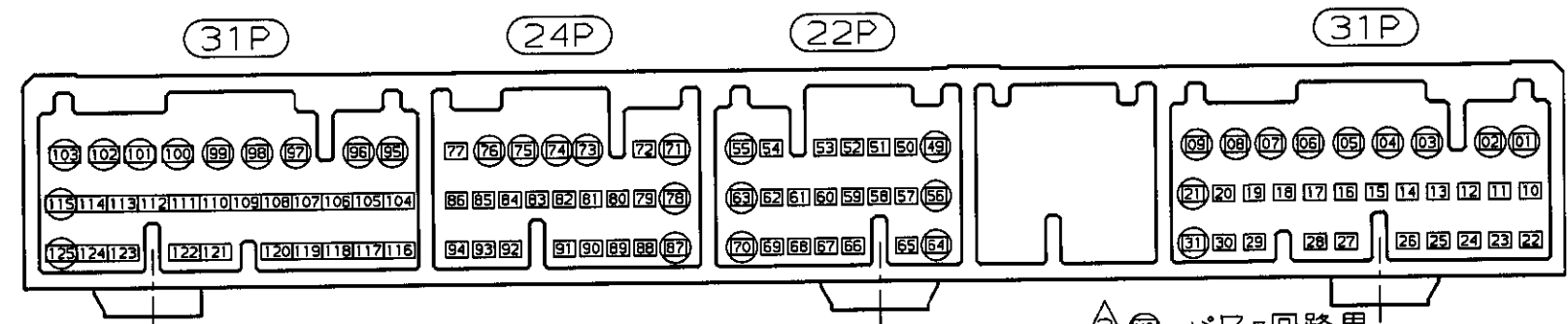


REVISIONS						
REV	DATE	BY	CHK	APVD	DESCRIPTION	ECN
0	30SEP99	YF	KO		DRAWN	FJ00-1684-99



- | | |
|--|--|
| △ 乙面より7.5mmの位置で測定 | △ MEASURED AT THE SECTION 7.5mm FROM Z. |
| △ パワ-回路(35極); FIG 1 参照 | △ POWER CIRCUITS (35); SEE FIG 1 |
| △ 回路番号; FIG 1 参照 | △ CIRCUIT NUMBERS; SEE FIG 1 |
| 4. 嵌合相手ハウジング型番
22P; 353028
24P; 353029, 31P; 1318682, 353826 | 4. PART NO OF PLUG HOUSINGS TO BE MATED
22P; 353028, 24P; 353029
31P; 1318682, 353826 |
| 5. 推奨取付ねじ: JIS B1115、B1122
タッピングねじ、なべ2種、呼び径3、
長さ6以下 | 5. RECOMMENDED SCREW: PAN-HEADED, TYPE 2
TAPPING SCREW OF 3DIA X 6LEN(MAX)
(JIS B1115, B1122). |
| 6. ねじ締付トルク: 0.392N・m MAX | 6. FASTENING TORQUE FOR SCREW: 0.392N・m MAX. |
| 7. 取扱説明書 411-5931 | 7. INSTRUCTION SHEET 411-5931 |



FINISH/COLOR	MATERIAL	NAME	QTY	ITEM NO
NATURAL	PBT	TINE PLATE	1	⑤
PRE-TIN	COPPER ALLOY	TAB CONTACT (L)	32	④
PRE-TIN	COPPER ALLOY	TAB CONTACT (M)	41	③
PRE-TIN	COPPER ALLOY	TAB CONTACT (S)	35	②
NATURAL	PBT	CAP HOUSING	1	①

THIS DRAWING IS A CONTROLLED DOCUMENT FOR AMP INCORPORATED. IT IS SUBJECT TO CHANGE AND THE CONTROLLING ENGINEERING ORGANIZATION SHOULD BE CONTACTED FOR THE LATEST REVISION.

OWN: Y. FUJIWALA 29SEP99
 CHK: K. ODA 30SEP99
 APVD: K. ODA 30SEP99

AMP 日本エー・エム・ピー株式会社
 Kawasaki, Japan

040 III HIGH DENSITY CONNECTOR
 108POS CAP HOUSING ASSY

SIZE: A2 CAGE CODE: 00779 DRAWING NO: 1318613

WEIGHT: 39.8g

MATERIAL: SEE TABLE FINISH: 仕上

CUSTOMER DRAWING SCALE: 1-1 SHEET: 1 OF 1 REV: 0

X-ON Electronics

Largest Supplier of Electrical and Electronic Components

Click to view similar products for [Automotive Connectors](#) category:

Click to view products by [TE Connectivity](#) manufacturer:

Other Similar products are found below :

[003-018-000](#) [600858](#) [60403001](#) [60993906-B](#) [60993913-B](#) [629515004020001](#) [M902-2131](#) [M902-2161](#) [M902-2344](#) [72.330.1035.1](#)
[73.353.4028.0](#) [F118010](#) [F119300-B](#) [F132210](#) [F132210-B](#) [F166900](#) [F180100](#) [F258300](#) [F258300-B](#) [F294300-B](#) [F339100](#) [F339700](#) [F358300-](#)
[B](#) [F374110](#) [F407400](#) [F412210](#) [F427600](#) [F444110](#) [F487000](#) [F495100-B](#) [F500900-B](#) [F509500B-B](#) [770444-1](#) [776880-1](#) [827153-1](#) [881735-1](#)
[8N1515-32-24P](#) [9-1326727-8](#) [9-1326729-8](#) [925467-1](#) [925474-1](#) [928905-1](#) [936398-2](#) [964562-1](#) [964562-4](#) [964731-2](#) [965051-1](#) [968782-1](#)
[GT17SA-8DS-HU](#) [GT17VS-10DP-5.2CF](#)