

SEE TABLE		MATERIAL		FINISH		WEIGHT		CUSTOMER DRAWING	
DIMENSIONS: MM		0 <XX<10 ± 0.2 10<XX<30 ± 0.25 30<XX ± 0.3 ANGLES ± 3°		TOLERANCES UNLESS OTHERWISE SPECIFIED:		APPLICATION SPEC		SCALE 1/1	
DWN KT JUNG		CHK JW JUNG		APVD		PRODUCT SPEC		SHEET 1 OF 1	
APVD		APVD		APVD		HG CHD		REV A1	
NAME		NAME		NAME		CAGE CODE		REV A1	
AMP KOREA, Kyungsan, Korea		AMP KOREA, Kyungsan, Korea		AMP KOREA, Kyungsan, Korea		DRAWING NO		REV A1	
P/N		P/N		P/N		DRAWING NO		REV A1	
1-368176-1		1-368176-1		1-368176-1		DRAWING NO		REV A1	
MATERIAL		MATERIAL		MATERIAL		DRAWING NO		REV A1	
PBT		PBT		PBT		DRAWING NO		REV A1	
1-368176-1		1-368176-1		1-368176-1		DRAWING NO		REV A1	
COLOR		COLOR		COLOR		DRAWING NO		REV A1	
NATURAL		NATURAL		NATURAL		DRAWING NO		REV A1	
P/N		P/N		P/N		DRAWING NO		REV A1	
1-368176-1		1-368176-1		1-368176-1		DRAWING NO		REV A1	

THIS DRAWING IS A CONTROLLED DOCUMENT FOR TYCO ELECTRONICS CORPORATION. IT IS SUBJECT TO CHANGE AND THE CONTROLLING ENGINEERING ORGANIZATION SHOULD BE CONTACTED FOR THE LATEST REVISION.

SCALE	1/1
SHEET	1 OF 1
REV	A1

CAGE CODE	00779
DRAWING NO	368176
SIZE	A3

PRODUCT SPEC	-
APPLICATION SPEC	-
WEIGHT	-

APVD	KT JUNG
CHK	JW JUNG
NAME	AMP KOREA, Kyungsan, Korea

APVD	KT JUNG
CHK	JW JUNG
NAME	AMP KOREA, Kyungsan, Korea

APVD	KT JUNG
CHK	JW JUNG
NAME	AMP KOREA, Kyungsan, Korea

APVD	KT JUNG
CHK	JW JUNG
NAME	AMP KOREA, Kyungsan, Korea

APVD	KT JUNG
CHK	JW JUNG
NAME	AMP KOREA, Kyungsan, Korea

APVD	KT JUNG
CHK	JW JUNG
NAME	AMP KOREA, Kyungsan, Korea

APVD	KT JUNG
CHK	JW JUNG
NAME	AMP KOREA, Kyungsan, Korea

APVD	KT JUNG
CHK	JW JUNG
NAME	AMP KOREA, Kyungsan, Korea

APVD	KT JUNG
CHK	JW JUNG
NAME	AMP KOREA, Kyungsan, Korea

APVD	KT JUNG
CHK	JW JUNG
NAME	AMP KOREA, Kyungsan, Korea

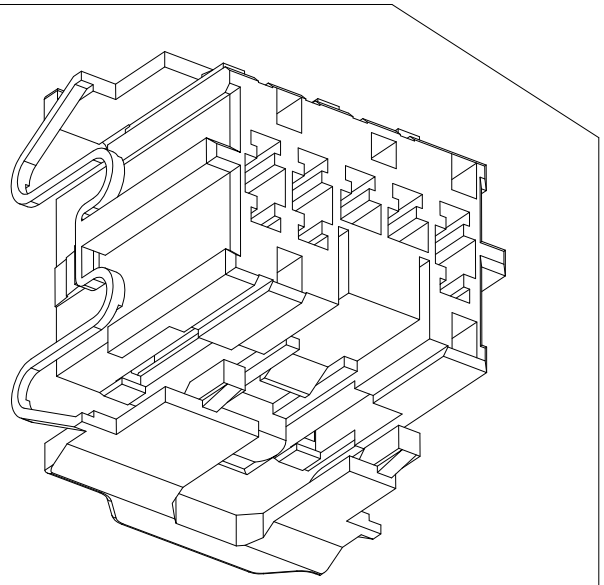
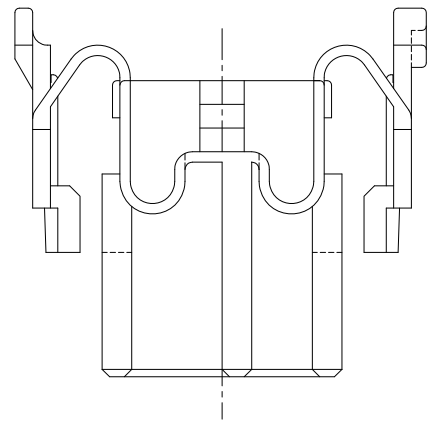
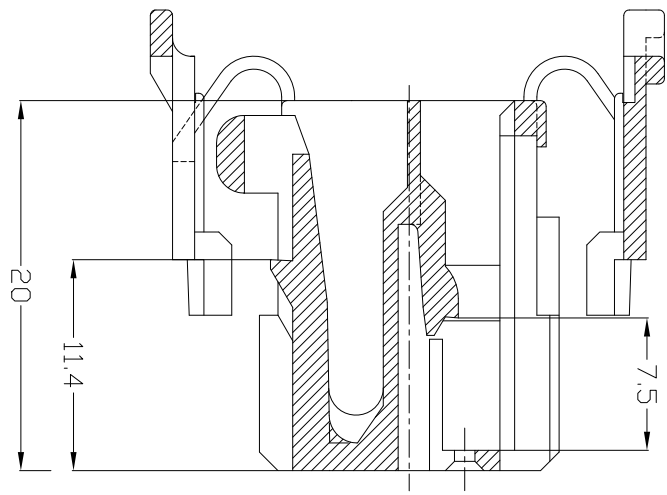
APVD	KT JUNG
CHK	JW JUNG
NAME	AMP KOREA, Kyungsan, Korea

APVD	KT JUNG
CHK	JW JUNG
NAME	AMP KOREA, Kyungsan, Korea

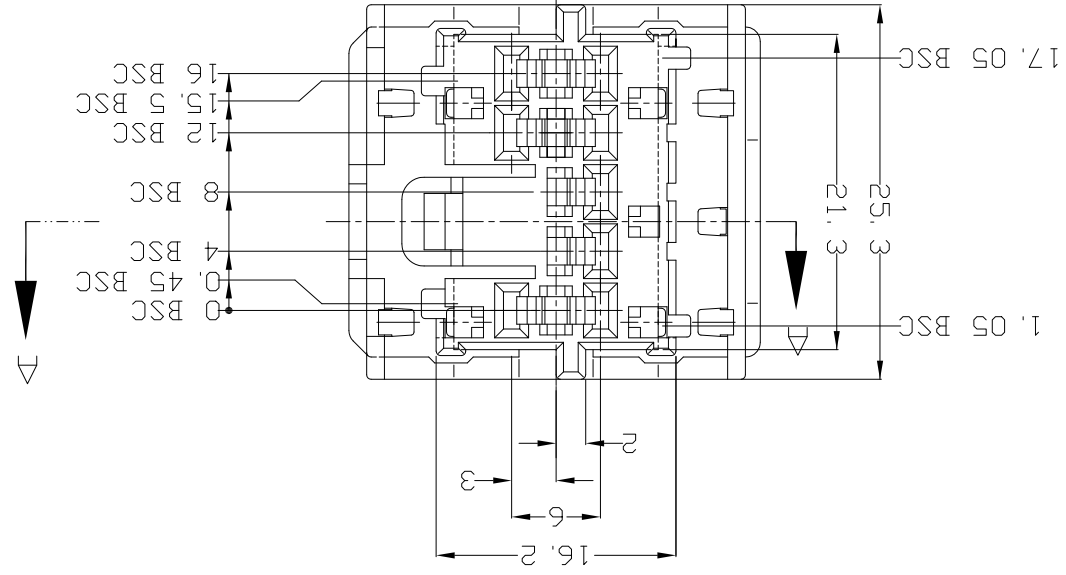
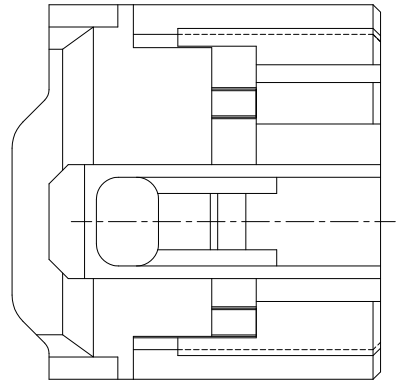
APVD	KT JUNG
CHK	JW JUNG
NAME	AMP KOREA, Kyungsan, Korea

NOTES:
 1. TO BE MATED WITH CAP HSG SMOOTHLY.
 2. APPLIED CONTACT P/N ; 368083/368084/368085
 3. APPLIED CAP HSG P/N ; 1-368175-1

SECTION A-A
 (SCALE: 2.5/1)



ISOMETRIC VIEW



REV	DESCRIPTION	DATE	DWN	APVD
A1	REVISED (ECR-08-030171)	05.DEC.'08	KT	HG
A	REVISED ECN (FC00-0011-99)	21.JAN.'99	JW	CS

REV	DESCRIPTION	DATE	DWN	APVD
A1	REVISED (ECR-08-030171)	05.DEC.'08	KT	HG
A	REVISED ECN (FC00-0011-99)	21.JAN.'99	JW	CS

X-ON Electronics

Largest Supplier of Electrical and Electronic Components

Click to view similar products for [Automotive Connectors](#) category:

Click to view products by [TE Connectivity](#) manufacturer:

Other Similar products are found below :

[003-018-000](#) [600858](#) [60403001](#) [60993906-B](#) [60993913-B](#) [629515004020001](#) [M902-2131](#) [M902-2161](#) [M902-2344](#) [72.330.1035.1](#)
[73.353.4028.0](#) [F118010](#) [F119300-B](#) [F132210](#) [F132210-B](#) [F166900](#) [F180100](#) [F258300](#) [F258300-B](#) [F294300-B](#) [F339100](#) [F339700](#) [F358300-](#)
[B](#) [F374110](#) [F407400](#) [F412210](#) [F427600](#) [F444110](#) [F487000](#) [F495100-B](#) [F500900-B](#) [F509500B-B](#) [770444-1](#) [776880-1](#) [827153-1](#) [881735-1](#)
[8N1515-32-24P](#) [9-1326727-8](#) [9-1326729-8](#) [925467-1](#) [925474-1](#) [928905-1](#) [936398-2](#) [964562-1](#) [964562-4](#) [964731-2](#) [965051-1](#) [968782-1](#)
[GT17SA-8DS-HU](#) [GT17VS-10DP-5.2CF](#)