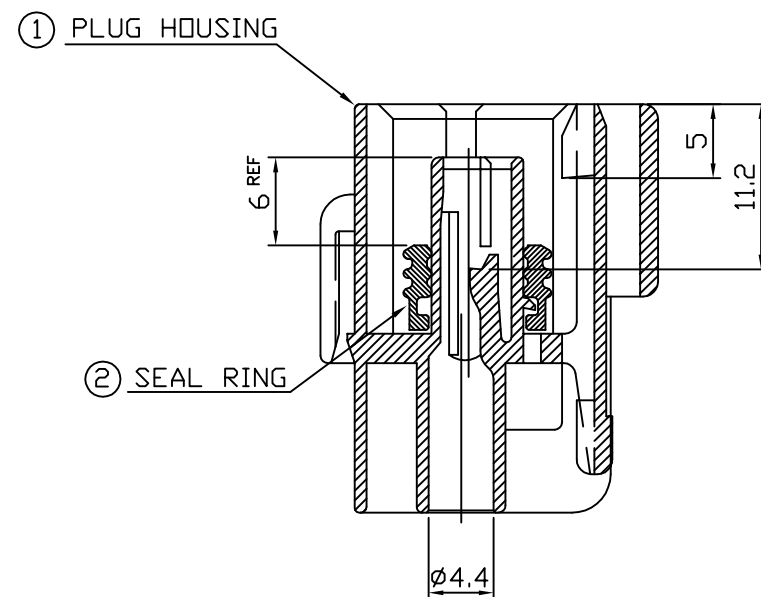
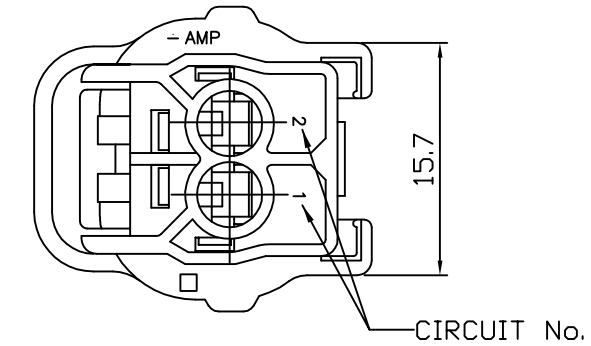
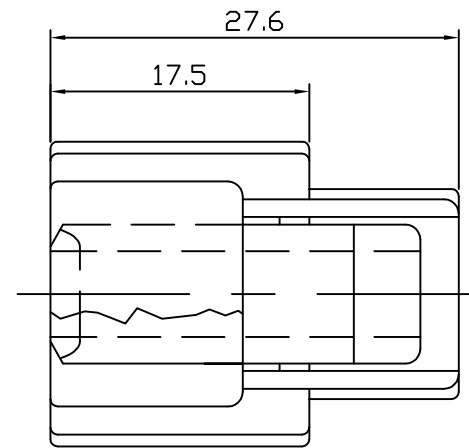
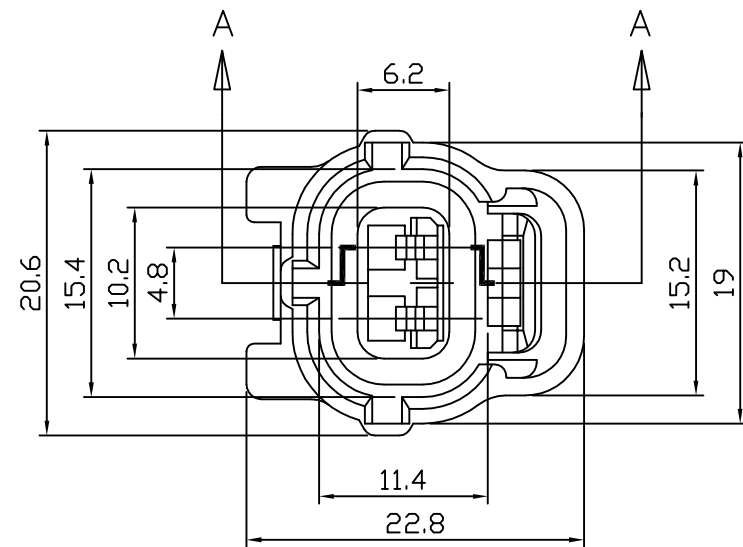


THIS DRAWING IS UNPUBLISHED. RELEASED FOR PUBLICATION
COPYRIGHT BY TYCO ELECTRONICS CORPORATION, ALL RIGHTS RESERVED.

REVISIONS

P	LTR	DESCRIPTION	DATE	DWN	APVD
	E1	REVISED (ECR-08-001967)	17.SEP.'08	KT	HG
	E2	REVISED (ECR-09-017829)	10.AUG.'09	KT	HG
	F	REVISED (ECR-11-008844)	28.APR.'11	WY	HG



SECTION A-A

NOTE;

- FOR CAP HOUSING P/N 174354
- THIS PART IS COMPOSED OF PLUG HOUSING P/N 368254 AND SEAL RING P/N 917370, 368882
- THIS PART MUST BE USED WITH DOUBLE LOCK PLATE P/N 174353
- APPLICABLE CONTACT P/N 171630, 171662

NO	COLOR	MATERIAL	DESCRIPTION	QTY
②	BROWN	SILICON	SEAL RING	1
②	BLACK	SILICON	SEAL RING	1
①	GRAY	PBT	2P PLUG HOUSING	1
①	BLACK	PBT	2P PLUG HOUSING	1

THIS DRAWING IS A CONTROLLED DOCUMENT FOR TYCO ELECTRONICS CORPORATION IT IS SUBJECT TO CHANGE AND THE CONTROLLING ENGINEERING ORGANIZATION SHOULD BE CONTACTED FOR THE LATEST REVISION.

DIMENSIONS: MM	TOLERANCES UNLESS OTHERWISE SPECIFIED: 0 <XX<10 ± 0.2 10<XX<30 ± 0.25 30<XX ± 0.3 ANGLES ± 3°
MATERIAL SEE TABLE	FINISH

DWN WY JANG
CHK KT LIM
APVD HG CHD
PRODUCT SPEC 108-61054
APPLICATION SPEC 114-5082
WEIGHT 5.2g

TE TE Connectivity

NAME
ECONOSEAL J-MARKII(+) CONNECTOR
2 POS. PLUG HOUSING

SIZE A3 CAGE CODE 00779 DRAWING NO C-368261 RESTRICTED TO -

CUSTOMER DRAWING SCALE 2/1 SHEET 1 OF 1 REV F

X-ON Electronics

Largest Supplier of Electrical and Electronic Components

Click to view similar products for [Automotive Connectors](#) category:

Click to view products by [TE Connectivity](#) manufacturer:

Other Similar products are found below :

[003-018-000](#) [600858](#) [60403001](#) [60993906-B](#) [60993913-B](#) [629515004020001](#) [M902-2131](#) [M902-2161](#) [M902-2344](#) [72.330.1035.1](#)
[73.353.4028.0](#) [F118010](#) [F119300-B](#) [F132210](#) [F132210-B](#) [F166900](#) [F180100](#) [F258300](#) [F258300-B](#) [F294300-B](#) [F339100](#) [F339700](#) [F358300-](#)
[B](#) [F374110](#) [F407400](#) [F412210](#) [F427600](#) [F444110](#) [F487000](#) [F495100-B](#) [F500900-B](#) [F509500B-B](#) [770444-1](#) [776880-1](#) [827153-1](#) [881735-1](#)
[8N1515-32-24P](#) [9-1326727-8](#) [9-1326729-8](#) [925467-1](#) [925474-1](#) [928905-1](#) [936398-2](#) [964562-1](#) [964562-4](#) [964731-2](#) [965051-1](#) [968782-1](#)
[GT17SA-8DS-HU](#) [GT17VS-10DP-5.2CF](#)