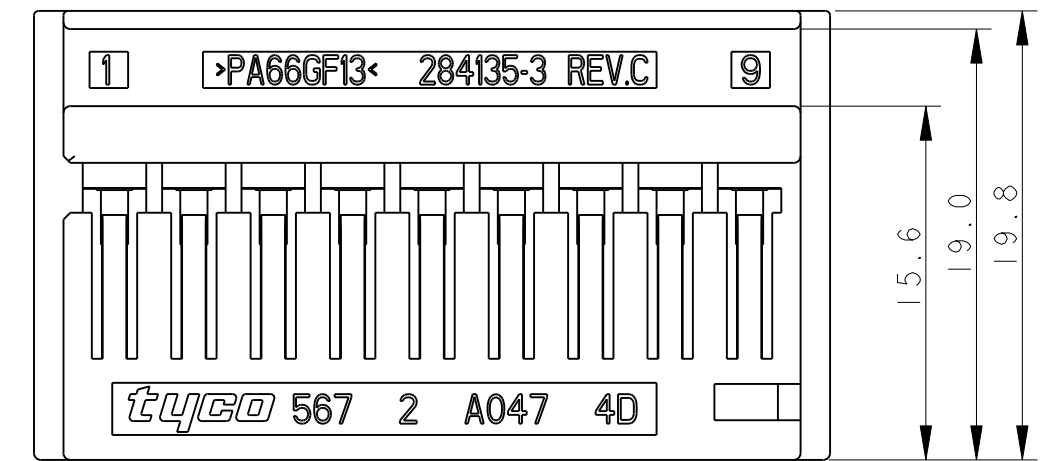
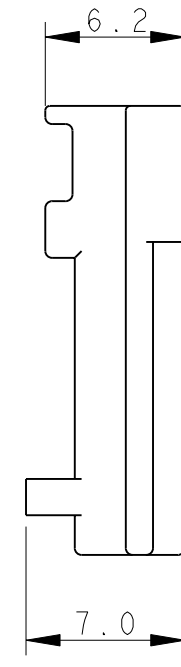
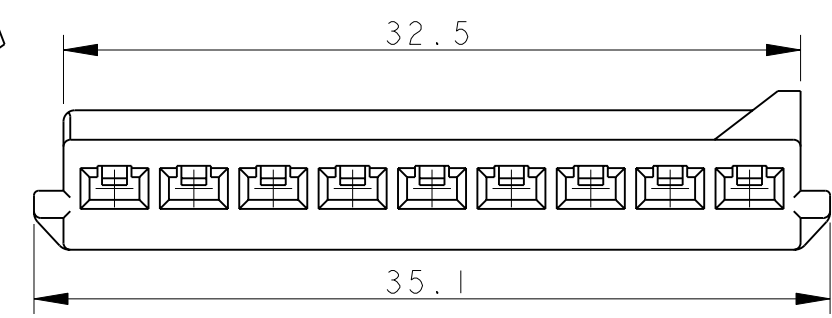
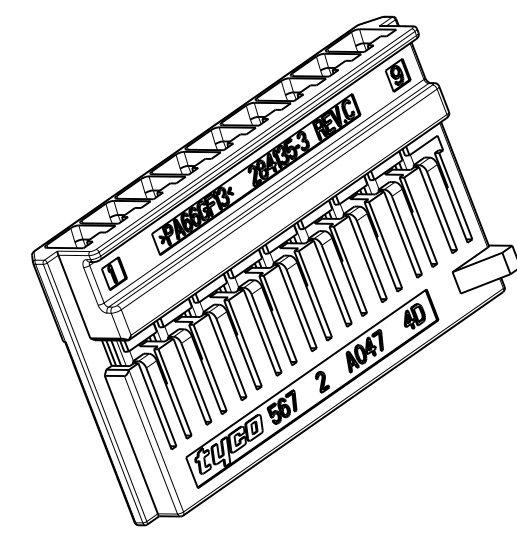
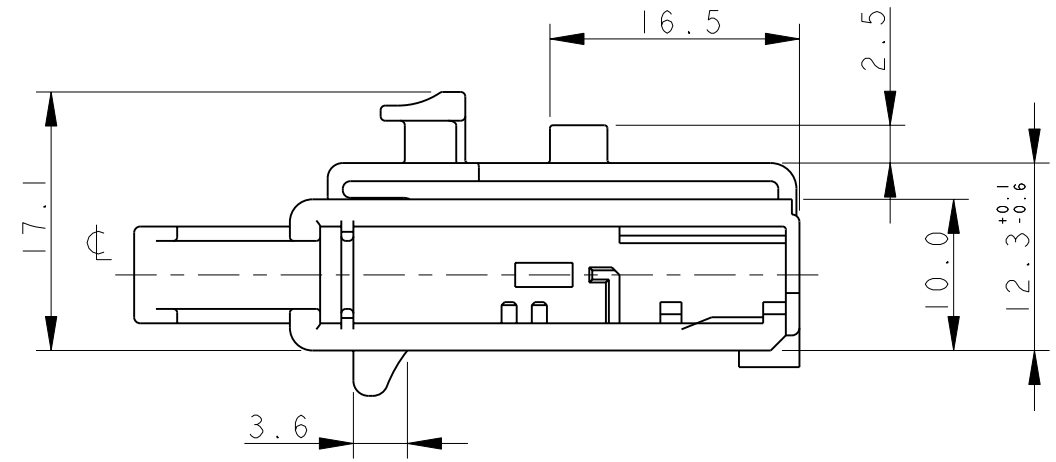
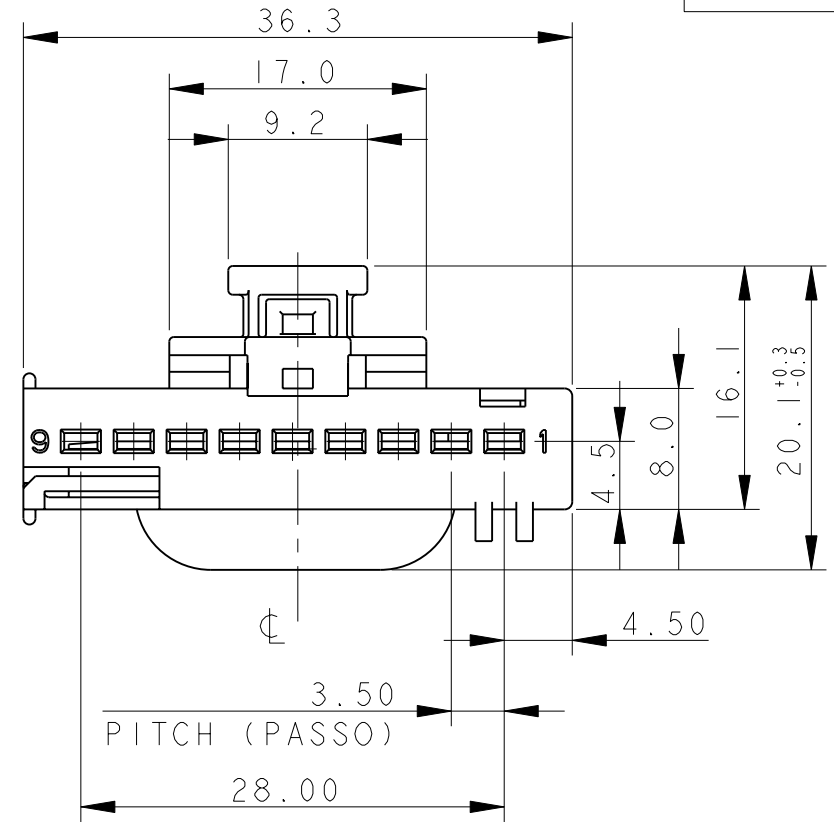
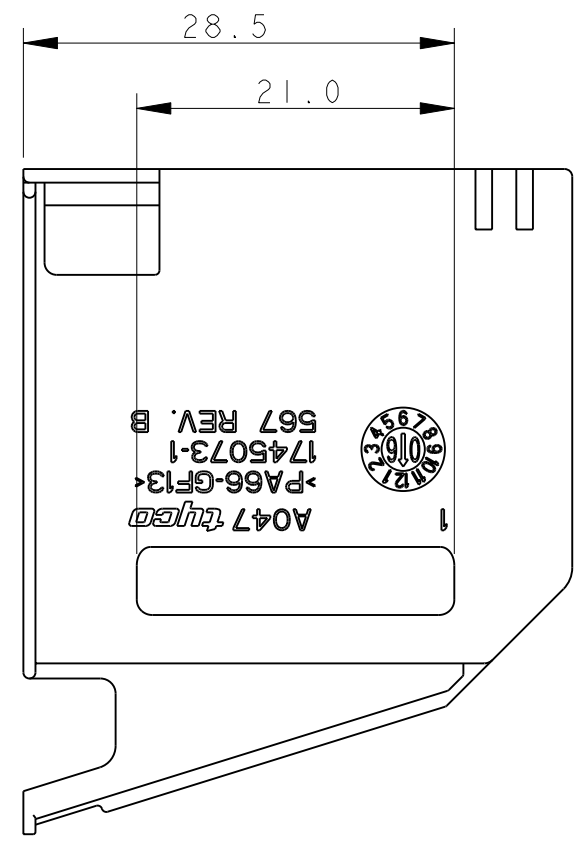


THIS DRAWING IS UNPUBLISHED. QUESTO DISEGNO NON DEVE ESSERE DIVULGATO O RIPRODOTTO. RELEASED FOR PUBLICATION E' CONSENTITA LA DIVULGAZIONE. 20  
 BY TYCO ELECTRONICS CORPORATION. ALL RIGHTS RESERVED. TUTTI I DIRITTI SONO RISERVATI.

REV. NO.		DESCRIPTION	DATE	DWN DIS.	APVD APP.
0		PRELIMINARY ISSUE (EMISSIONE PRELIMINARE)	06JUL2005	A.B.	O.C.
1		UPDATED DRAWING (AGGIORNAMENTO DISEGNO)	06MAR2006	M.P.	O.C.
A		UPDATED DRAWING (AGGIORNAMENTO DISEGNO)	19SEP2006	M.P.	O.C.
AI		RELEASED FOR PRODUCTION (ECR-06-022829)	27SEP2006	M.P.	O.C.
B		ECR-10-006842	19MAY2010	M.P.	M.G.

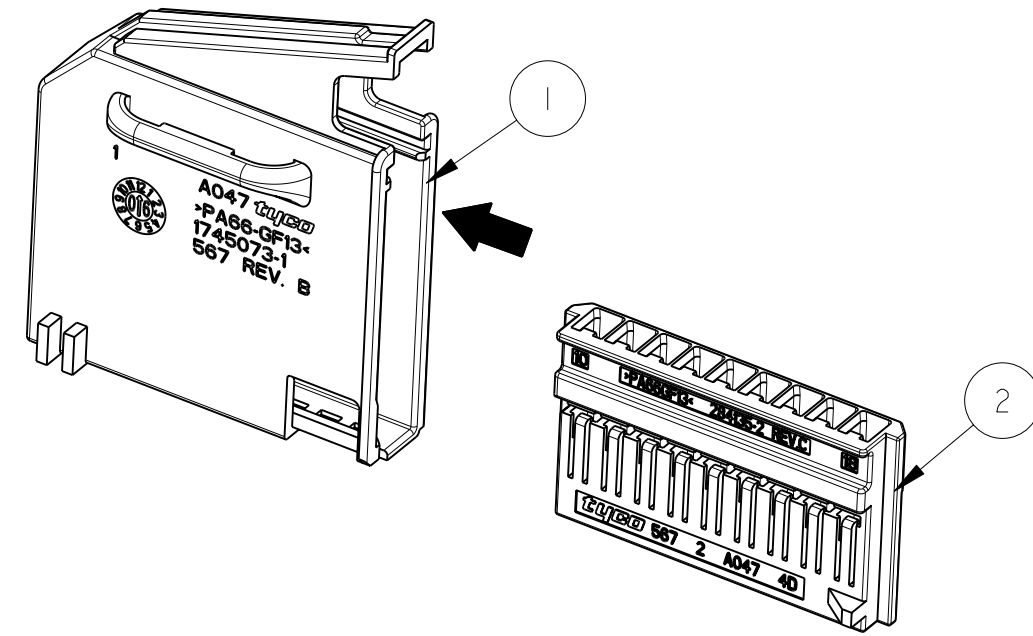
P/N	REV	POLARIZATION KEYS (CHIAVI DI POLARIZZAZIONE)	DRAWING COUNTERPART (DISEGNO CONTROPARTE)
1745074-1	B		00-51033
1745074-2	B		00-51041
1745074-3	B		00-51041



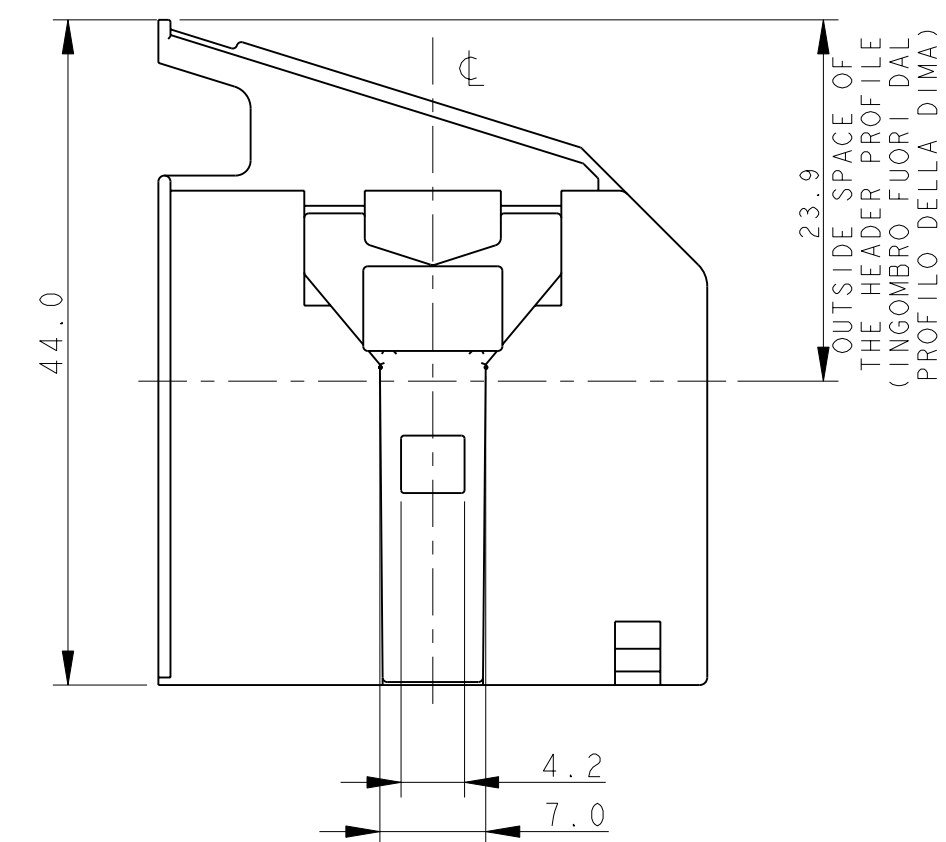
NR.9 CAVITA' ADATTE PER CONTATTI:  
 P/N 284087-1 SEZ. CAVI 0.35-0.5 mm2  
 P/N 284088-1 SEZ. CAVI 0.75-1.5 mm2  
 NR.9 CAVITIES SUITABLE FOR CONTACTS:  
 P/N 284087-1 SEZ. CAVI 0.35-0.5 mm2  
 P/N 284088-1 SEZ. CAVI 0.75-1.5 mm2

ITEM	DESCRIPTION (DESCRIZIONE)	MATERIAL (MATERIALE)	COLOUR (COLORE)	Q.TY (Q.TA')
1	9 POS. FRAME PITCH 3.5 (CORAZZA 9 VIE PASSO 3.5)	PA66 G.F.	BLACK (NERO)	1
2	9 POS. PLUG HOUSING (9 POS. PORTA FEMMINE)	PA66 G.F.	GREY (GRIGIO)	1

LA CORAZZA E IL MODULO PORTA-CONTATTI VENGONO FORNITI IN KIT, NELLA STESSA SCATOLA IN PARI QUANTITA' (FRAME AND HOUSING ARE SUPPLIED IN KIT, IN THE SAME BOX AND QUANTITY)



P/N 1745074-1 /-2 /-3 AS SHOWN (COME MOSTRATO)



THIS DRAWING IS A CONTROLLED DOCUMENT FOR TYCO ELECTRONICS CORPORATION IT IS SUBJECT TO CHANGE AND THE CONTROLLING ENGINEERING ORGANIZATION SHOULD BE CONTACTED FOR THE LATEST REVISION. QUESTO DISEGNO E' UN DOCUMENTO DI PROPRIETA' E RESPONSABILITA' DELL'AMP INCORPORATED. E' SOGGETTO A VARIAZIONI. PER OTTENERE L'ULTIMA REVISIONE DEL DISEGNO CONTATTARE L'UFFICIO TECNICO RESPONSABILE.		DWN/DIS. 06JUL2005 A. BRICCARELLO CHK/CONT. 06JUL2005 O. CANUTO APVD/APP. 06JUL2005 A. GENTA	Tyco Electronics Tyco Electronics AMP Italia S.r.l. C.so f.lli Cervi,15 Collegno (TO)
DIMENSIONS: (MM) 0 PLC/DEC: ±0.3 1 PLC/DEC: ±0.3 2 PLC/DEC: ±0.3 3 PLC/DEC: ±0.3 4 PLC/DEC: ±0.3 ANGLES/ANGOLI ±2	TOLERANCES UNLESS OTHERWISE SPECIFIED: DIVERSAMENTE SPECIFICATO 0 PLC/DEC: ±0.3 1 PLC/DEC: ±0.3 2 PLC/DEC: ±0.3 3 PLC/DEC: ±0.3 4 PLC/DEC: ±0.3 ANGLES/ANGOLI ±2	NAME: 9 POS REC CONNECTOR FOR 070 NEW GEN. CRIMP - KIT (CONNETTORE PORTA FEMMINE PER 070 NEW GEN. CRIMP-KIT) PRODUCT SPEC: - SPEC DI PRODOTTO: - APPLICATION SPEC: - SPEC DI APPLICAZIONE: - WEIGHT: - PESO: - FINISH: - FINITURA: -	SIZE: A2 CAGE CODE: 0779 DRAWING NO: C-1745074 NUMERO: - RESTRICTED TO: -
MATERIAL: VEDI TABELLA (SEE TABLE) FINISH: VEDI TABELLA (SEE TABLE)		CUSTOMER DRAWING DISEGNO PER CLIENTE SOLO PER RIFERIMENTO	SCALE: - SHEET: - OF: - DI: - REV: B

## X-ON Electronics

Largest Supplier of Electrical and Electronic Components

*Click to view similar products for [Automotive Connectors](#) category:*

*Click to view products by [TE Connectivity](#) manufacturer:*

Other Similar products are found below :

[003-018-000](#) [600858](#) [60403001](#) [60993906-B](#) [60993913-B](#) [629515004020001](#) [M902-2131](#) [M902-2161](#) [M902-2344](#) [72.330.1035.1](#)  
[73.353.4028.0](#) [F118010](#) [F119300-B](#) [F132210](#) [F132210-B](#) [F166900](#) [F180100](#) [F258300](#) [F258300-B](#) [F294300-B](#) [F339100](#) [F339700](#) [F358300-](#)  
[B](#) [F374110](#) [F407400](#) [F412210](#) [F427600](#) [F444110](#) [F487000](#) [F495100-B](#) [F500900-B](#) [F509500B-B](#) [770444-1](#) [776880-1](#) [827153-1](#) [881735-1](#)  
[8N1515-32-24P](#) [9-1326727-8](#) [9-1326729-8](#) [925467-1](#) [925474-1](#) [928905-1](#) [936398-2](#) [964562-1](#) [964562-4](#) [964731-2](#) [965051-1](#) [968782-1](#)  
[GT17SA-8DS-HU](#) [GT17VS-10DP-5.2CF](#)