

THIS DRAWING IS UNPUBLISHED.

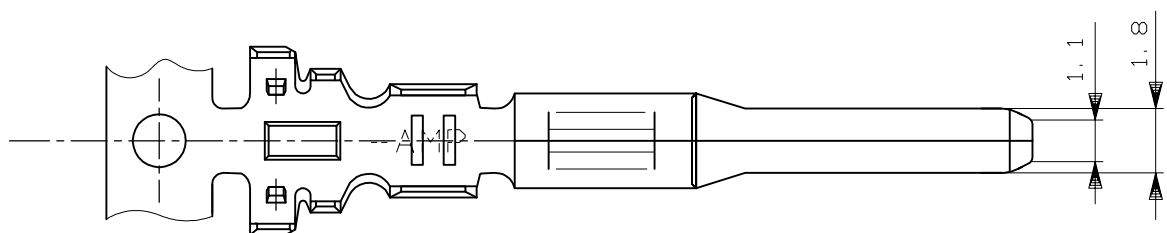
RELEASED FOR PUBLICATION

---

© COPYRIGHT 2015 By --

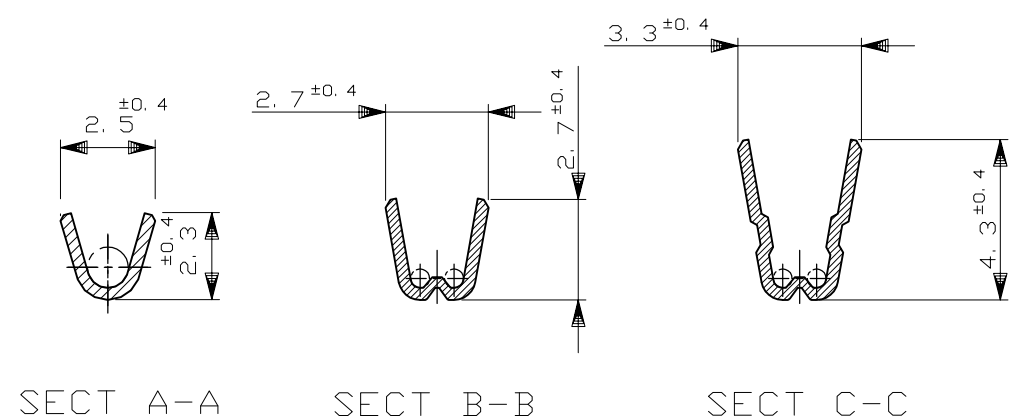
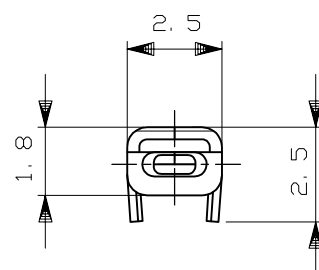
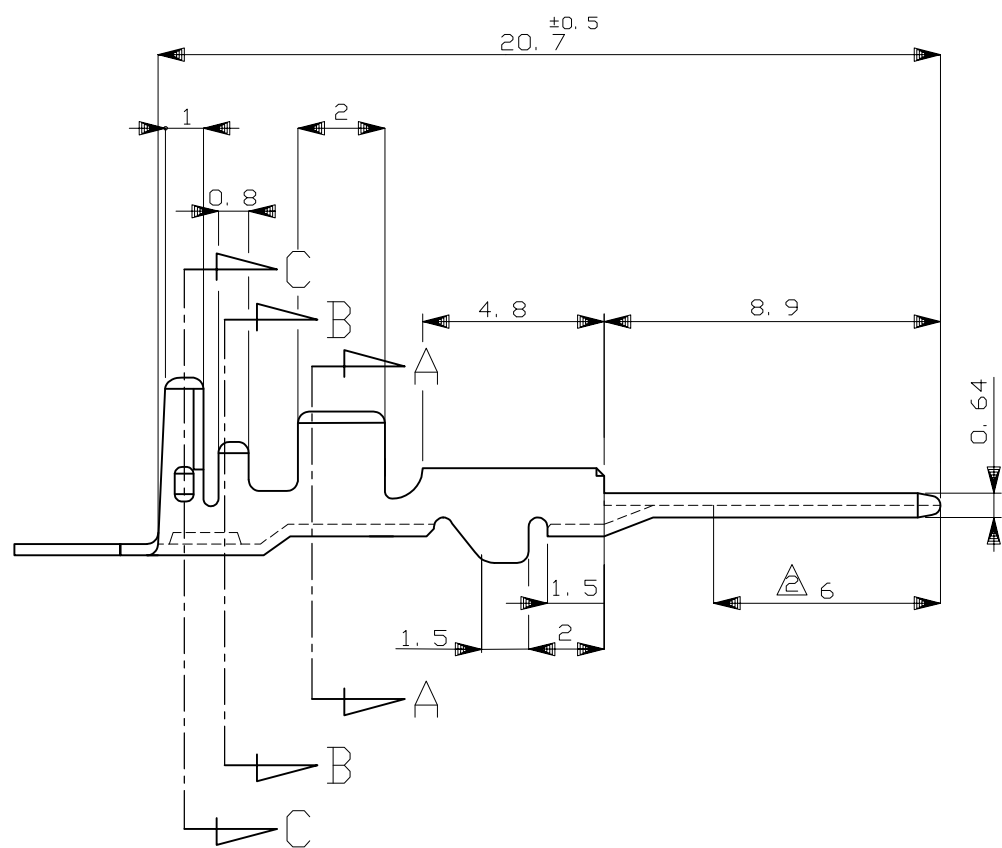
ALL RIGHTS RESERVED.

LOC	DIST	REVISIONS						
		P	LTR	DESCRIPTION	DATE	DWN	APVD	
J	—		D1	REVISED	ECR-16-008364	09JUN2016	TS	KB



① 嵌合相手端子型番 ; 175124他  
 ② 部分金めっき 他はニッケルめっき

① RECEPTACLE CONTACT ; 175124 etc  
 ② SELECTIVE GOLD PLATING, REMAINDER NICKEL PLATING.



OBSOLETE	SELECTIVE GOLD PLATED	BRASS +0.32	175207-2 ②
	PRE-TINNED	BRASS +0.32	175207-1
	FINISH	MATERIAL	PART NUMBER

WIRE RANGE	INSULATION DIA
0.3~0.5 mm <sup>2</sup> (AWG#22~20)	1.0~1.5 mmφ

TOLERANCE UNLESS OTHERWISE SPECIFIED: 一般公差	
0 < x ≤ 10	: ±0.2
10 < x ≤ 30	: ±0.25
30 < x ≤ 100	: ±0.3
ANGLE ; 角度	: ±3°

THIS DRAWING IS A CONTROLLED DOCUMENT.	
DIMENSIONS: mm	TOLERANCES UNLESS OTHERWISE SPECIFIED:
	0 PLC ± -
	1 PLC ± -
	2 PLC ± -
	3 PLC ± -
	4 PLC ± -
	ANGLES ± -
MATERIAL SEE TABLE	FINISH SEE TABLE

DWN	Y.FUJIMORI	5/31'91	<b>STE</b> TE Connectivity					
CHK	K.AOYAMA	5/31'91						
APVD	M.OHSHIMA	5/31'91						
PRODUCT SPEC	NAME							
APPLICATION SPEC	-		070 SERIES TAB CONTACT					
WEIGHT	0.3 g	A300779	C=175207	RESTRICTED TO	-			
CUSTOMER DRAWING			SCALE	5:1	SHEET	1 OF 1	REV	D1

## X-ON Electronics

Largest Supplier of Electrical and Electronic Components

*Click to view similar products for [Automotive Connectors](#) category:*

*Click to view products by [TE Connectivity](#) manufacturer:*

Other Similar products are found below :

[003-018-000](#) [600858](#) [60403001](#) [60993906-B](#) [60993913-B](#) [629515004020001](#) [M902-2131](#) [M902-2161](#) [M902-2344](#) [72.330.1035.1](#)  
[73.353.4028.0](#) [F118010](#) [F119300-B](#) [F132210](#) [F132210-B](#) [F166900](#) [F180100](#) [F258300](#) [F258300-B](#) [F294300-B](#) [F339100](#) [F339700](#) [F358300-](#)  
[B](#) [F374110](#) [F407400](#) [F412210](#) [F427600](#) [F444110](#) [F487000](#) [F495100-B](#) [F500900-B](#) [F509500B-B](#) [770444-1](#) [776880-1](#) [827153-1](#) [881735-1](#)  
[8N1515-32-24P](#) [9-1326727-8](#) [9-1326729-8](#) [925467-1](#) [925474-1](#) [928905-1](#) [936398-2](#) [964562-1](#) [964562-4](#) [964731-2](#) [965051-1](#) [968782-1](#)  
[GT17SA-8DS-HU](#) [GT17VS-10DP-5.2CF](#)