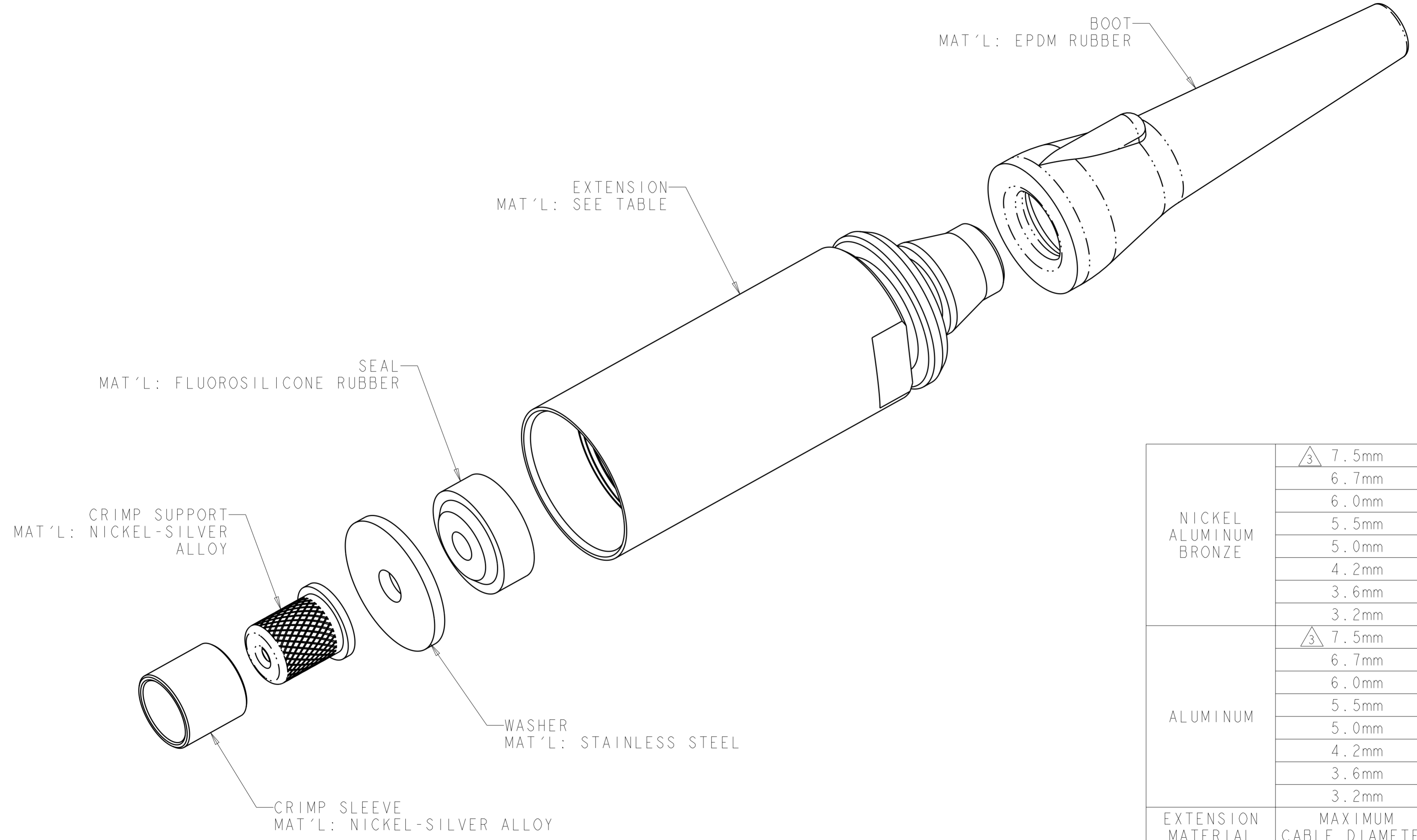


THIS DRAWING IS UNPUBLISHED. RELEASED FOR PUBLICATION 20
 © COPYRIGHT 20 BY - ALL RIGHTS RESERVED.

REVISIONS				
P	LTR	DESCRIPTION	DATE	APVD
C		ECR-15-008603	24JUN2015	KG DW



MATERIAL	MAXIMUM CABLE DIAMETER	PART NUMBER
NICKEL ALUMINUM BRONZE	△ 7.5mm	1-1918931-6
	6.7mm	1-1918931-5
	6.0mm	1-1918931-4
	5.5mm	1-1918931-3
	5.0mm	1-1918931-2
	4.2mm	1-1918931-1
	3.6mm	1-1918931-0
	3.2mm	1918931-9
	ALUMINUM	△ 7.5mm
6.7mm		1918931-7
6.0mm		1918931-6
5.5mm		1918931-5
5.0mm		1918931-4
4.2mm		1918931-3
3.6mm		1918931-2
3.2mm		1918931-1

1. PACKAGED LOOSE PIECE.
 2. DIMENSIONS ARE FOR REFERENCE ONLY.
- △ FOR USE WITH Ø7.5mm BREAKOUT CABLE WITH Ø2.15mm MAXIMUM JACKETED SUBUNITS.

THIS DRAWING IS A CONTROLLED DOCUMENT.

DIMENSIONS: mm	TOLERANCES UNLESS OTHERWISE SPECIFIED:	DWN 21OCT2006 K. GLATFELTER	STE TE Connectivity	
	0 PLC ± 1 PLC ± 2 PLC ± 3 PLC ± 4 PLC ± ANGLES ±	CHK 02JUN2008 D. WERTMAN		
MATERIAL AS LISTED	FINISH HARD ANODIZE (AL ONLY)	APVD 02JUN2008 D. WERTMAN	PRODUCT SPEC -	NAME CABLE ADAPTER KIT, PLUG, PRO BEAM JR.
		APPLICATION SPEC -	WEIGHT -	RESTRICTED TO -
		Customer Drawing	SCALE 3:1	SHEET 1 OF 1 REV C

X-ON Electronics

Largest Supplier of Electrical and Electronic Components

Click to view similar products for [Fiber Optic Connectors](#) category:

Click to view products by [TE Connectivity](#) manufacturer:

Other Similar products are found below :

[0004700001](#) [6100-R](#) [6313](#) [F709034706](#) [F709722200](#) [F709730000](#) [F718183204](#) [F727403500](#) [F727752800](#) [FCXO-12-3BY](#) [FO-SCREW\(M2X6\)](#) [9440F20-27S-190](#) [944-120-6001](#) [944-125-6003](#) [9441F10SL-3P](#) [953-101-5310-P](#) [954-101-57202B](#) [A0270169](#) [12-9122](#) [12-5702](#) [143025NC](#) [DSAKB](#) [AX101713](#) [AX102420](#) [AX103923](#) [AX104193](#) [AX104230](#) [AX104562](#) [AX104683](#) [AX105203-B25](#) [AX105205-S1](#) [EHSC2M](#) [17-300800](#) [180-044NF06-11-2S](#) [180-044NF06-17-8P](#) [180-044NF07-11-2S](#) [181-011-126](#) [181-011-S](#) [181-057-126](#) [BT34IW](#) [HRFCP-HSCJ-1\(61\)](#) [HRFC-R2\(40\)](#) [NKSOPBUY](#) [20500002116](#) [2064996-1](#) [20800001065](#) [2170](#) [9132](#) [2612](#) [2620](#)