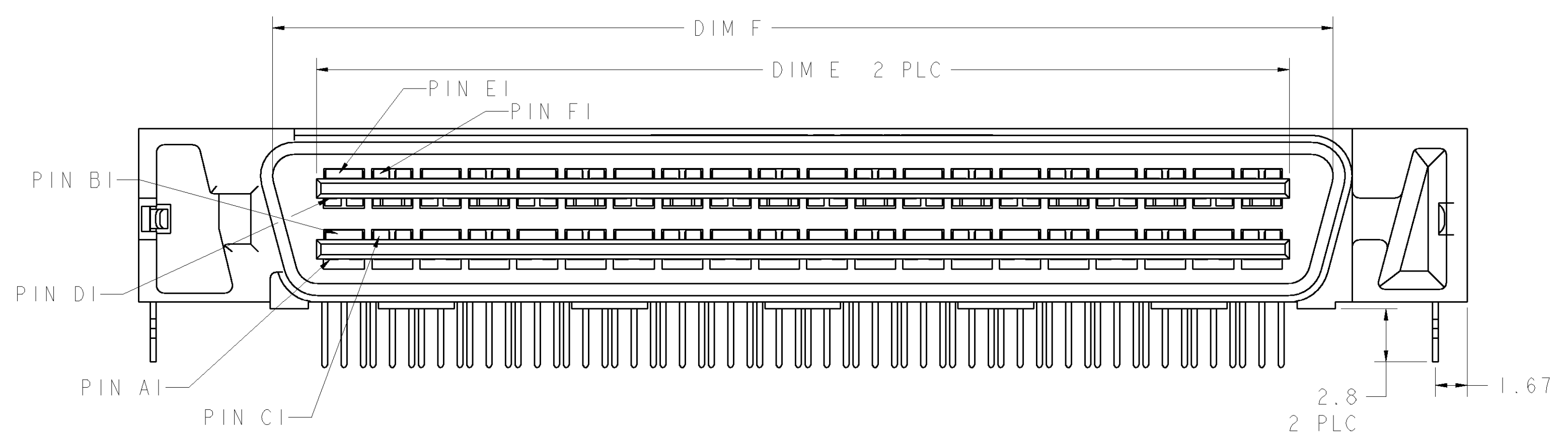
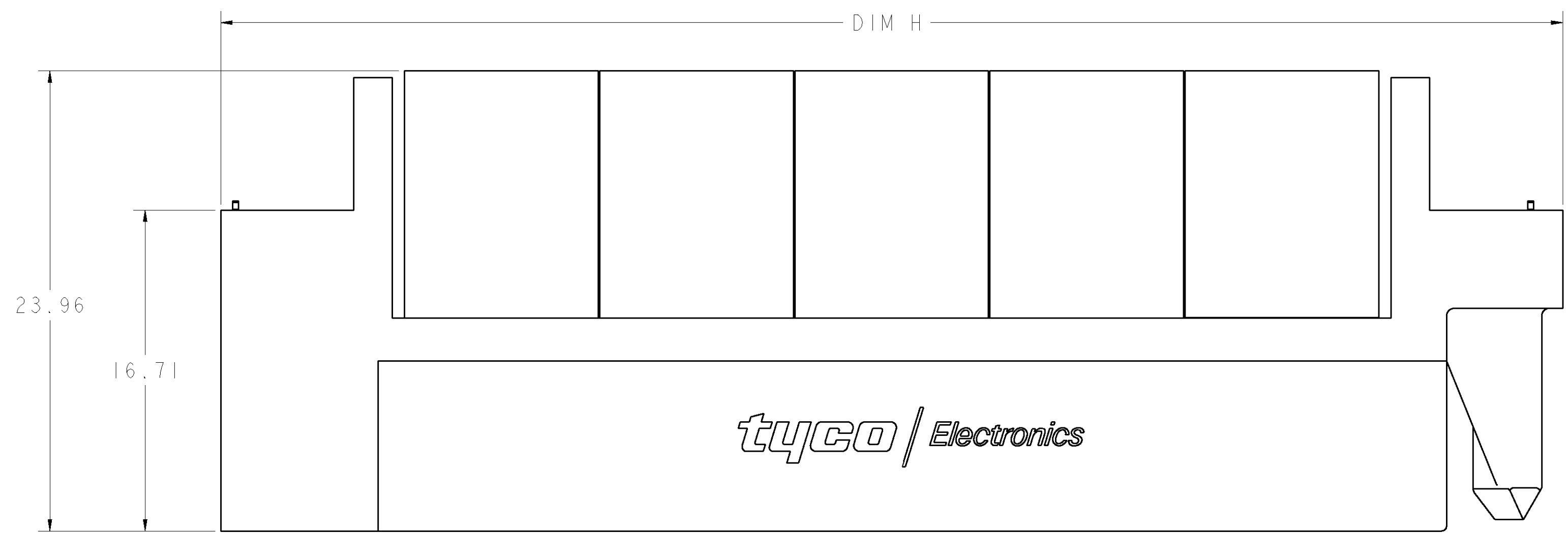
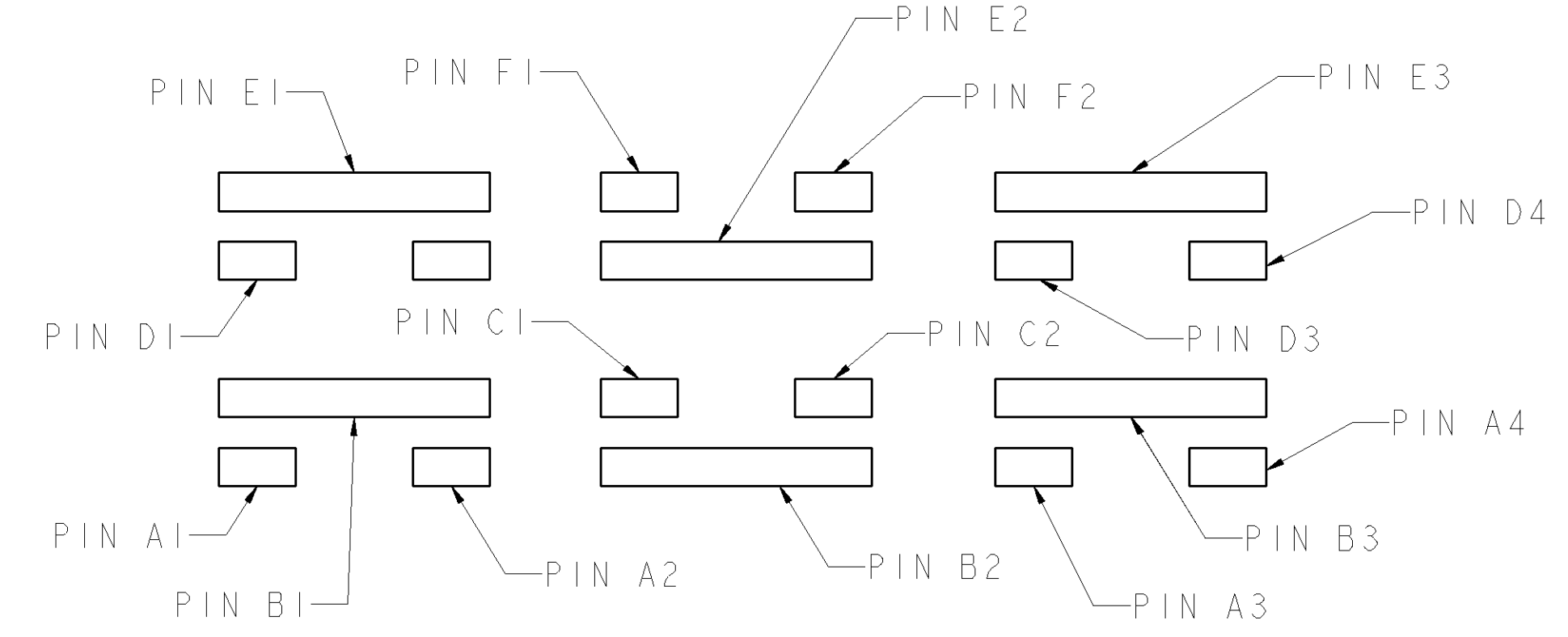
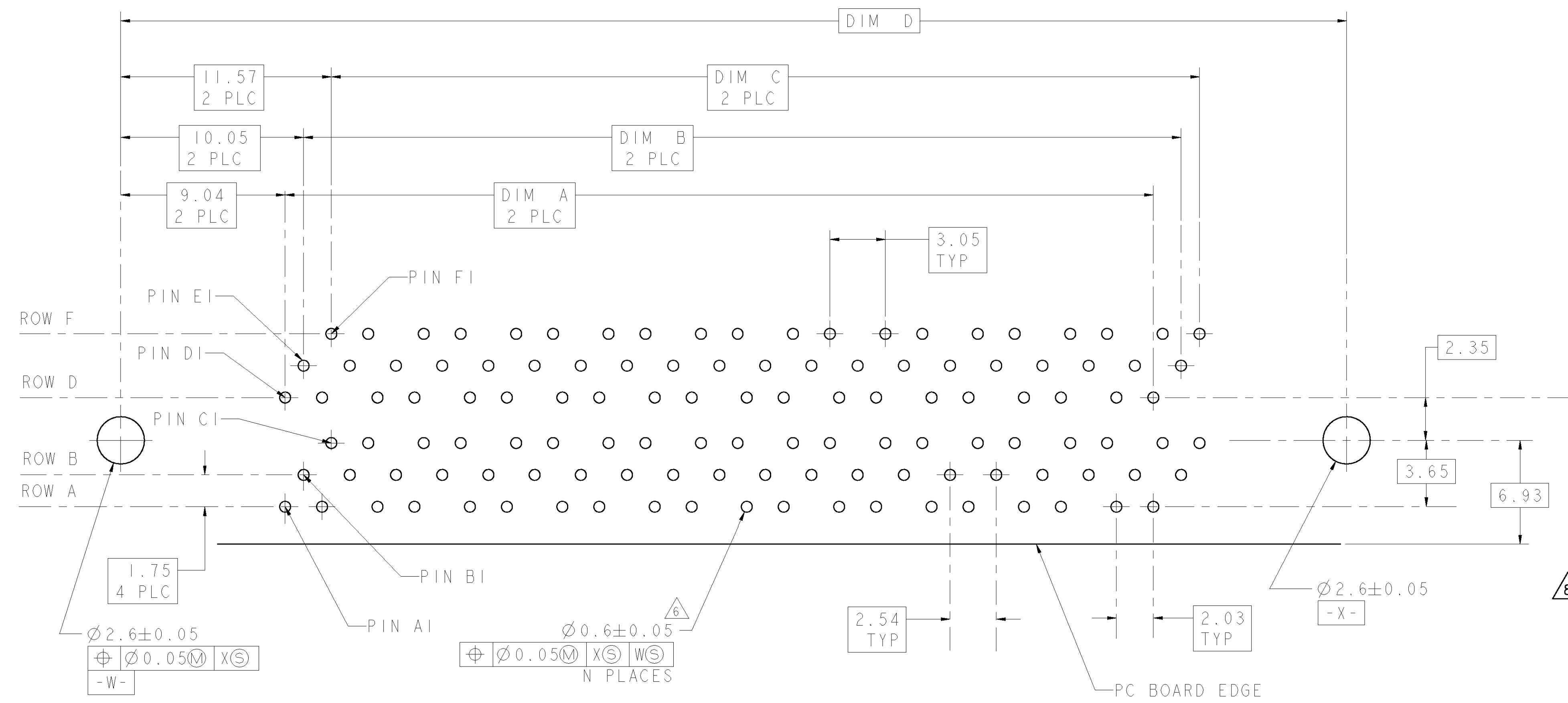
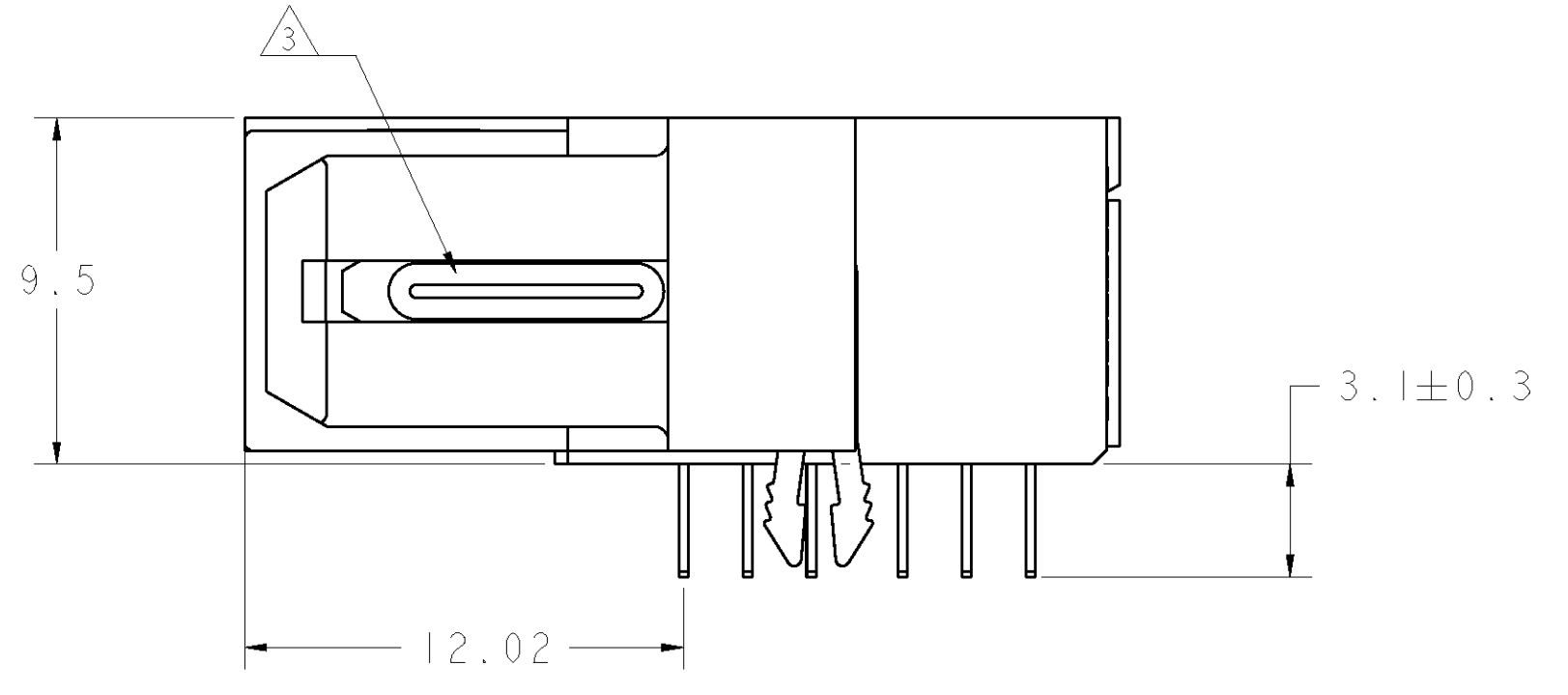


LOC		DIST		REVISIONS			
GP	00	P	LTR	DESCRIPTION	DATE	DWN	APVD
		A		RELEASED	30NOV2005	EDB	EDB
		A1		REVISED PER ECO-09-025699	08DEC09	KK	AEG



- △ MATERIAL:
HOUSING AND ORGANIZER: POLYESTER, NATURAL
CONTACTS: COPPER ALLOY
BOARDLOCKS: BRASS
- △ PLATING:
BOARDLOCKS: 2.0µm MIN. TIN OVER 1.00µm MIN NICKEL
CONTACTS: 0.76µm MIN GOLD IN CONTACT AREA, 2.54µm MIN TIN IN TERMINATION AREA, OVER 1.27µm MIN NICKEL.
- △ CONTACT ENGAGING SEQUENCE: BOARDLOCK (ESD), GROUND, SIGNAL.
- 4. DATE CODE MAY BE MARKED ON EITHER END.
- 5. ROWS A, C, D, AND F ARE SIGNAL CONTACTS
ROWS B AND E ARE GROUND CONTACTS.
- △ CONNECTOR SIZE CAN ACCOMMODATE INDICATED QUANTITY OF DIFFERENTIAL PAIRS.
- 7. COMPONENT HAS NOT PASSED VERIFICATION TESTING.
- △ OBSOLETE PARTS: OBSOLETE CIS STREAMLINING PER D.RENAUD/D.SINISI



OB	"N" DIM	"H" DIM	"F" DIM	"E" DIM	"D" DIM	"C" DIM	"B" DIM	"A" DIM	DIFF PAIRS	PART NO
△ OBSOLETE	216	110.50	96.40	91.79	108.05	88.39	88.90	88.39	72	6367198-7
	96	59.70	45.60	40.99	57.25	37.59	38.10	37.59	32	6367198-6
	72	49.54	35.44	30.83	47.09	27.43	27.94	27.43	24	6367198-5
	192	100.34	86.24	81.63	97.89	78.23	78.74	78.23	64	6367198-4
	168	90.18	76.08	71.47	87.73	68.07	68.58	68.07	56	6367198-3
△ OBSOLETE	144	80.02	65.92	61.31	77.57	57.91	58.42	57.91	48	6367198-2
	120	69.86	55.76	51.15	67.41	47.75	48.26	47.75	40	6367198-1

RECOMMENDED PC BOARD FOOTPRINT
 COMPONENT SIDE SHOWN
 SCALE 6:1

DIMENSIONS:		TOLERANCES UNLESS OTHERWISE SPECIFIED:		DWN: E. BRIANT 30NOV2005		APVD: E. BRIANT 30NOV2005		NAME: M. WALMSLEY 30NOV2005		tyco AMP Incorporated Harrisburg, PA 17105-3608	
mm	0 PLC ±	1 PLC ±0.3	2 PLC ±0.13	3 PLC ±	4 PLC ±	PRODUCT SPEC	108-1985	Z-DOK CONNECTOR ASSEMBLY PLUG, ESD BOARDLOCKS		RESTRICTED TO	
	ANGLES	40°±0.5°		MATERIAL	FINISH	APPLICATION SPEC	114-13068	SIZE	CAGE CODE	DRAWING NO	SCALE 3:1
						WEIGHT		A100779	C=6367198	REV	A1
CUSTOMER DRAWING										SHEET 1 OF 1	

X-ON Electronics

Largest Supplier of Electrical and Electronic Components

Click to view similar products for [High Speed/Modular Connectors](#) category:

Click to view products by [TE Connectivity](#) manufacturer:

Other Similar products are found below :

[2332816-1](#) [89006-1137LF](#) [650827-1](#) [65762-001LF](#) [73474-201LF](#) [74040-1346](#) [74075-0267](#) [1410191-1](#) [1410337-1](#) [1410368-3](#) [1410964-2](#)
[1410367-3](#) [1410971-4](#) [1467833-1](#) [2000877-1](#) [2000878-1](#) [2041314-1](#) [2065387-1](#) [2187307-1](#) [2187462-1](#) [2226278-6](#) [KA81-07](#) [91290-101LF](#)
[163P](#) [1934290-1](#) [2000875-1](#) [2065917-1](#) [2102736-2](#) [FSR-40](#) [2169868-2](#) [2226279-2](#) [22354-8](#) [437-5040-000](#) [5-1393565-0](#) [532449-3](#) [532803-](#)
[2](#) [34745-0001](#) [0736440217](#) [1-1393708-5](#) [72388-0021LF](#) [73774-1000](#) [532939-1](#) [5-531355-3](#) [5532901-3](#) [85838-180LF](#)
[HM1S43TRR460H6PLF](#) [0760205010](#) [1-966831-4](#) [3-1469268-7](#) [77427-121LF](#)