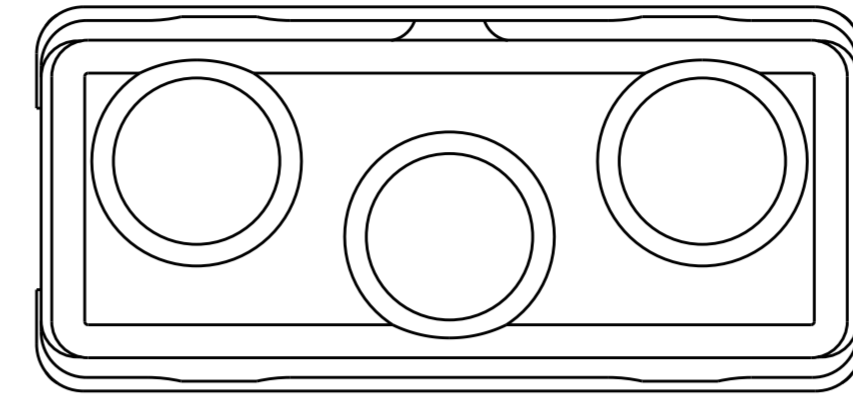
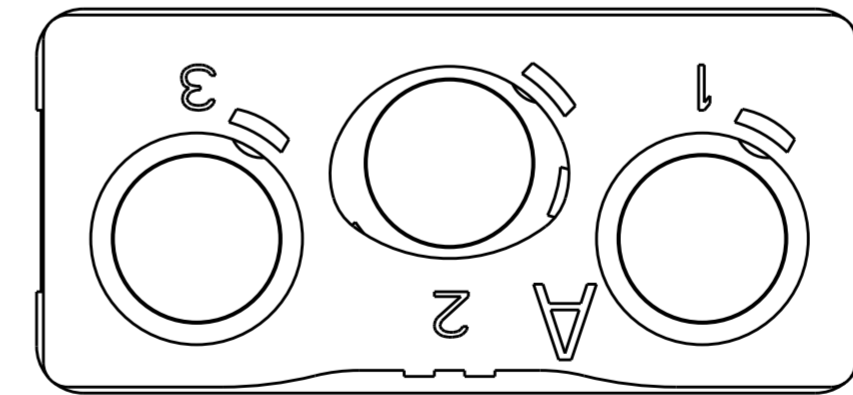
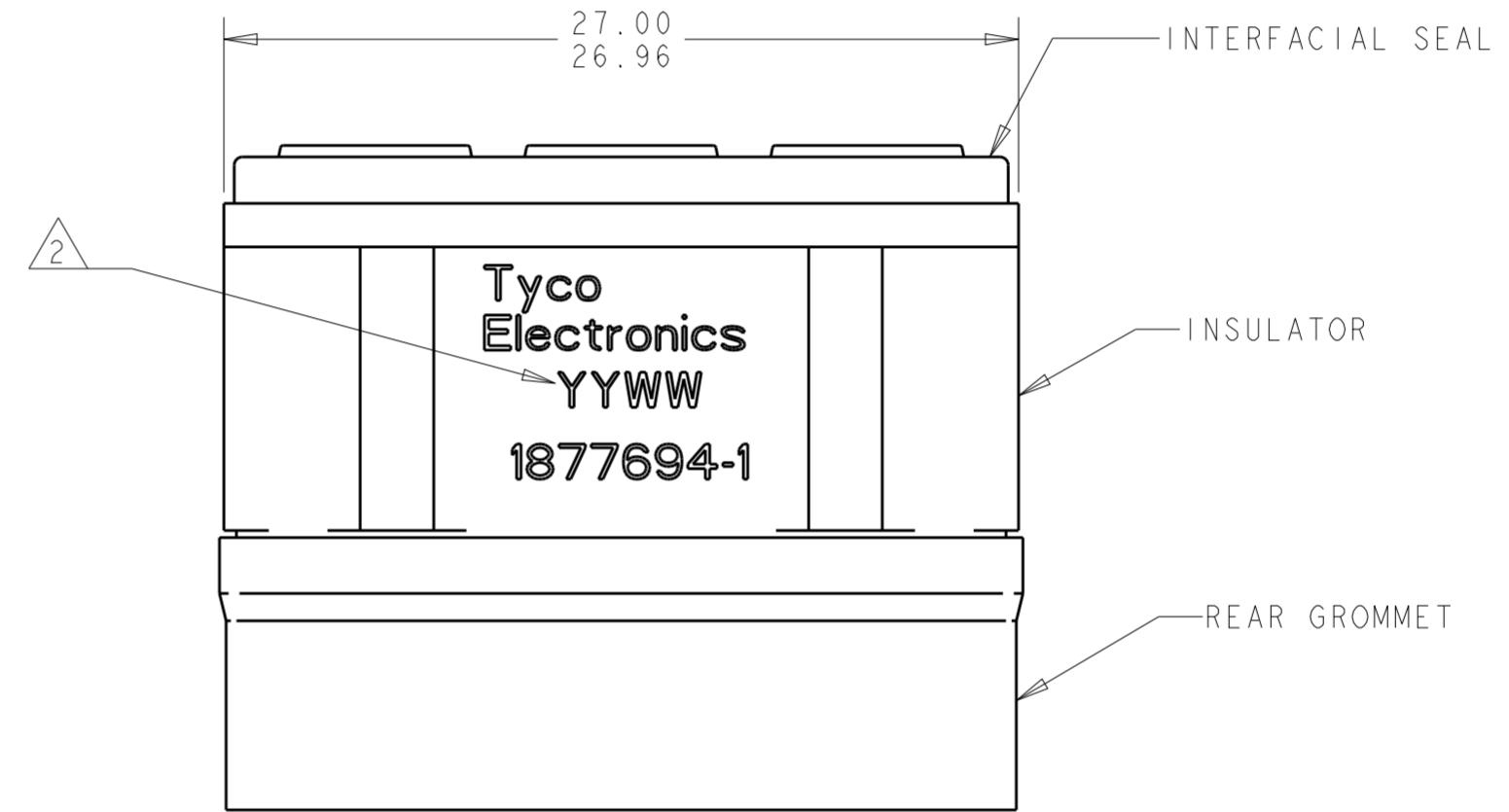
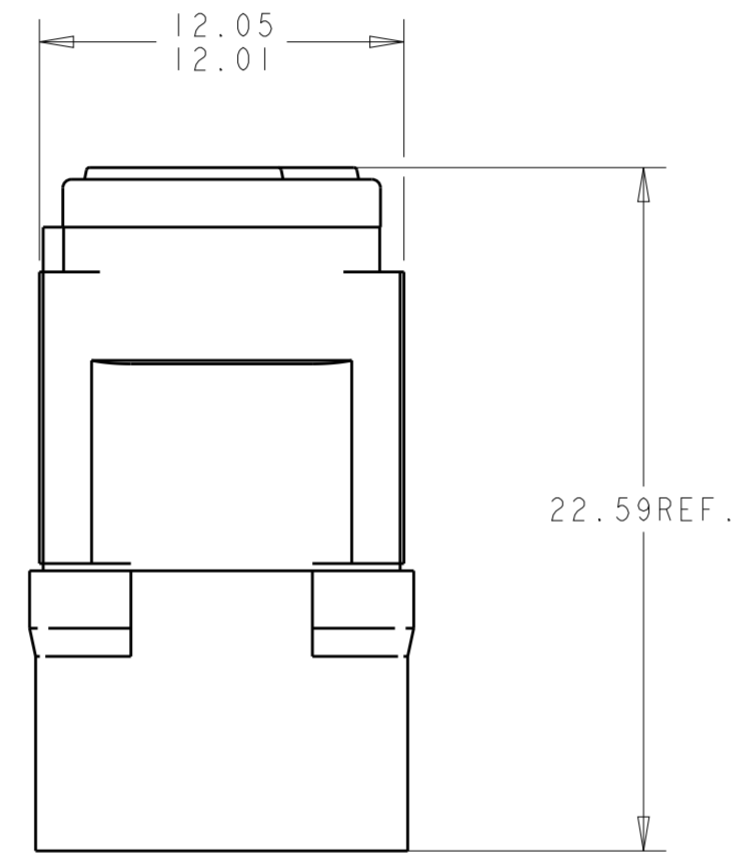


THIS DRAWING IS UNPUBLISHED. RELEASED FOR PUBLICATION  
 © COPYRIGHT - BY - ALL RIGHTS RESERVED.

REVISIONS				
P	LTR	DESCRIPTION	DATE	APVD
A		RELEASED PER ECO 17-012188	8-23-17	CT CD



MATING FACE



REAR FACE

- 1 INSULATOR: PEEK THERMOPLASTIC. COLOR: NATURAL.  
 CONTACT RETENTION CLIPS: COPPER ALLOY PER ASTM B194 OR STAINLESS STEEL PER ASTM A666.  
 REAR GROMMET & INTERFACIAL SEAL: FLUOROSILICONE ELASTOMER PER MIL-R-25988 B, EXCEPT 4.6.6.1.
- 2 DATE CODE (YY WW).
- 3. DESCRIPTIVE PART NUMBER: GPRBE3Q3PA  
 THIS INSERT CONTAINS 3 CAVITIES FOR SIZE 8 QUADRAX PIN CONTACTS.
- 4. THIS PRODUCT IS SOLD BY TYCO ELECTRONICS UNDER A LICENSE FROM RADIALL SA.

1877694-1  
 PART NUMBER

THIS DRAWING IS A CONTROLLED DOCUMENT.		DWN CJV	17 JAN 2006	TE Connectivity
		CHK JPM	17 JAN 2006	
		APVD JPM	17 JAN 2006	
		PRODUCT SPEC	-	
DIMENSIONS: mm 		TOLERANCES UNLESS OTHERWISE SPECIFIED: 0 PLC ±- 1 PLC ±0.5 2 PLC ±0.13 3 PLC ±0.013 4 PLC ±0.0001 ANGLES ±- FINISH -		NAME INSERT ASSEMBLY, PIN, ENVIRONMENTAL, ARRANGEMENT 303, KEY A, GPRB
MATERIAL 		APPLICATION SPEC	-	SIZE A200779
		WEIGHT	-	CAGE CODE C-1877694
		CUSTOMER DRAWING	SCALE 4:1	SHEET OF REV A

## X-ON Electronics

Largest Supplier of Electrical and Electronic Components

*Click to view similar products for [Rack & Panel Connectors](#) category:*

*Click to view products by [TE Connectivity](#) manufacturer:*

Other Similar products are found below :

[00170420102](#) [00171420202](#) [00171440002](#) [008026165000265](#) [00-8219-072-000-112P44](#) [008219072000112P5](#) [02-014-013-5200-000](#) [613467-000](#) [CTJ112E01E-513](#) [CTJ116E03A-513](#) [M81714/63-22S L/C](#) [M81714/65-12-1](#) [66020-2](#) [CW8958-000](#) [699886-000](#) [D250-50632](#)  
[70.400.3240.0](#) [70.955.2453.3](#) [733753-000](#) [F22831-000](#) [780-522-DPX34RG8-02](#) [MMA25-0341D1](#) [8660-501](#) [87.060.0053.0](#) [900709N001](#)  
[QRP4-12P-C\(01\)](#) [QR/P6-6S-C\(01\)](#) [AC-600003-004](#) [1218600-1](#) [D-659-0061](#) [DMC-MD 24 C-T](#) [1-445717-6](#) [1484398-2](#) [1484399-2](#) [1484469-2](#) [MR-34MG](#) [1484225-1](#) [1484398-1](#) [1604997-2](#) [1663130-1](#) [1663767-7](#) [1663767-8](#) [MTC100-BF1-P31CS015](#) [MTC100-KT2-0083](#) [MTC100-KT2-0123-003](#) [MTC100-YA1-005](#) [MTCB1X-105-XXX](#) [MTCPQKT1P2PGDC](#) [MTCPQKT1R2PGCA](#) [MTCR-103-04S](#)