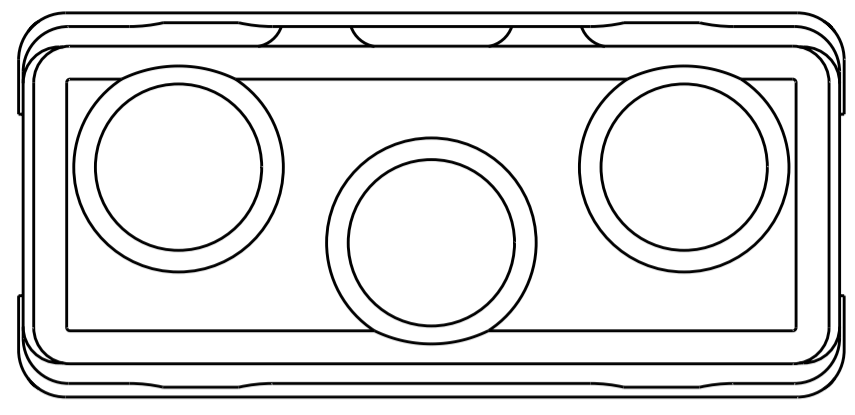
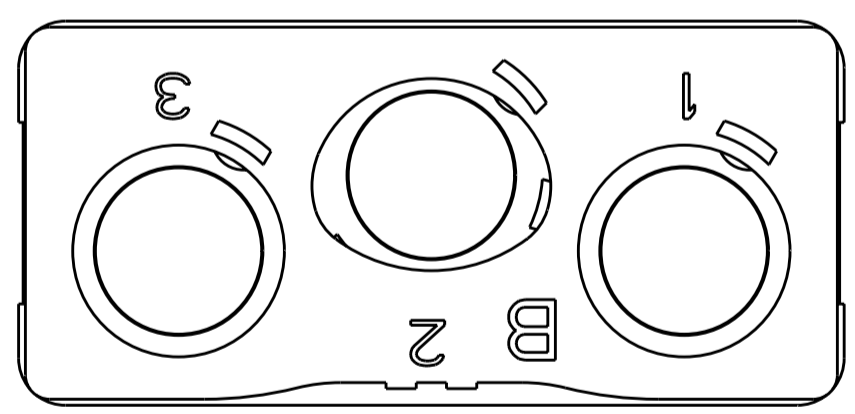
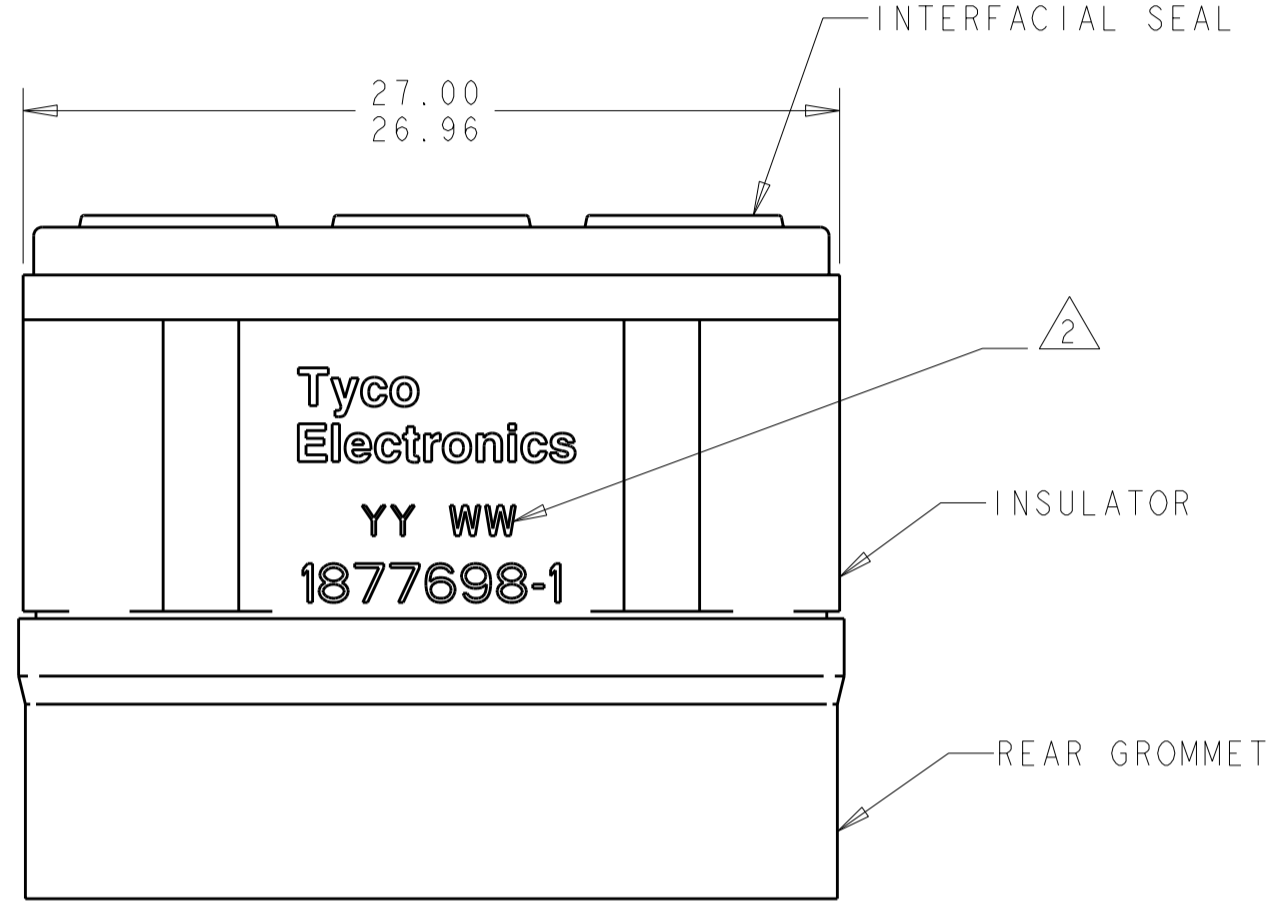
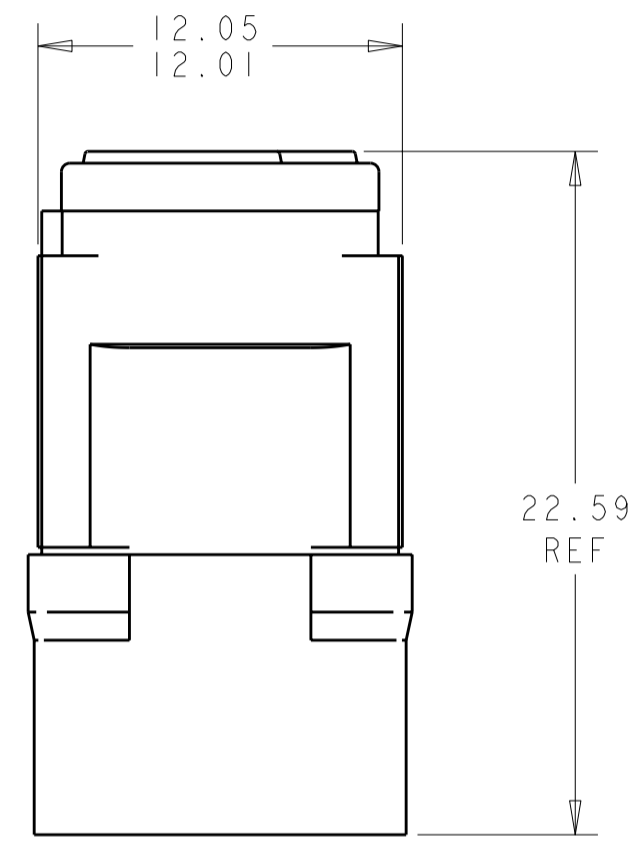


THIS DRAWING IS UNPUBLISHED. RELEASED FOR PUBLICATION 20
 © COPYRIGHT 20 BY TYCO ELECTRONICS CORPORATION. ALL RIGHTS RESERVED.

LOC	DIST	REVISIONS					
DF	A5	P	LTR	DESCRIPTION	DATE	DWN	APVD
		1		DRAWN	-	-	-
		2		REVISED	21MAY2010	RF	JM



MATING FACE



REAR FACE

1 INSULATOR: HIGH-TEMP THERMOPLASTIC. COLOR: NATURAL.
 CONTACT RETENTION CLIPS: COPPER ALLOY PER ASTM B194 OR
 STAINLESS STEEL PER ASTM A666.
 REAR GROMMET & INTERFACIAL SEAL: FLUOROSILICONE ELASTOMER PER
 MIL-R-25988 B, EXCEPT 4.6.6.1.

- 2 DATE CODE (YY WW).
- 3 DESCRIPTIVE PART NUMBER: GPRBE3Q3PA
 THIS INSERT CONTAINS 3 CAVITIES FOR SIZE 8 QUADRAX PIN CONTACTS.
- 4 THIS PRODUCT IS SOLD BY TYCO ELECTRONICS UNDER A LICENSE
 FROM RADIAL SA.

THIS PRINT IS
PRELIMINARY
 UNQUALIFIED PRODUCT
 CONTACT PRODUCT ENGINEERING
 BEFORE USING THIS PRINT

1877698-1
 PART
 NUMBER

THIS DRAWING IS A CONTROLLED DOCUMENT FOR TYCO ELECTRONICS CORPORATION IT IS SUBJECT TO CHANGE AND THE CONTROLLING ENGINEERING ORGANIZATION SHOULD BE CONTACTED FOR THE LATEST REVISION.		DWN BH 16NOV2006	Tyco Electronics Harrisburg, PA 17105-3608	
DIMENSIONS: mm		CHK JPM 16NOV2006	NAME INSERT ASSEMBLY, PIN, ENVIRONMENTAL, ARRANGEMENT 303, KEY B, GPRB	
TOLERANCES UNLESS OTHERWISE SPECIFIED: 0 PLC ± 1 PLC ±0.1 2 PLC ±0.05 3 PLC ± 4 PLC ± ANGLES ±1 FINISH		APVD JPM 16NOV2006		
MATERIAL		PRODUCT SPEC -	APPLIC. SPEC -	RESTRICTED TO -
1		WEIGHT -	SIZE A200779	CAGE CODE C-1877698
CUSTOMER DRAWING		SCALE 4:1	SHEET 1	REV 2

X-ON Electronics

Largest Supplier of Electrical and Electronic Components

Click to view similar products for [Rack & Panel Connectors](#) category:

Click to view products by [TE Connectivity](#) manufacturer:

Other Similar products are found below :

[00170420102](#) [00171420202](#) [00171440002](#) [008026165000265](#) [00-8219-072-000-112P44](#) [008219072000112P5](#) [02-014-013-5200-000](#) [613467-000](#) [CTJ112E01E-513](#) [CTJ116E03A-513](#) [M81714/63-22S L/C](#) [M81714/65-12-1](#) [66020-2](#) [CW8958-000](#) [699886-000](#) [D250-50632](#)
[70.400.3240.0](#) [70.955.2453.3](#) [733753-000](#) [F22831-000](#) [780-522-DPX34RG8-02](#) [MMA25-0341D1](#) [8660-501](#) [87.060.0053.0](#) [900709N001](#)
[QRP4-12P-C\(01\)](#) [QR/P6-6S-C\(01\)](#) [AC-600003-004](#) [1218600-1](#) [D-659-0061](#) [DMC-MD 24 C-T](#) [1-445717-6](#) [1484398-2](#) [1484399-2](#) [1484469-2](#) [MR-34MG](#) [1484225-1](#) [1484398-1](#) [1604997-2](#) [1663130-1](#) [1663767-7](#) [1663767-8](#) [MTC100-BF1-P31CS015](#) [MTC100-KT2-0083](#) [MTC100-KT2-0123-003](#) [MTC100-YA1-005](#) [MTCB1X-105-XXX](#) [MTCPQKT1P2PGDC](#) [MTCPQKT1R2PGCA](#) [MTCR-103-04S](#)