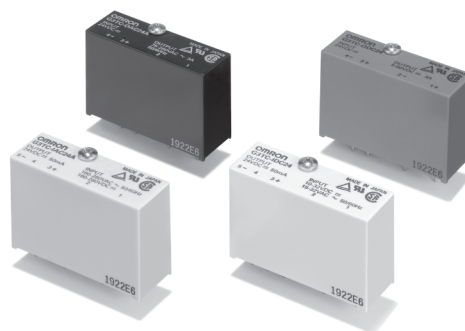


Solid State Relays for Industrial I/O

G3TC

Reliable SSRs for I/O Module Mounting Boards

- Use I/O SSRs as an interface between logic circuitry and the load.
- Variety of AC/DC input and output modules with industry-standard footprint and color coding.
- Built-in hold down screw fastens relay to board to eliminate loosening by vibration.
- Optical Isolation - Dielectric strength of 4 kV between input and output terminals.
- Zero cross function on AC output models.
- AC and DC input versions incorporate a rectifier to accept both AC or DC inputs.
- UL, CSA and TUV approved.



Ordering Information

Input Module

Function	Color	Isolation	Input operating voltage range	Logic level output supply voltage	Model
AC input	Yellow	Photo-coupler	90-140 VDC/AC	5 VDC	G3TC-IAC5 AC/DC120
				15 VDC	G3TC-IAC15 AC/DC120
				24 VDC	G3TC-IAC24 AC/DC120
			180-280 VDC/AC	5 VDC	G3TC-IAC5A AC/DC240
				15 VDC	G3TC-IAC15A AC/DC240
				24 VDC	G3TC-IAC24A AC/DC240
DC input	White		10-32 VDC/AC	5 VDC	G3TC-IDC5 DC/AC24
				15 VDC	G3TC-IDC15 DC/AC24
				24 VDC	G3TC-IDC24 DC/AC24

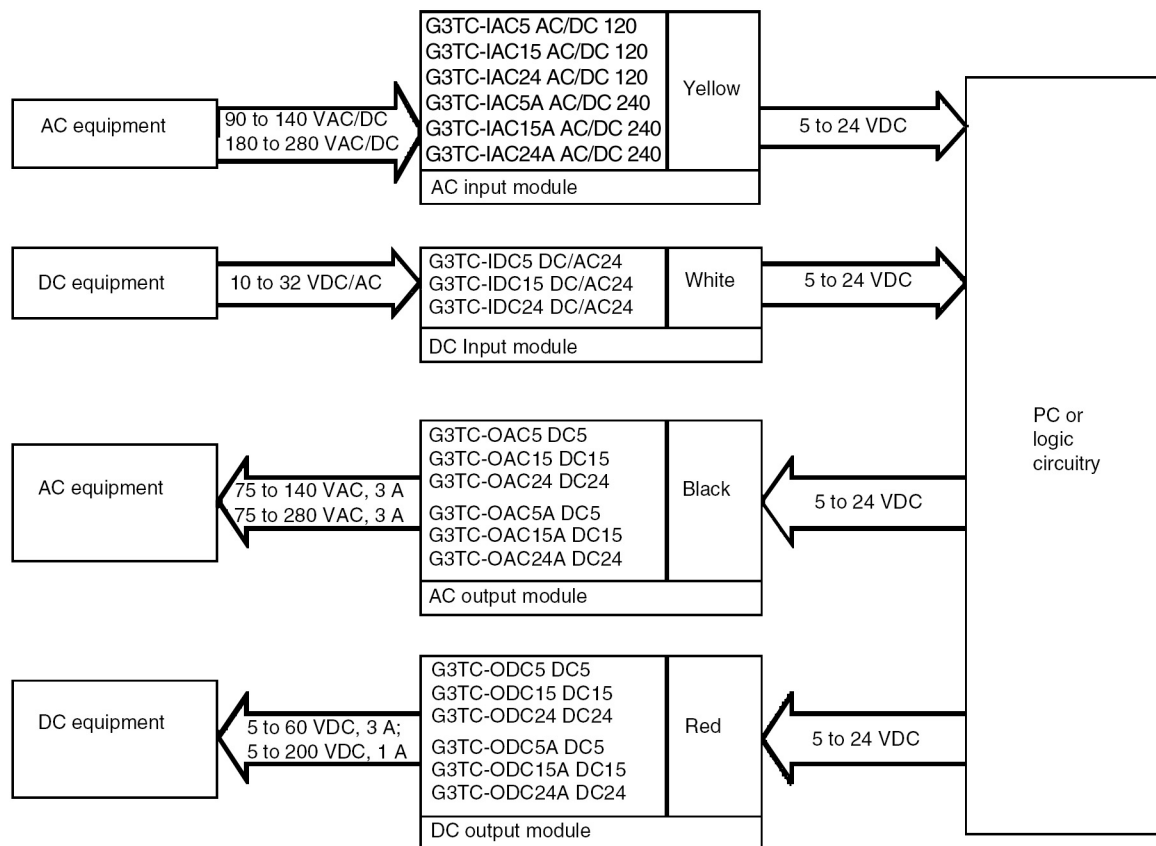
Output Module

Function	Color	Isolation	Rated input voltage	Rated output voltage (Applicable output voltage)	Model
AC output	Black	Photo-triac	5 VDC	3 A at 120 VAC (3 A at 75-140 VAC)	G3TC-OAC5 DC5
			15 VDC		G3TC-OAC15 DC15
			24 VDC		G3TC-OAC24 DC24
			5 VDC	3 A at 240 VAC (3 A at 75-280 VAC)	G3TC-OAC5A DC5
			15 VDC		G3TC-OAC15A DC15
			24 VDC		G3TC-OAC24A DC24
DC output	Red	Photo-coupler	5 VDC	3 A at 60 VDC (3 A at 5-60 VDC)	G3TC-ODC5 DC5
			15 VDC		G3TC-ODC15 DC15
			24 VDC		G3TC-ODC24 DC24
			5 VDC	1 A at 200 VDC (1 A at 5-200 VDC)	G3TC-ODC5A DC5
			15 VDC		G3TC-ODC15A DC15
			24 VDC		G3TC-ODC24A DC24

Typical Applications

- HVAC, refrigeration equipment
- Automation controls
- Injection molding machines
- Packaging equipment

I/O Classification by Color



Specifications

Common Characteristics

Insulation resistance	100 MΩ min at 500 VDC
Dielectric strength	4000 VAC, 50/60 Hz for 1 minute between input and output
Vibration resistance	Malfunction: 10 to 55 Hz, 1.5 mm double amplitude
Shock resistance	Malfunction: 1,000 m/s ²
Ambient temperature	Operating: -30°C to 80°C with no icing or condensation Storage: -30°C to 100°C with no icing or condensation
Ambient humidity	Operating: 45% to 85%
Approved standards	UL Recognized, CSA Certified, EN60950

■ AC Input Module G3TC-IAC

Ratings (Ambient Temperature 25°C)

Input

Item	G3TC-IAC5	G3TC-IAC15	G3TC-IAC24	G3TC-IAC5A	G3TC-IAC15A	G3TC-IAC24A
Rated voltage	120 VAC/DC			240 VAC/DC		
Operating voltage	90-140 VAC/DC			180-280 VAC/DC		
Must operate voltage	90 VAC/DC max.			180 VAC/DC max.		
Must release voltage	25 VAC/DC min.			45 VAC/DC min.		
Input current at rated voltage	5 mA max.			5 mA max.		
Input resistance (see note 1)	30 kΩ			69 kΩ		

Output

Item	G3TC-IAC5	G3TC-IAC15	G3TC-IAC24	G3TC-IAC5A	G3TC-IAC15A	G3TC-IAC24A
Output supply voltage-nominal	5 VDC	15 VDC	24 VDC	5 VDC	15 VDC	24 VDC
Output supply voltage-range	4.5-6 VDC	12-18 VDC	20-30 VDC	4.5-6 VDC	12-18 VDC	20-30 VDC
Output supply current at rated input voltage (see note 2)	18 mA max.	15 mA max.	12 mA max.	18 mA max.	15 mA max.	12 mA max.
Control resistance (Rc in circuit configuration - see note 1)	240 Ω	1 kΩ	2.2 kΩ	240 Ω	1k Ω	2.2k Ω
Output current	50 mA max.					

Characteristics

Item	G3TC-IAC5	G3TC-IAC15	G3TC-IAC24	G3TC-IAC5A	G3TC-IAC15A	G3TC-IAC24A
Operate time (see note 3)	20 ms max.					
Release time (see note 3)	20 ms max.					
Output ON voltage drop	0.4 V max.					
Leakage current	100 μA max.					
Weight	Approx. 40g					

Note: 1. Resistance values are reference.

2. The input module supplies the current on I/O circuit board at nominal output voltage.

3. At nominal output supply voltage, rated input voltage and 25°C.

■ DC Input Module G3TC-IDC

Ratings (Ambient Temperature 25°C)

Input

Item	G3TC-IDC5	G3TC-IDC15	G3TC-IDC24
Rated voltage	24 VDC/AC		
Operating voltage	10-32 VDC/ 15-32 VAC		
Must operate voltage	10 VDC/15 VAC max.		
Must release voltage	3 VDC/ 3 VAC min.		
Input current rated voltage	25 mA max.		
Input resistance (see note 1)	1.5 kΩ		

Output

Item	G3TC-IDC5	G3TC-IDC15	G3TC-IDC24
Output supply voltage-nominal	5 VDC	15 VDC	24 VDC
Output supply voltage-range	4.5-6 VDC	12-18 VDC	20-30 VDC
Output supply current at rated input voltage (see note 2)	18 mA max.	15 mA max.	12 mA max.
Control resistance (Rc in circuit configuration - see note 1)	240 Ω	1 kΩ	2.2 kΩ
Output current	50 mA max.		

Characteristics

Item	G3TC-IDC5	G3TC-IDC15	G3TC-IDC24
Operate time (see note 3)	5 ms max.		
Release time (see note 3)	5 ms max.		
Output ON voltage drop	0.4 V max.		
Leakage current	100 μ A max.		
Weight	Approx. 40g		

- Note:** 1. Resistance values are reference.
 2. The input module supplies the current on I/O circuit board at nominal output voltage.
 3. At nominal output supply voltage, rated input voltage and 25°C.

■ AC Output Module G3TC-OAC

Ratings (Ambient Temperature 25°C)

Input

Item	G3TC-OAC5	G3TC-OAC15	G3TC-OAC24	G3TC-OAC5A	G3TC-OAC15A	G3TC-OAC24A
Rated voltage	5 VDC	15 VDC	24 VDC	5 VDC	15 VDC	24 VDC
Operating voltage	2.5-8 VDC	9-16 VDC	18-32 VDC	2.5-8 VDC	9-16 VDC	18-32 VDC
Must operate voltage	2.5 VDC max.	9 VDC max.	18 VDC max.	2.5 VDC max.	9 VDC max.	18 VDC max.
Must release voltage	1 VDC min.					
Input current at rated voltage (see note 2)	18 mA max.					
Control resistance (R _c in circuit configuration - see note 1)	240 Ω	1 k Ω	2.2 k Ω	240 Ω	1 k Ω	2.2 k Ω

Output

Item	G3TC-OAC5	G3TC-OAC15	G3TC-OAC24	G3TC-OAC5A	G3TC-OAC15A	G3TC-OAC24A
Rated load voltage	120 VAC			240 VAC		
Load voltage range	75-140 VAC			75-280 VAC		
Load current	0.05 to 3 A					
Inrush current	45 A (60 Hz, 1 cycle)					

Characteristics

Item	G3TC-OAC5	G3TC-OAC15	G3TC-OAC24	G3TC-OAC5A	G3TC-OAC15A	G3TC-OAC24A
Operate time (see note 3)	1/2 of load power source cycle + 1 ms max.					
Release time (see note 3)	1/2 of load power source cycle + 1 ms max.					
Output ON voltage drop	1.6 V (RMS) max.					
Leakage current	2.5 mA max. (at 120 VAC)			5 mA max. (at 240 VAC)		
Weight	Approx. 45g					

- Note:** 1. Resistance values are reference.
 2. The output module supplies the current on I/O circuit board at nominal input voltage.
 3. At nominal output supply voltage, rated input voltage and 25°C.

■ DC Output Module G3TC-ODC

Ratings (Ambient Temperature 25°C)

Input

Item	G3TC-ODC5	G3TC-ODC15	G3TC-ODC24	G3TC-ODC5A	G3TC-ODC15A	G3TC-ODC24A
Rated voltage	5 VDC	15 VDC	24 VDC	5 VDC	15 VDC	24 VDC
Operating voltage	2.5-8 VDC	9-16 VDC	18-32 VDC	2.5-8 VDC	9-16 VDC	18-32 VDC
Must operate voltage	2.5 VDC max.	9 VDC max.	18 VDC max.	2.5 VDC max.	9 VDC max.	18 VDC max.
Must release voltage	1 VDC min.					
Input current at rated voltage (see note 2)	18 mA max.					
Control resistance (Rc in circuit configuration - see note 1)	240 Ω	1 kΩ	2.2 kΩ	240 Ω	1 kΩ	2.2 kΩ

Output

Item	G3TC-ODC5	G3TC-ODC15	G3TC-ODC24	G3TC-ODC5A	G3TC-ODC15A	G3TC-ODC24A
Rated load voltage	60 VDC			200 VDC		
Load voltage range	5-60 VDC			5-200 VDC		
Load current	0.01 to 3 A			0.01 to 1.0 A		
Inrush current	18 A (10 ms)			9 A (10 ms)		

Characteristics

Item	G3TC-ODC5	G3TC-ODC15	G3TC-ODC24	G3TC-ODC5A	G3TC-ODC15A	G3TC-ODC24A
Operate time (see note 3)	50 μs max.			100 μs max.		
Release time (see note 3)	50 μs max. (see note 4)			750 μs max.		
Output ON voltage drop	1.6 V max.					
Leakage current	1 mA max. (at 60 VDC)			1 mA max. (at 200 VDC)		
Weight	Approx. 45g			Approx. 40g		

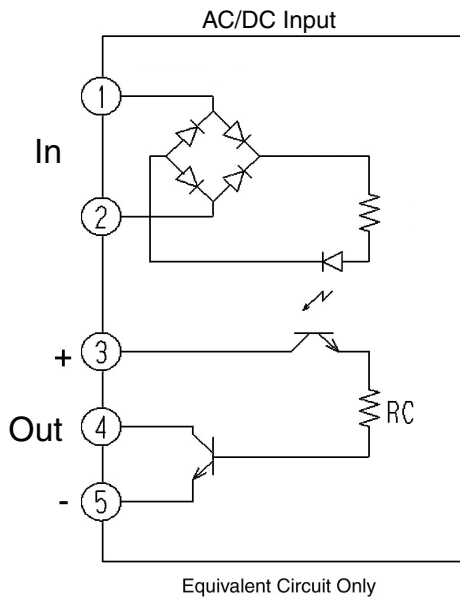
Note: 1. Resistance values are reference.

2. The output module supplies the current on I/O circuit board at nominal input voltage.
3. At rated load voltage, maximum rated load current, rated input voltage and 25°C.
4. At 24 VDC load voltage, 3 A load current and 25°C.

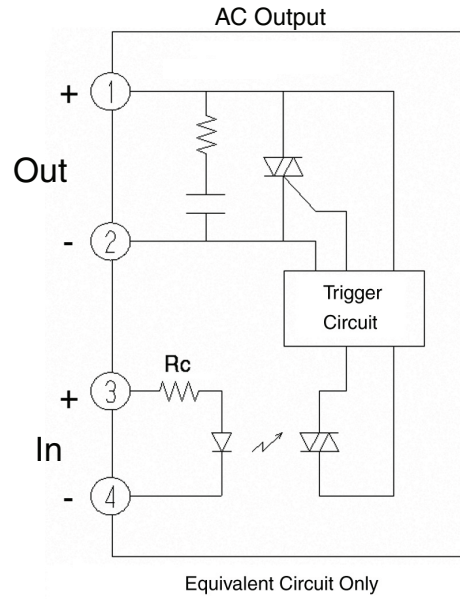
Engineering Data

Internal Circuit

G3TC-IAC/IDC

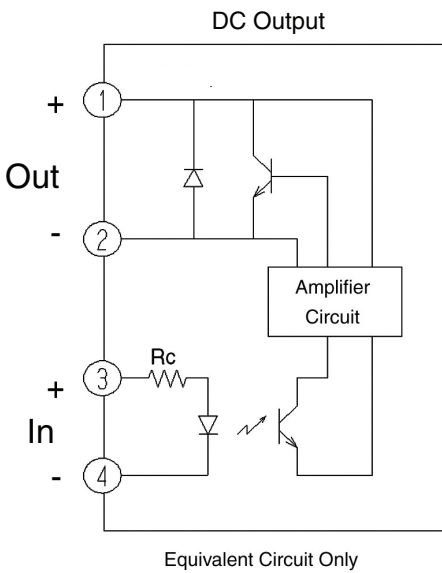


G3TC-OAC



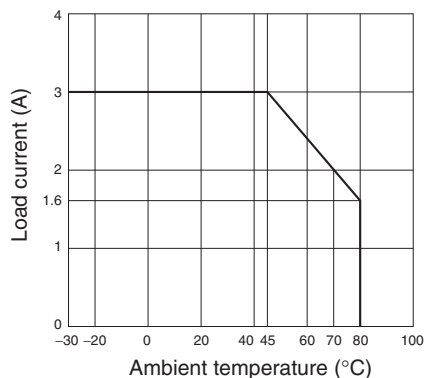
Note: Internal biasing circuitry is different between AC input and DC input modules

G3TC-ODC

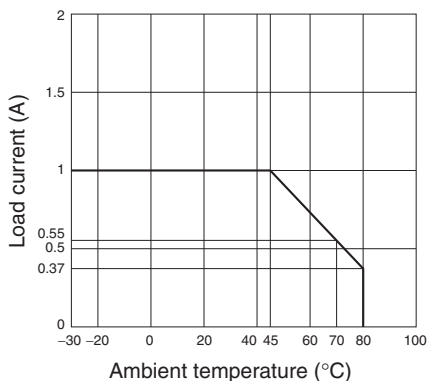


Load Current vs. Ambient Temperature Characteristics

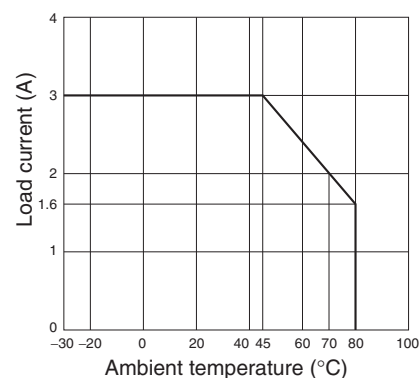
G3TC-ODC5
G3TC-ODC15
G3TC-ODC24



G3TC-ODC5A
G3TC-ODC15A
G3TC-ODC24A



G3TC-OAC5
G3TC-OAC15
G3TC-OAC24

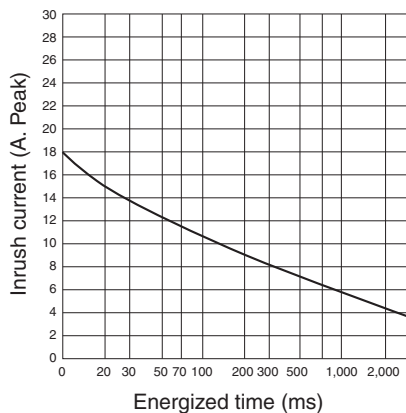


G3TC-OAC5A
G3TC-OAC15A
G3TC-OAC24A

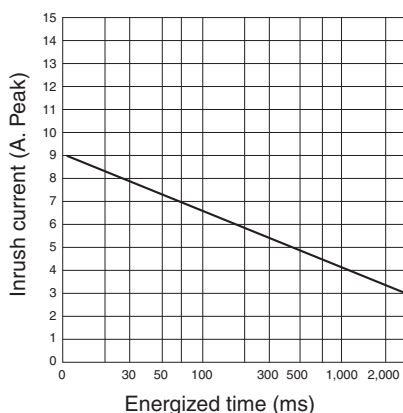
Inrush Current Resitivity

Non-repetitive (Keep inrush current to half the rated value if it occurs.)

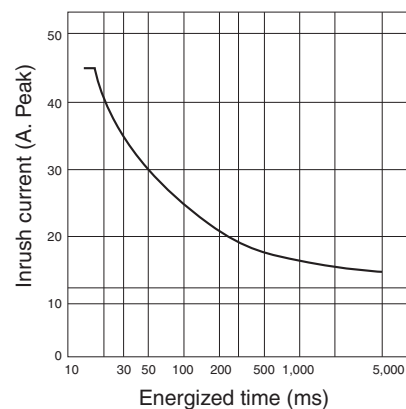
G3TC-ODC5
G3TC-ODC15
G3TC-ODC24



G3TC-ODC5A
G3TC-ODC15A
G3TC-ODC24A



G3TC-OAC5
G3TC-OAC15
G3TC-OAC24

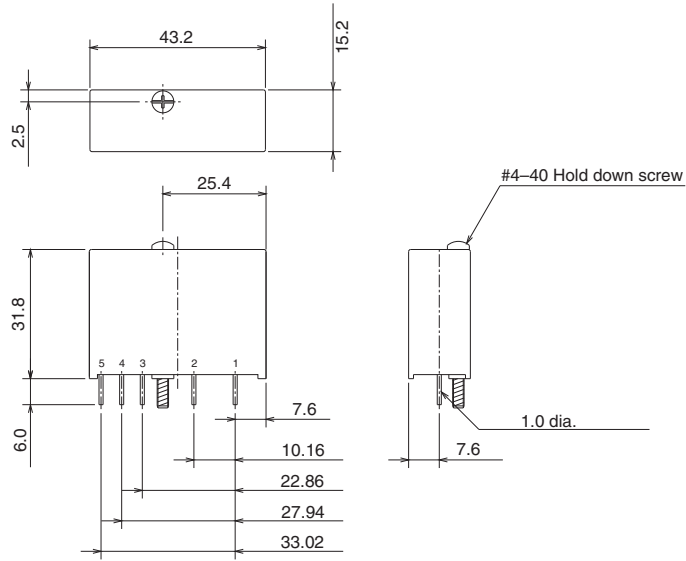
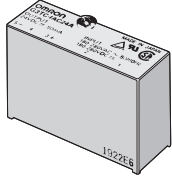


G3TC-OAC5A
G3TC-OAC15A
G3TC-OAC24A

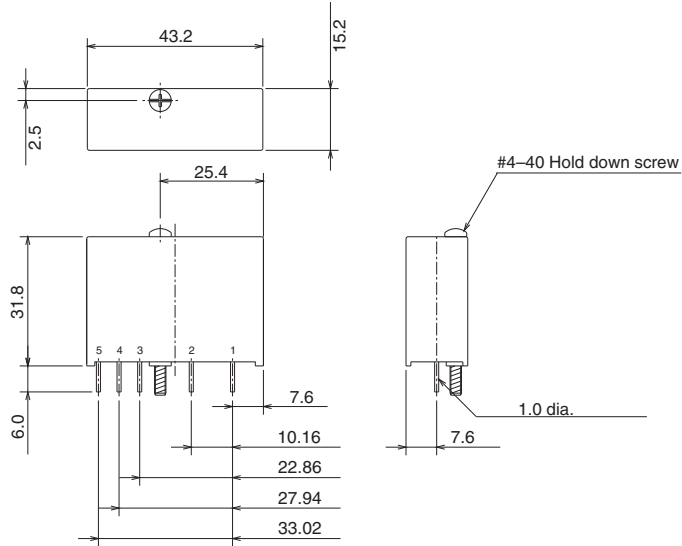
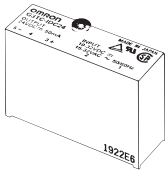
Dimensions

Note: All units are in millimeters unless otherwise indicated.

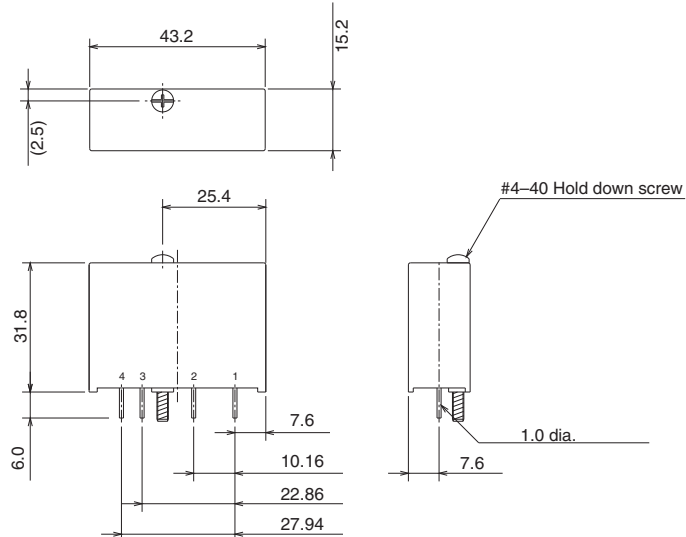
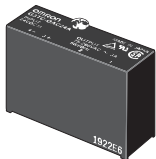
G3TC-IAC5 G3TC-IAC5A
 G3TC-IAC15 G3TC-IAC15A
 G3TC-IAC24 G3TC-IAC24A



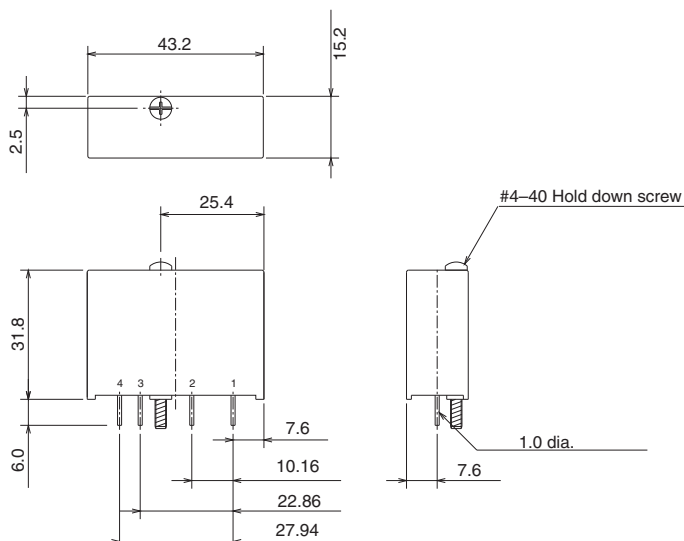
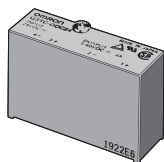
G3TC-IDC5
 G3TC-IDC15
 G3TC-IDC24



G3TC-OAC5 G3TC-OAC5A
 G3TC-OAC15 G3TC-OAC15A
 G3TC-OAC24 G3TC-OAC24A



G3TC-ODC5 G3TC-ODC5A
 G3TC-ODC15 G3TC-ODC15A
 G3TC-ODC24 G3TC-ODC24A



■ Approvals

UL Recognized (File No. E64562) / CSA Certified (File No. 35535) - - Ambient Temp. = 40°C

Input

Model	Input voltage
G3TC-IAC5, -IAC15, -IAC24	90-140 V AC/DC
G3TC-IAC5A, -IAC15A, -IAC24A	180-280 V AC/DC
G3TC-IDC5, -IDC15, -IDC24	10-32 VDC, 12-32 VAC
G3TC-ODC5, -ODC5A, -OAC5, -OAC5A	5 VDC
G3TC-ODC15, -ODC15A, -OAC15, -OAC15A	15 VDC
G3TC-ODC24, -ODC24A, -OAC24, -OAC24A	24 VDC

Output

Model	Load voltage	Load current
G3TC-IAC5, -IAC15, -IAC24	5/15/24 VDC	50 mA
G3TC-IAC5A, -IAC15A, -IAC24A	5/15/24 VDC	50 mA
G3TC-IDC5, -IDC15, -IDC24	5/15/24 VDC	50 mA
G3TC-ODC5, -ODC15, -ODC24	5-60 VDC	3 A
G3TC-ODC5A, -ODC15A, -ODC24A	5-200 VDC	1 A
G3TC-OAC5, -OAC15, -OAC24	75-140 VAC	3 A
G3TC-OAC5A, -OAC15A, -OAC24A	75-280 VAC	3 A

Note: The rated values approved by each of the safety standards (e.g., UL, CSA and TUV) may be different from the performance characteristics individually defined in this catalog.

Precautions

⚠ WARNING
Do not touch the relay while power is supplied or immediately after G3TC is turned OFF. Doing so may result in burns.

⚠ WARNING
Do not touch the load terminal of the G3TC immediately after the power is turned OFF, otherwise an electric shock may be received due to the residual charge of the built-in C/R circuit.

⚠ WARNING
Be sure to turn OFF the power supply to the G3TC before wiring, otherwise an electric shock may result.

⚠ WARNING
Ensure that a short-circuit current does not flow on the load side of the SSR, otherwise the G3TC may be damaged.

■ General Precautions

At OMRON, we are constantly working to improve the quality and reliability of our products. SSRs, however, use semiconductors, which are prone to malfunction. Be sure to use SSRs within their rated value. Use the SSR only in systems that are designed with redundancies, flame protection, counter measures to prevent operation errors, and other countermeasures to prevent accidents involving human life or fires.

1. Do not apply excessive voltage or current to the input or output circuit of the G3TC. Doing so may result in malfunction or burning.
2. Do not connect the input and output circuits incorrectly. Doing so may result in malfunction or burning.
3. Do not obstruct the flow of air around the G3TC. Abnormal heating of the G3TC may result in short-circuiting of output elements and burning.

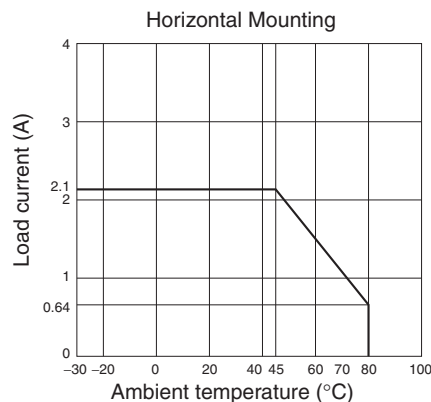
■ Correct Use

Before Actual Operation

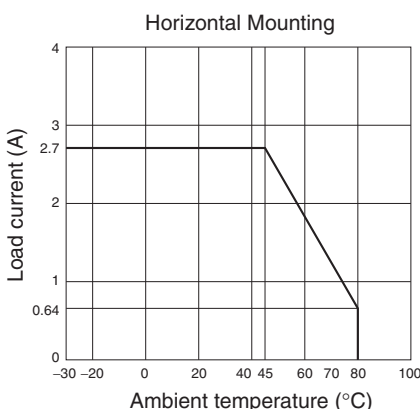
1. In actual operation, the G3TC may cause accidents that were unforeseeable at the theoretical stage. Therefore, it is necessary to test the G3TC under a variety of conditions that are possible. As for the characteristics of the G3TC, it is necessary to consider the differences between G3TC models.
2. The ratings in this datasheet are for testing in a temperature range of 15 to 30°C, a relative humidity range of 25% to 85%, and an atmospheric pressure range of 88 to 106kPa. When testing operation, it is necessary to confirm correct operation not only with the actual load that will be used, but also at the same ambient conditions as for actual operation.
3. The input circuitry does not incorporate a circuit protecting the SSR from being damaged due to a reversed connection. Make sure that the polarity is correct when connecting the input lines.
4. Only use the G3TC with loads that are within the rated values. Using the G3TC with loads outside the rated values may result in malfunction, damage, or burning.
5. Use a power supply within the rated frequency range. Using a power supply outside the rated frequency range may result in malfunction, damage, or burning.
6. No over-voltage absorption element is built in. Therefore, if the G3TC is connected to an inductive load, be sure to connect an over-voltage absorption element.
7. As protection against accidents due to short-circuiting, be sure to install protective devices, such as fuses on the power supply side.
8. Keep wiring separate from high-voltage power lines and use wires of an appropriate length, otherwise malfunction and damage may result due to induction.

9. For a DC inductive load, a diode should be connected in parallel with the load to absorb the counter electromotive force of the load.
10. For an I/O mounting rack that is installed horizontally, use the G3TC with loads that are within the following conditions.

G3TC-OAC5, -OAC5A, -OAC15, -OAC15A, -OAC24, -OAC24A



G3TC-ODC5, -ODC15, -ODC24



■ Operating and Storage Environments

Operating Ambient Temperature

The rated value for the ambient operating temperature of the G3TC is for when there is no built-up heat. For this reason, under conditions where heat dissipation is not good due to poor ventilation, and where heat may build up easily, the actual temperature of the G3TC may exceed the rated value resulting in malfunction or burning.

When using the G3TC, design the system to allow heat dissipation sufficient to stay below the Load Current vs. Ambient Temperature characteristic curve. Note also that the ambient temperature of the G3TC may increase as a result of environmental conditions (e.g., climate, air-conditioning) and operating conditions (e.g., mounting in an airtight panel).

Operating and Storage Locations

Do not use or store the G3TC in the following locations. Doing so may result in damage, malfunction, or deterioration of performance characteristics.

1. Do not use or store in locations subject to direct sunlight.
2. Do not use in locations subject to ambient temperatures outside the range -30° to 80°C.
3. Do not use in locations subject to relative humidity outside the range 45% to 85% or locations subject to condensation as the result of severe change in temperature.
4. Do not store in locations subject to ambient temperatures outside the range -30° to 100°C.
5. Do not use or store in locations subject to corrosive or flammable gases.
6. Do not use or store in locations subject to dust (especially iron dust) or salts.
7. Do not use or store in locations subject to shock or vibration.
8. Do not use or store in locations subject to exposure to water, oil, or chemicals.

Transportation

When transporting the G3TC, observe the following points. Not doing so may result in damage, malfunction, or deterioration of performance characteristics.

1. Do not drop the G3TC or subject it to severe vibrations or shock.
2. Do not transport the product if it is wet.

Vibration and Shock

Do not subject the SSR to excessive vibration or shock. Otherwise the SSR may malfunction and internal components may be damaged.

All sales are subject to Omron Electronic Components LLC standard terms and conditions of sale, which can be found at http://www.components.omron.com/components/web/webfiles.nsf/sales_terms.html

ALL DIMENSIONS SHOWN ARE IN MILLIMETERS.
To convert millimeters into inches, multiply by 0.03937. To convert grams into ounces, multiply by 0.03527.

OMRON[®]

**OMRON ELECTRONIC
COMPONENTS LLC**

55 E. Commerce Drive, Suite B
Schaumburg, IL 60173

847-882-2288

OMRON ON-LINE

Global - <http://www.omron.com>

USA - <http://www.components.omron.com>

Cat. No. X301-E-1b

09/11

Specifications subject to change without notice

Printed in USA

X-ON Electronics

Largest Supplier of Electrical and Electronic Components

Click to view similar products for [I/O Modules category](#):

Click to view products by [Omron manufacturer](#):

Other Similar products are found below :

[70L-IDC5S](#) [70L-OAC-L](#) [70Z3289-4](#) [G21960000700](#) [G21960002700](#) [G34960002700](#) [G88104401](#) [GUR02](#) [OACU](#) [C4SWOUT](#) [PB16H](#) [SM-IDC15](#) [G34960001700](#) [G77-S](#) [G78-16-E](#) [GP34829091724](#) [GP34960005700](#) [JQP4](#) [ODC-24A](#) [IDC5P](#) [FC6A-N16B1](#) [6421](#) [FC6A-N32B3](#) [70MRCQ32-HL](#) [C200H-LK201-V1](#) [G3TA-OA202SZ-US](#) [DC12](#) [GT1-OD16](#) [GT1-AD04CST](#) [GT1-DA04](#) [B7AM-6BS](#) [GRT1-ML2](#) [GRT1-TS2P](#) [CRT1-ID16TAH-1](#) [70GRCQ24-HS](#) [CRT1-ID08](#) [G7TC-ID16 DC24V](#) [CRT1-ID08-1](#) [84110210](#) [6422](#) [AIIS-DIO32-00A1E](#) [84110410](#) [GT1-OD16MX](#) [GRT1-PC8](#) [G7VC-OC16-B7](#) [G7TC-OC08-1 DC24V](#) [G7TC-IA16 AC200/220V](#) [G7TC-OC08 DC24V](#) [70MRCK24-DIN](#) [2736505](#) [ODC5AQ](#)