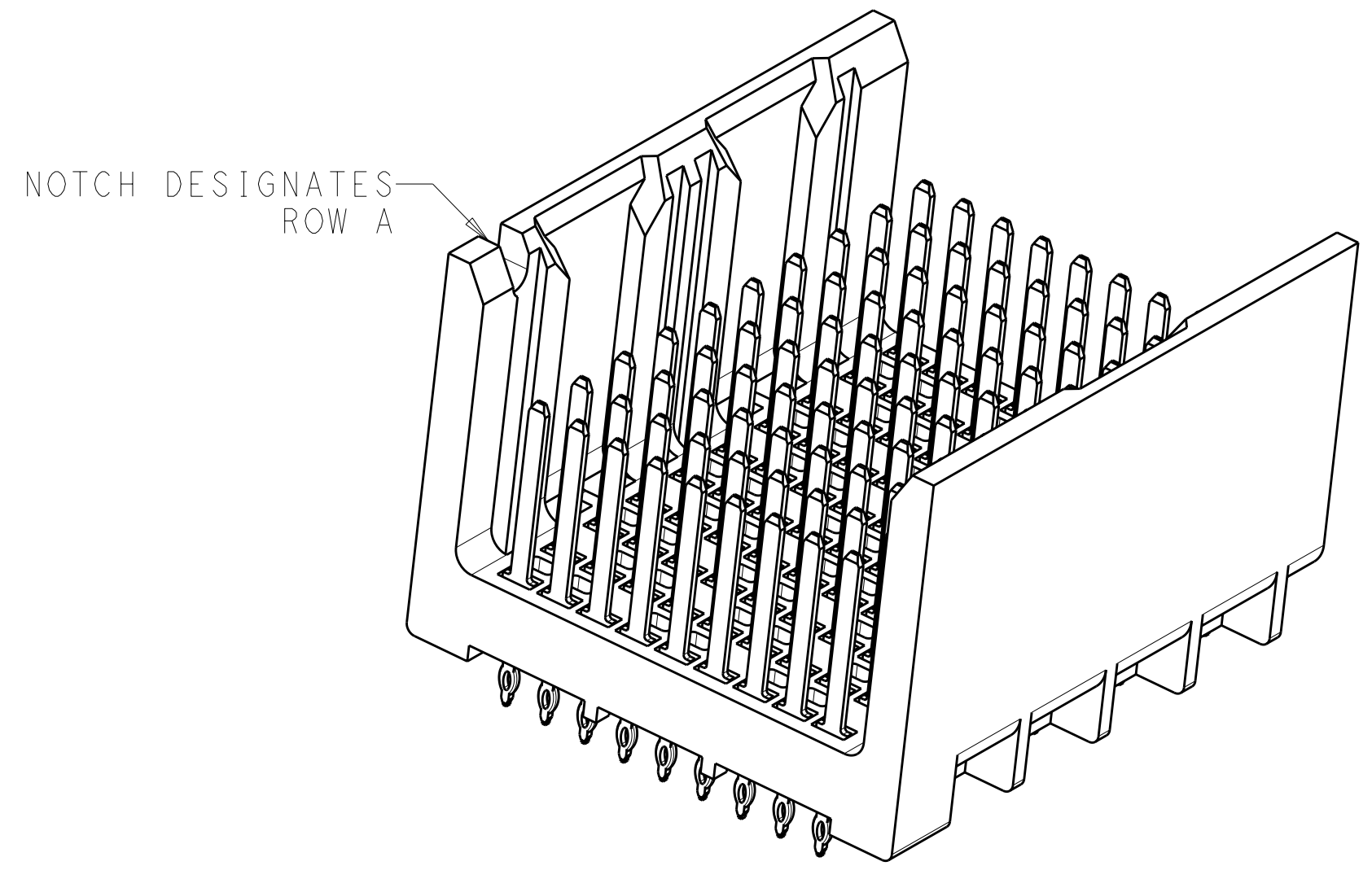
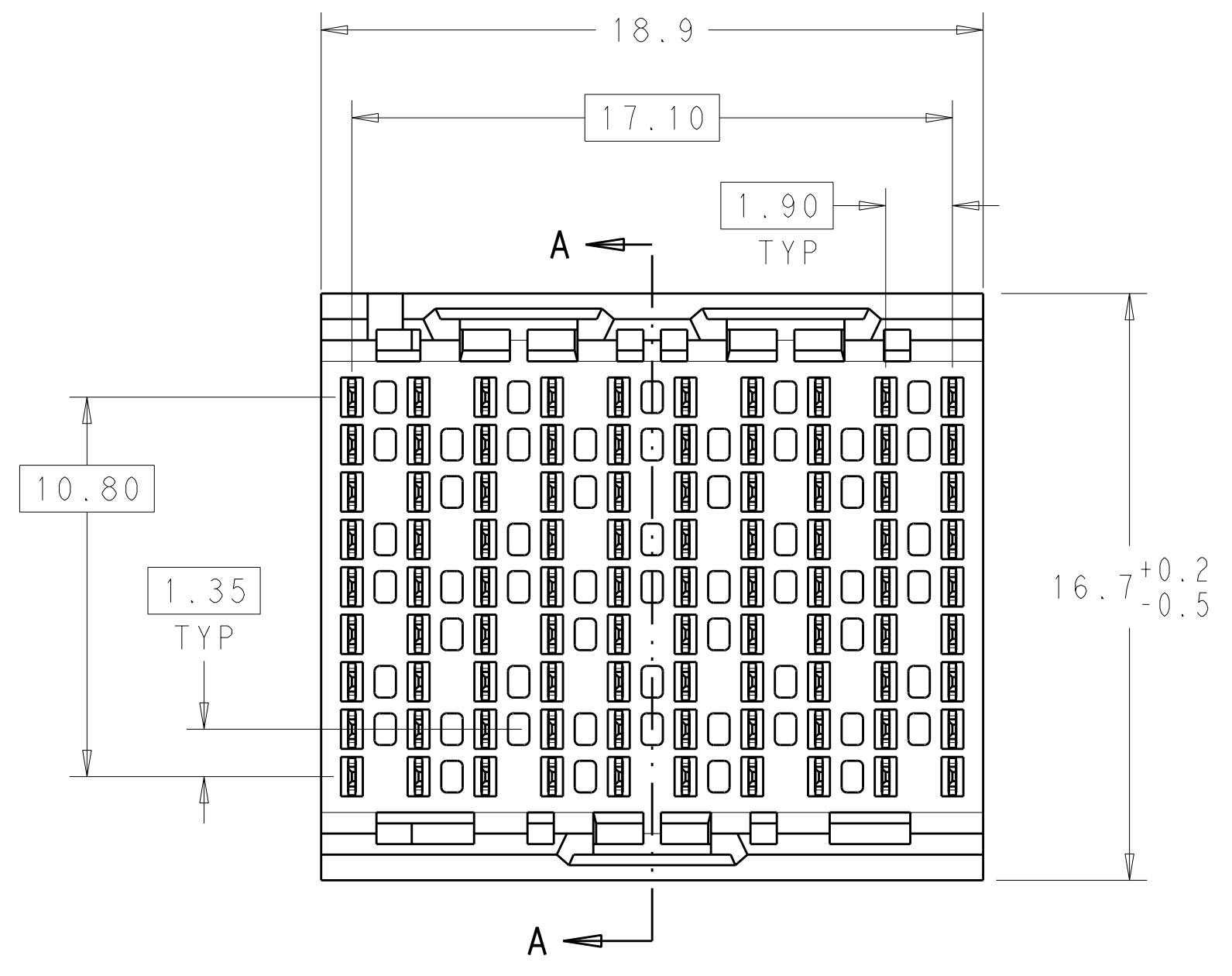
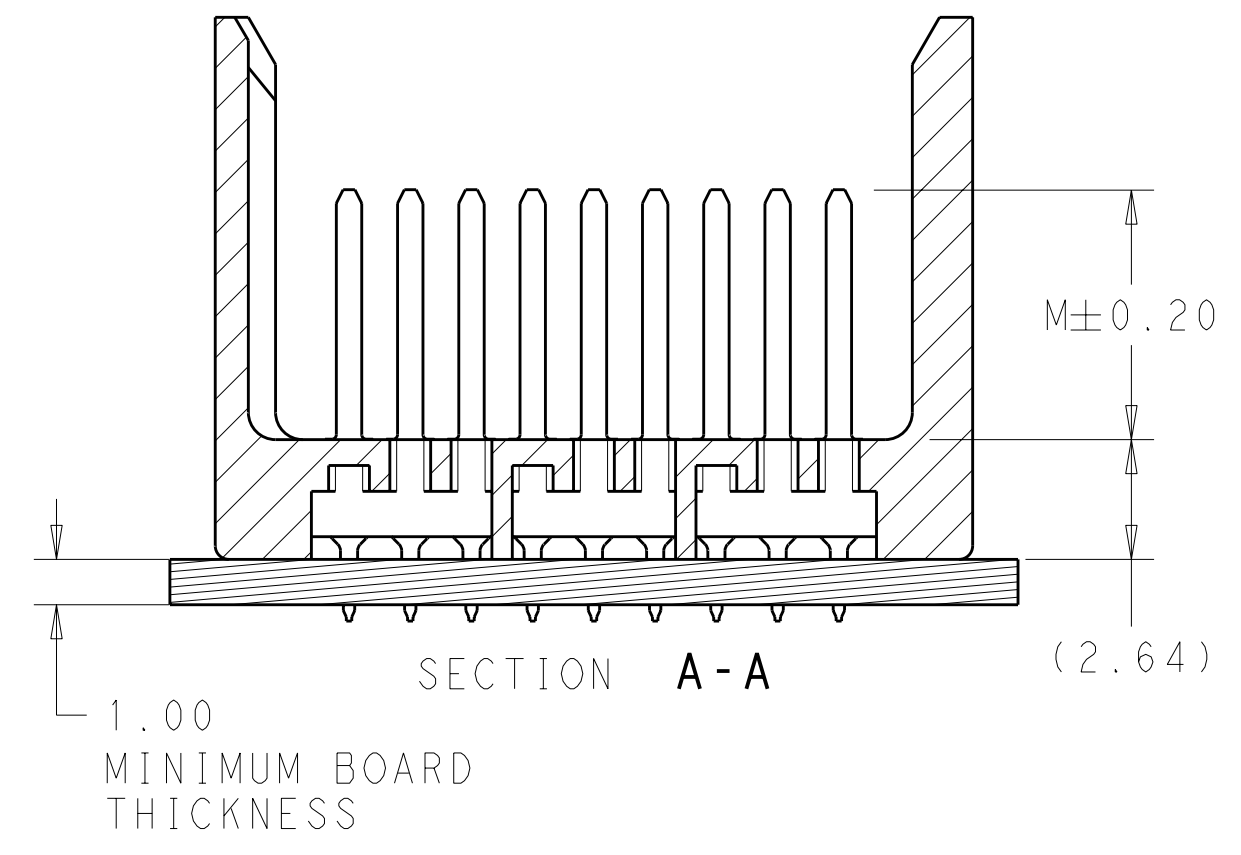
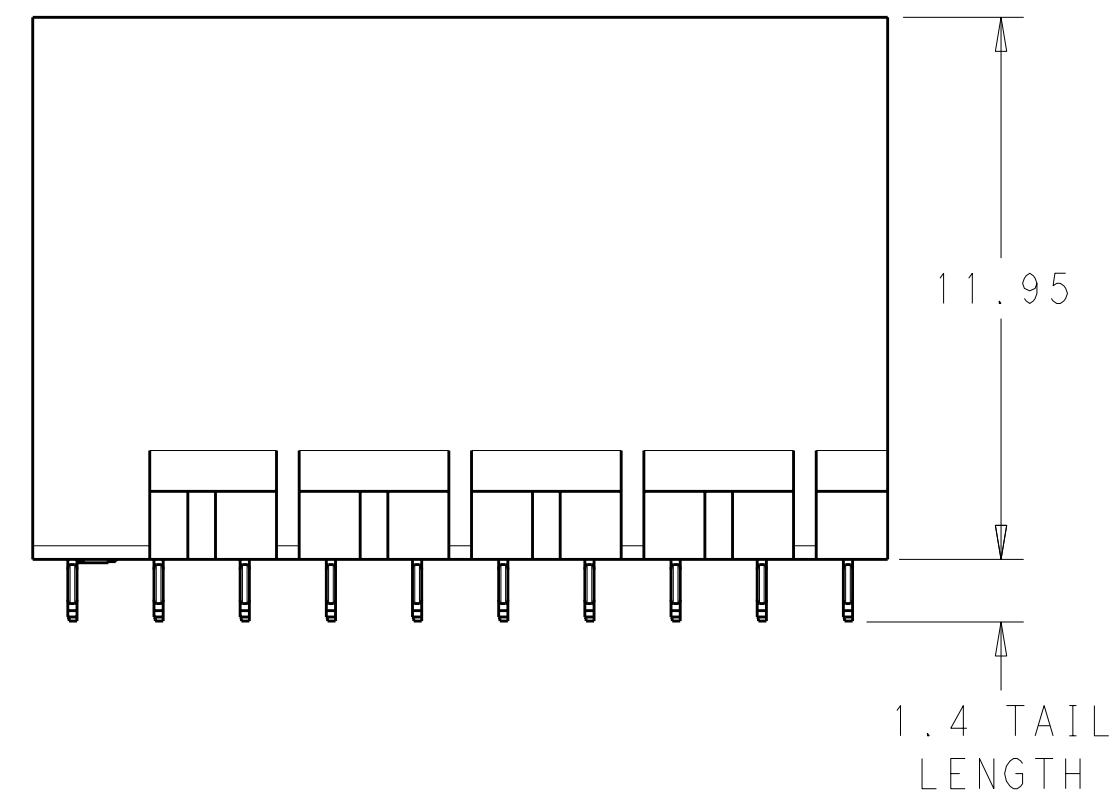
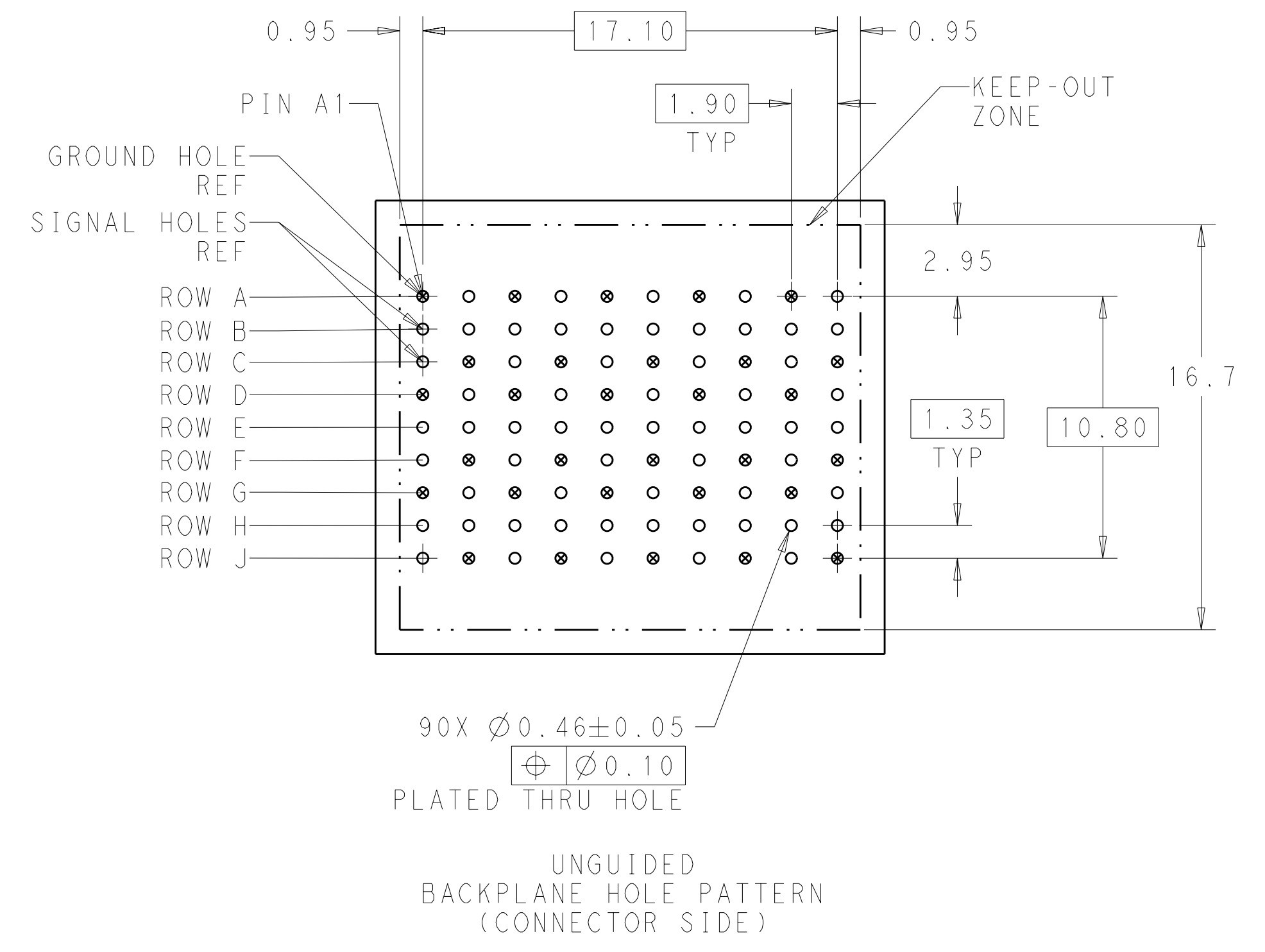


| LOC | DIST | REV | DATE | BY | APPD |
|-----------|------|-----|---------------------------|---------|------|
| AD | 00 | C | 22DEC11 | KH | DY |
| REVISIONS | | | DESCRIPTION | DATE | DWN |
| C | | | REVISED PER ECO-11-025276 | 22DEC11 | KH |



- 1 MATERIAL:
HOUSING: LCP, GLASS FILLED, UL94V-0.
TERMINALS: HIGH PERFORMANCE COPPER ALLOY.
- 2 FINISH:
30μ" MIN GOLD IN CONTACT AREA. SELECTIVE TIN
ON PCB TAILS, NICKEL OVERALL.
- 3 FINISH:
30μ" MIN GOLD IN CONTACT AREA. SELECTIVE TIN-LEAD
ON PCB TAILS, NICKEL OVERALL.




| | | | | |
|--|---|---------------------|------------------|---|
| THIS DRAWING IS A CONTROLLED DOCUMENT. | | DWN J. K. SHOBER | 22DEC11 | TE Connectivity |
| DIMENSIONS: | | CHK J. EARY | 22DEC11 | |
| mm | TOLERANCES UNLESS OTHERWISE SPECIFIED: | APVD J. EARY | 22DEC11 | NAME IMPACT, 3 PAIR, 10 COLUMN, HEADER UNGUIDED, OPEN END WALL SIGNAL MODULE, 0.46 PTH |
| | 9 PLC ± 1 PLC ±0.25 2 PLC ±0.13 3 PLC ± 4 PLC ± ANGLES ± | PRODUCT SPEC | APPLICATION SPEC | SIZE CAGE CODE DRAWING NO. RESTRICTED TO |
| MATERIAL | FINISH SEE TABLE | WEIGHT | CUSTOMER DRAWING | A100779C=2007784 |
| SCALE 6:1 | | | SHEET 1 OF 2 | REV C |

THIS DRAWING IS UNPUBLISHED. RELEASED FOR PUBLICATION 20
 © COPYRIGHT 20 . . . ALL RIGHTS RESERVED.

| LOC | DIST | REVISIONS | | | | |
|-----|------|-----------|-----|-------------|-----|------|
| AD | 00 | P | LTB | DATE | DWN | APVD |
| | | - | - | SEE SHEET 1 | - | - |
| | | | | | | |
| | | | | | | |

| FINISH | DIM M | PART NUMBER |
|---------------|-------|-------------|
| \triangle_3 | 5.5 | 2007784-6 |
| \triangle_3 | 4.9 | 2007784-5 |
| \triangle_3 | 4.5 | 2007784-4 |
| \triangle_2 | 5.5 | 2007784-3 |
| \triangle_2 | 4.9 | 2007784-2 |
| \triangle_2 | 4.5 | 2007784-1 |

REFER TO WWW.TE.COM
FOR PRODUCT AVAILABILITY

| | | | | |
|--|--|---------------------|---------|---|
| THIS DRAWING IS A CONTROLLED DOCUMENT. | | DWN J. K. SHOBER | 22DECT1 |  TE Connectivity |
| DIMENSIONS: mm | | CHK J. EABY | 22DECT1 | |
| TOLERANCES UNLESS OTHERWISE SPECIFIED: 9 PLC ± 7 PLC ±0.25 5 PLC ±0.13 4 PLC ± ANGLES ± | | APVD J. EABY | 22DECT1 | NAME IMPACT, 3 PAIR, 10 COLUMN, HEADER UNGUIDED, OPEN END WALL SIGNAL MODULE, 0.46 PTH |
| MATERIAL - | | FINISH SEE TABLE | | RESTRICTED TO - |
| APPLICATION SPEC | | WEIGHT - | | SIZE CAGE CODE DRAWING NO A100779C=2007784 |
| CUSTOMER DRAWING | | SCALE 5:1 | | SHEET 2 OF 2 REV C |

X-ON Electronics

Largest Supplier of Electrical and Electronic Components

Click to view similar products for [High Speed/Modular Connectors](#) category:

Click to view products by [TE Connectivity](#) manufacturer:

Other Similar products are found below :

[2332816-1](#) [89006-1137LF](#) [650827-1](#) [65762-001LF](#) [73474-201LF](#) [74040-1346](#) [74075-0267](#) [1410191-1](#) [1410337-1](#) [1410368-3](#) [1410964-2](#)
[1410367-3](#) [1410971-4](#) [1467833-1](#) [2000877-1](#) [2000878-1](#) [2041314-1](#) [2065387-1](#) [2187307-1](#) [2187462-1](#) [2226278-6](#) [KA81-07](#) [91290-101LF](#)
[163P](#) [1934290-1](#) [2000875-1](#) [2065917-1](#) [2102736-2](#) [FSR-40](#) [2169868-2](#) [2226279-2](#) [22354-8](#) [437-5040-000](#) [5-1393565-0](#) [532449-3](#) [532803-](#)
[2](#) [34745-0001](#) [0736440217](#) [1-1393708-5](#) [72388-0021LF](#) [73774-1000](#) [532939-1](#) [5-531355-3](#) [5532901-3](#) [85838-180LF](#)
[HM1S43TRR460H6PLF](#) [0760205010](#) [1-966831-4](#) [3-1469268-7](#) [77427-121LF](#)