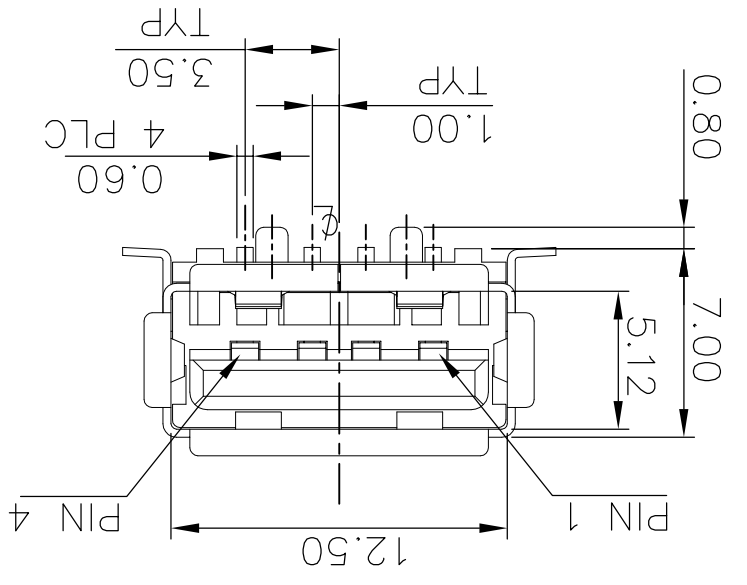
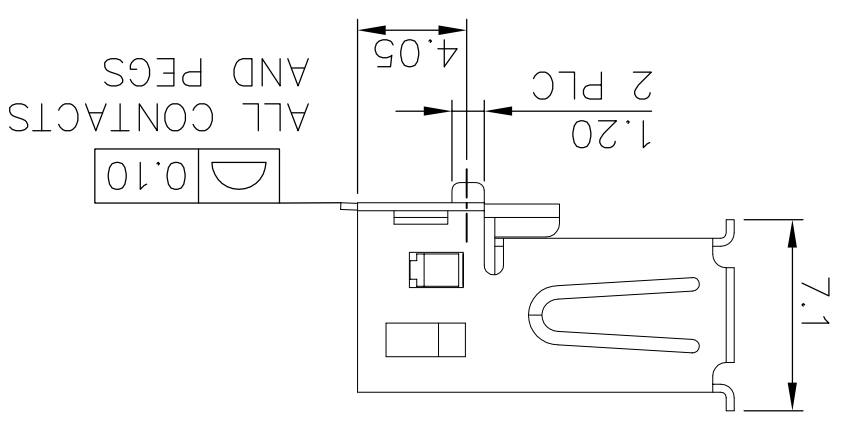
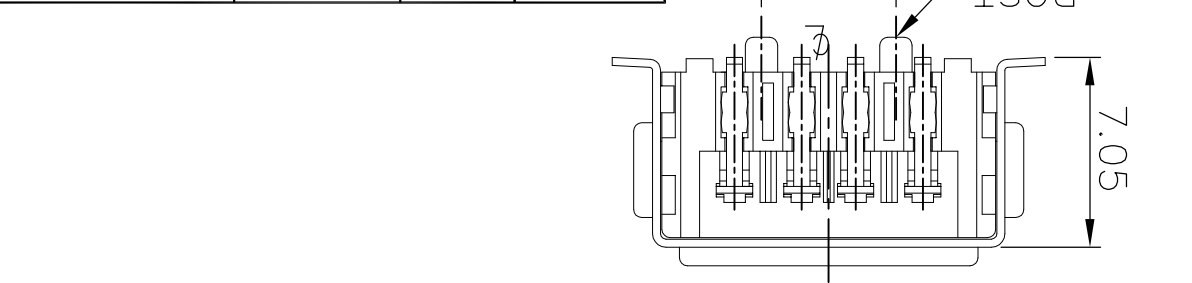


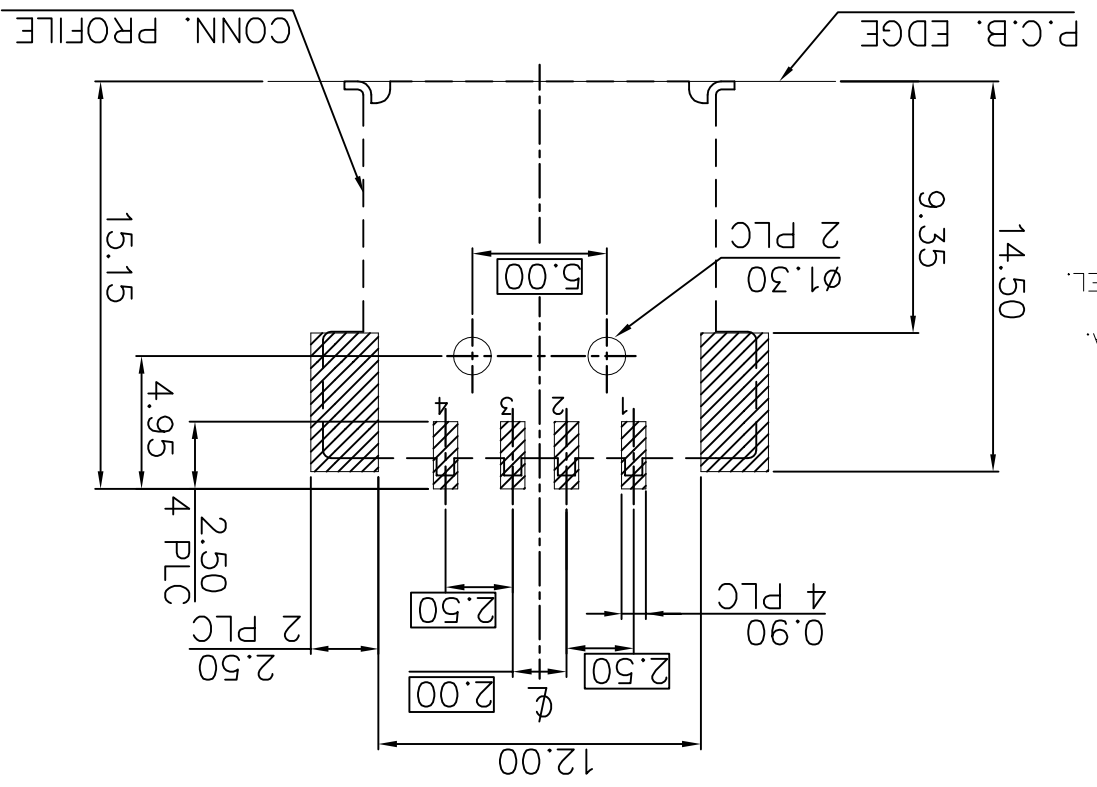
CUSTOMER DRAWING		SCALE	SHEET 1 OF 4	REV B4
WEIGHT 1.82 GRAMS		SIZE A3	CAGE CODE 00779	DRAWING NO 1734082
501-57579		PRODUCT SPEC 108-57505	USB CON, RCPT, ASS'Y, R/A SMT, A TYPE	
APVD 200C12005		NAME W.J. KE	TF Connectivity	
CHK 200C12005		S. HSU	TF Connectivity	
DWN 200C12005		O. HU	TF Connectivity	

POST	COLOR	PART NUMBER
W/O	WHITE	1734082-1
W/O	BLACK	1734082-2
W/	WHITE	1-1734082-1
W/	BLACK	1-1734082-2

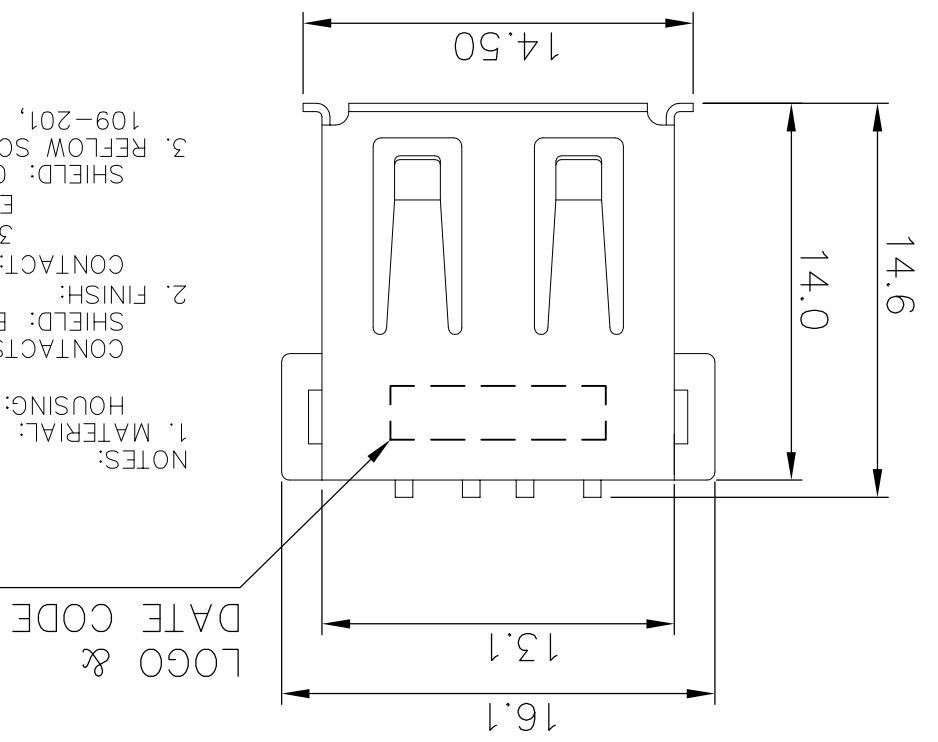
SEE NOTE	MATERIAL
SEE NOTE	FINISH
SEE NOTE	ANGLES
SEE NOTE	0 PLC
SEE NOTE	1 PLC
SEE NOTE	2 PLC
SEE NOTE	3 PLC
SEE NOTE	4 PLC



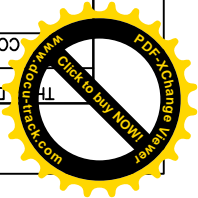
RECOMMENDED P.C.B. LAYOUT (THICKNESS=1.6mm)
(TOP VIEW) TOLERANCES: ±0.05

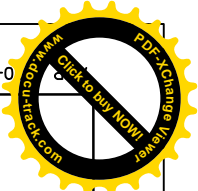


- NOTES:
- MATERIAL: THERMOPLASTIC WITH 30% GF, UL 94V-0, COLOR: (SEE TABLE). CONTACTS: PHOSPHOR BRONZE, THICKNESS=0.25mm. SHIELD: BRASS, THICKNESS=0.30mm.
 - FINISH: CONTACT: 0.762µm [30µ"] MIN. GOLD PLATED ON CONTACT AREA. ENTIRE CONTACT UNDERPLATED 1.27µm [50µ"] MIN. NICKEL. 3.048µm [120µ"] MIN. BRIGHT-TIN ON SOLDER TAIL, WITH SHIELD: 0.762µm [30µ"] MIN. NICKEL OVER 0.762µm [30µ"] MIN.
 - REFLOW SOLDER CAPABLE TO 260°C PER TE TEST SPEC. 109-201, CONDITION B.



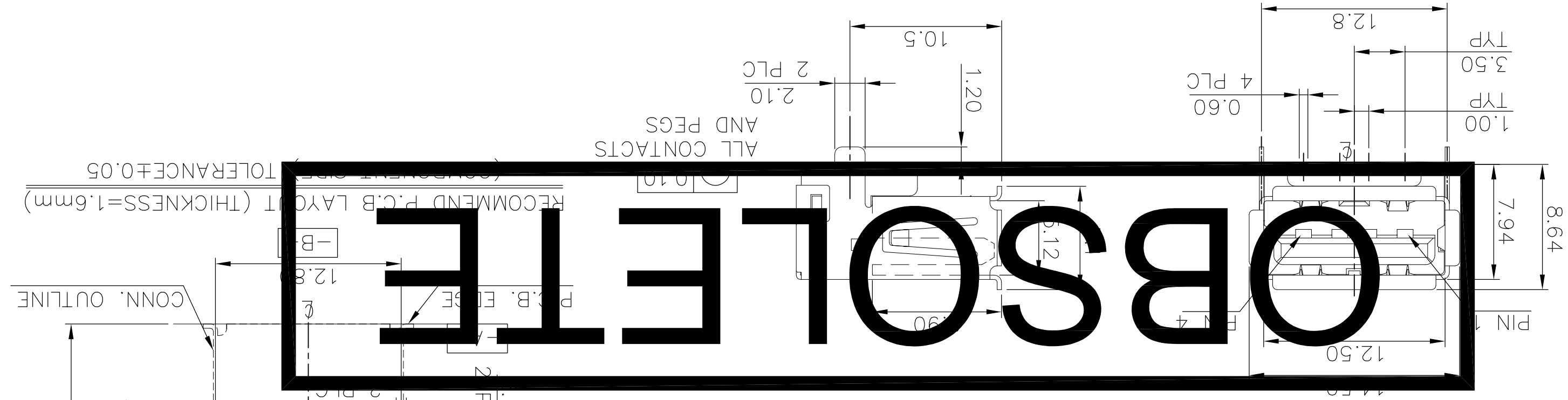
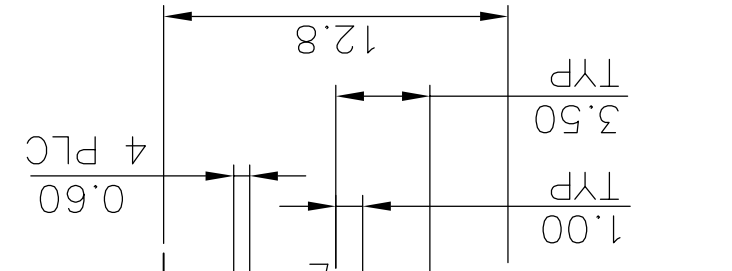
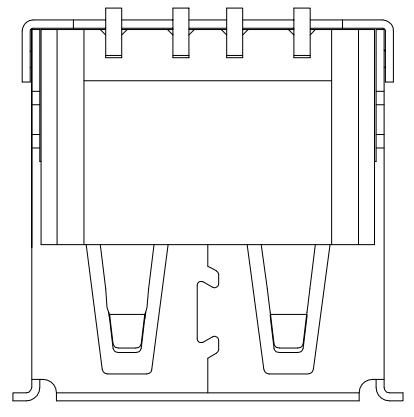
LOC	DW	DIST	P	LTR	B4	REVISED. (ECR-15-011655)	17AUG15	S.C.H.L.
REVISIONS	DESCRIPTION	DATE	DWN	APVD				





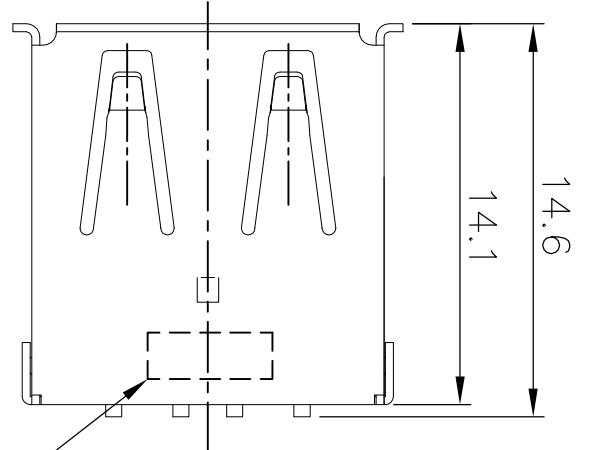
CUSTOMER DRAWING		SCALE	SHEET 2 OF 4	REV B4
WEIGHT		SIZE	CAGE CODE	DRAWING NO
APPLICATION SPEC		PRODUCT SPEC	USB CON, RCPT, ASS'Y, R/A SMT, A TYPE	
APVD		NAME	TE Connectivity	
CHK		THIS DRAWING IS A CONTROLLED DOCUMENT.		
DWN		TOLERANCES UNLESS OTHERWISE SPECIFIED:		
FINISH		DIMENSIONS: MM		
ANGLES		0 PLC		
± .3		1 PLC		
± .15		2 PLC		
± .05		3 PLC		
± .025		4 PLC		
SEE NOTE		SEE NOTE		

PART NUMBER
2-1734082-1



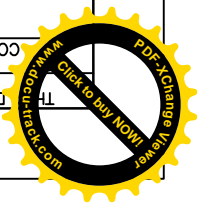
OBSOLETE
 RECOMMEND P.C.B LAYOUT (THICKNESS=1.6mm)
 (COMMENT ON THE TOLERANCE±0.05)

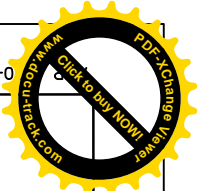
- NOTES:
- MATERIAL: HOUSING: THERMOPLASTIC WITH 30% GF, UL 94V-0, COLOR: BLACK. CONTACTS: PHOSPHOR BRONZE, THICKNESS=0.25mm. SHIELD: BRASS, THICKNESS=0.30mm.
 - FINISH: CONTACT: 0.762µm [30µ"] MIN. GOLD PLATED ON CONTACT AREA. ENTIRE CONTACT UNDERPLATED 1.27µm [50µ"] MIN. NICKEL. 3.048µm [120µ"] MIN. BRIGHT-TIN ON SOLDER TAIL, WITH SHIELD: 0.762µm [30µ"] MIN. NICKEL OVER 0.762µm [30µ"] MIN.
 - REFLOW SOLDER CAPABLE TO 260°C PER TE TEST SPEC. 109-201, CONDITION B.



LOC	DW	P	LTR	DESCRIPTION	DATE	DWN	APVD
				SEE SHEET 1.			

DRAWING IS UNPUBLISHED. RELEASED FOR PUBLICATION AUG 2006 ALL RIGHTS RESERVED. BY TYCO ELECTRONICS CORPORATION. COPYRIGHT 2009
 LOGO & DATE CODE

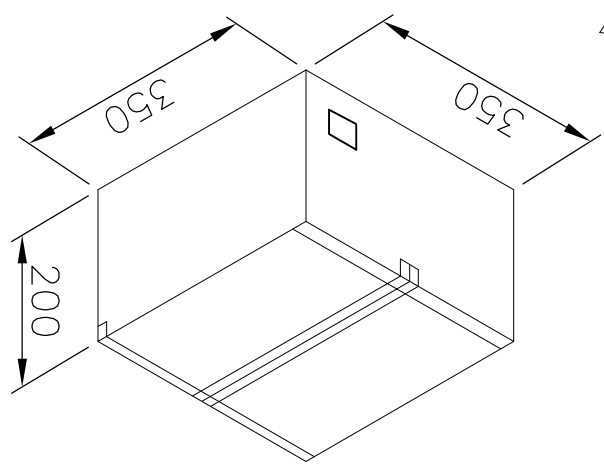
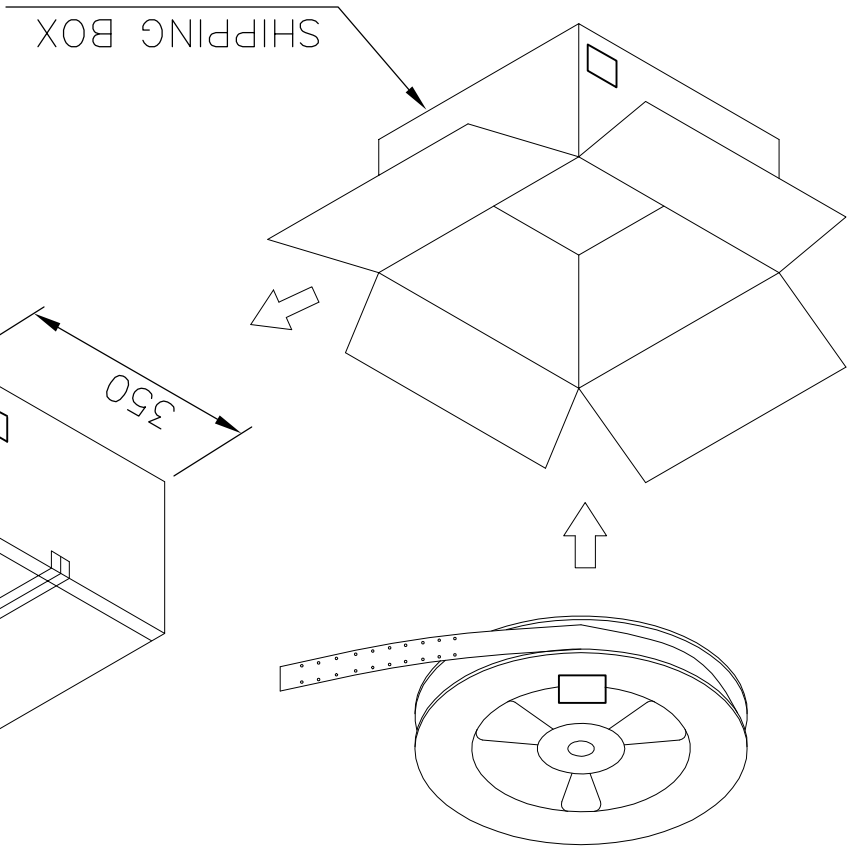
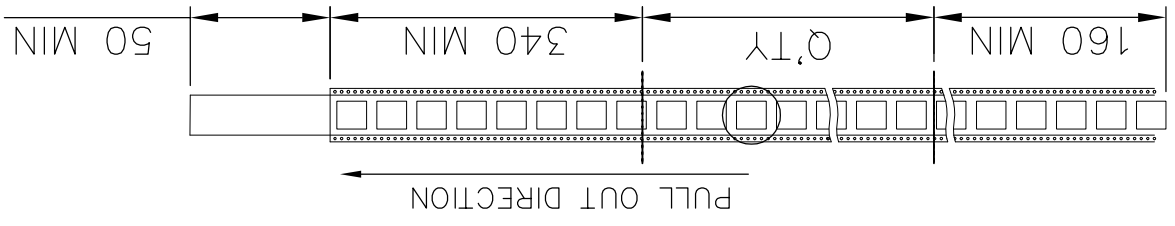
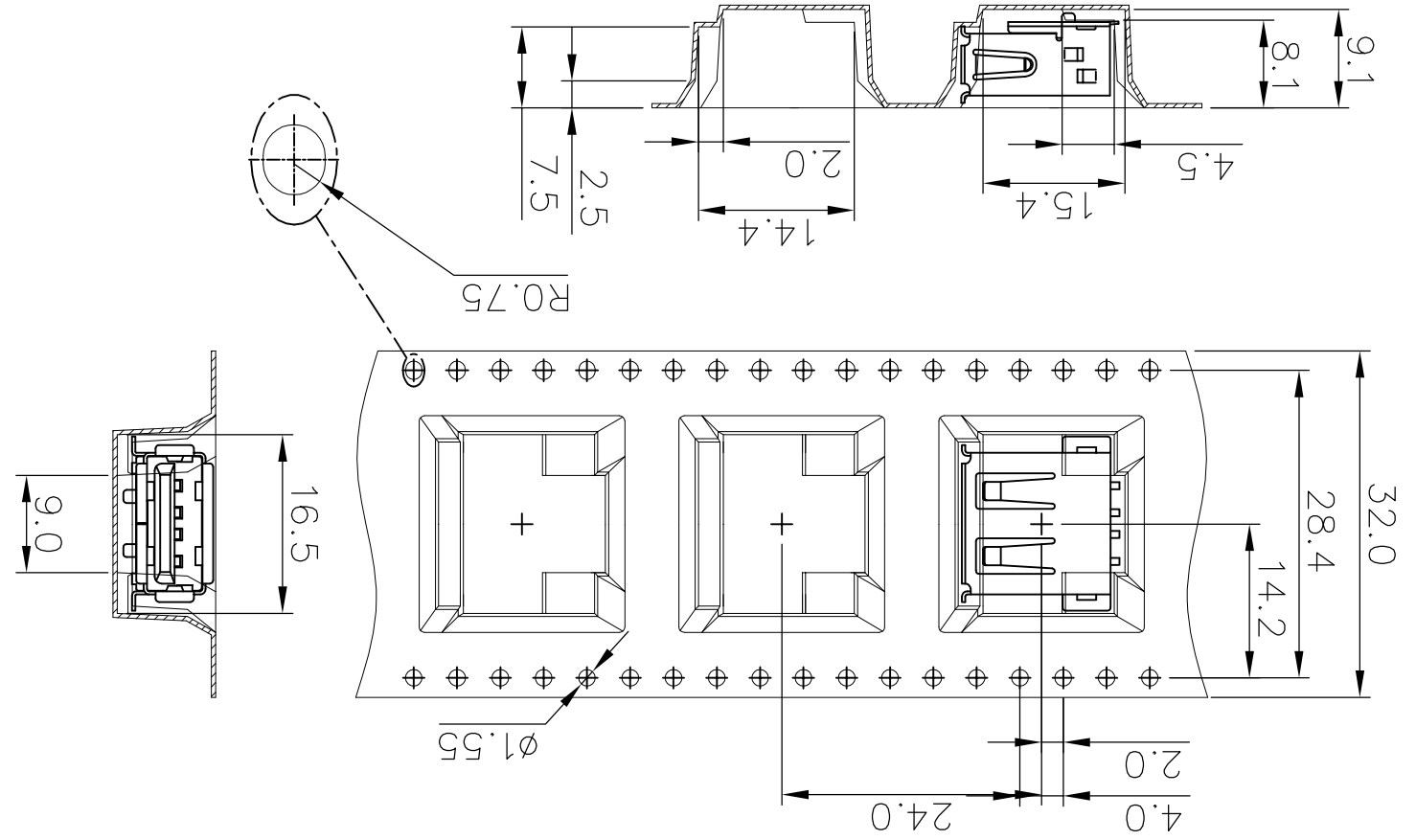
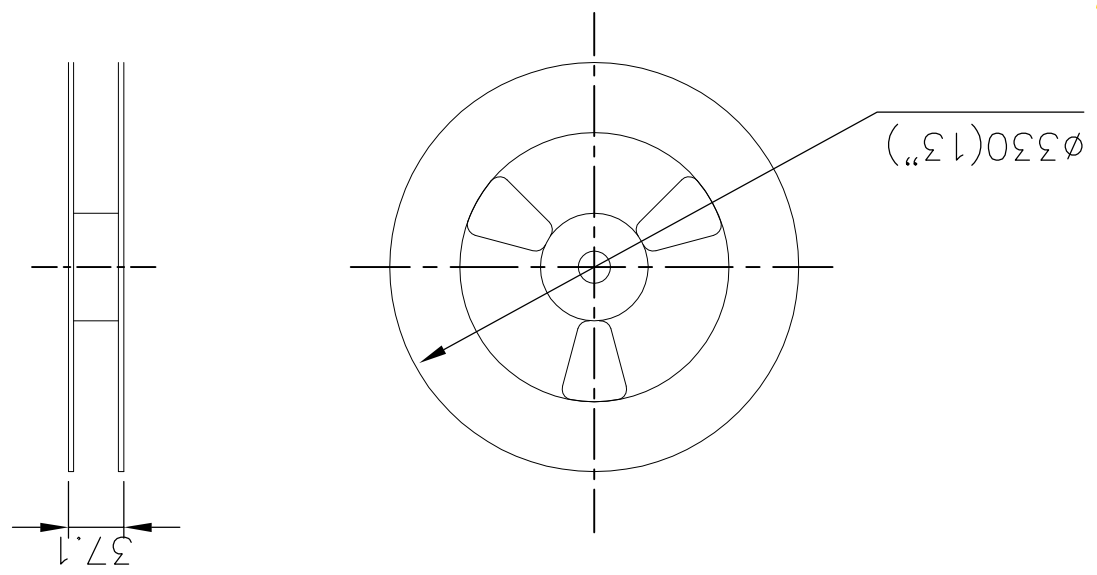




MATERIAL		FINISH		WEIGHT		CUSTOMER DRAWING	
DIMENSIONS: MM		TOLERANCES UNLESS OTHERWISE SPECIFIED:		APVD		NAME	
0 PLC ±		1 PLC ±		PRODUCT SPEC		USB CON, RCPT, ASS'Y, R/A SMT, A TYPE	
2 PLC ±		3 PLC ±		APPLICATION SPEC		CAGE CODE	
4 PLC ±		ANGLES		DRAWING NO		1734082	
APVD		CHK		DWN		SCALE	
APVD		CHK		DWN		SHEET 3 OF 4	
APVD		CHK		DWN		REV B4	

PART NUMBER	PCS/ REEL	REELS/ BOX	QUANTITY (PCS)	G/W (kg)	N/W (kg)
1-1734082-2	300	5	1500	5.36	2.73
1-1734082-1					
1-1734082-2					
1-1734082-1					

THIS DRAWING IS A CONTROLLED DOCUMENT.



LOC	DW	DIST	P	LTR	DESCRIPTION	DATE	DWN	APVD
					SEE SHEET 1.			

A

B

C

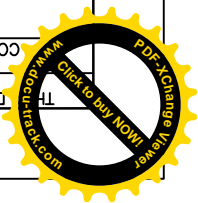
D

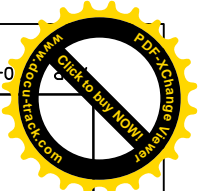
A

B

C

D

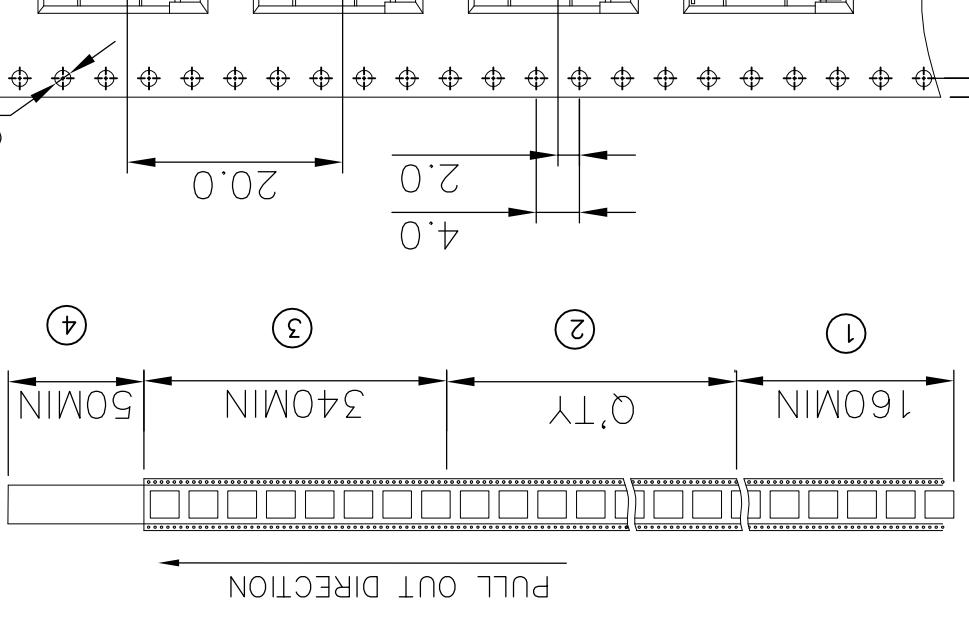
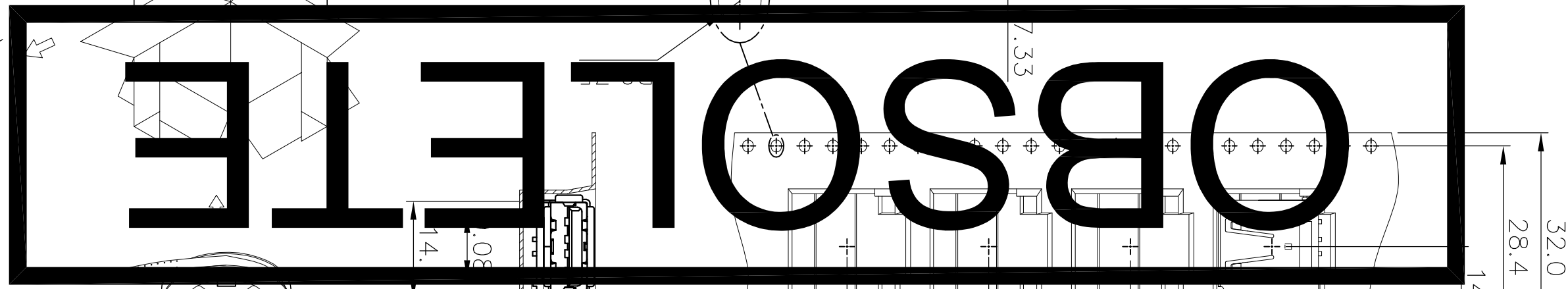
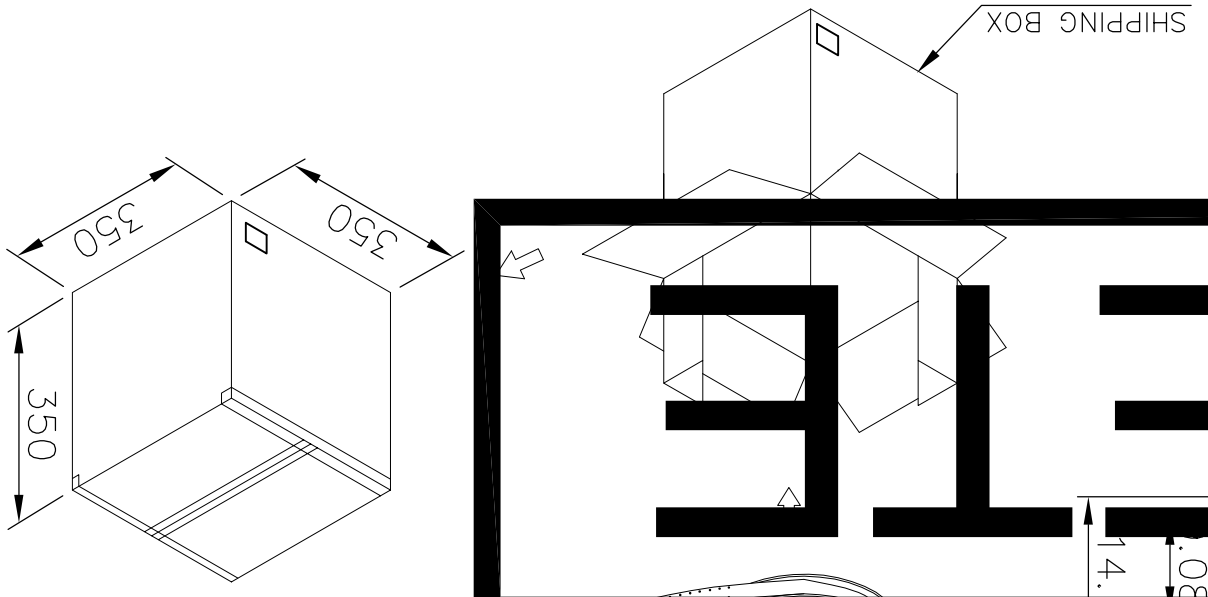
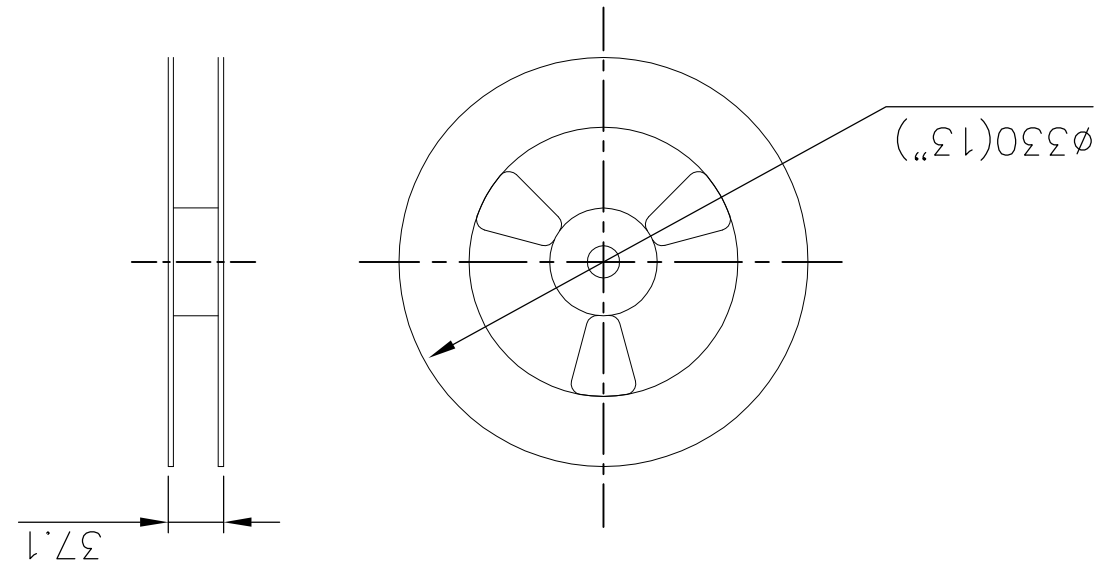




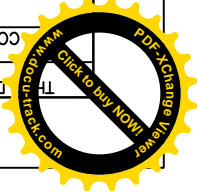
CUSTOMER DRAWING		SCALE		SHEET 4 OF 4		REV B4	
MATERIAL		FINISH		WEIGHT		SIZE	
DIMENSIONS: MM		TOLERANCES UNLESS OTHERWISE SPECIFIED:		APVD		NAME	
0 PLC ±		±		PRODUCT SPEC		APPLICATION SPEC	
1 PLC ±		±		APVD		NAME	
2 PLC ±		±		PRODUCT SPEC		APPLICATION SPEC	
3 PLC ±		±		APVD		NAME	
4 PLC ±		±		PRODUCT SPEC		APPLICATION SPEC	
ANGLES		±		APVD		NAME	
THIS DRAWING IS A CONTROLLED DOCUMENT.		DWN		CHK		NAME	

PCS/ REEL	300	REELS/ CARTON	9	QUANTITY (PCS)	2700	G/W (kg)	12	N/W (kg)	5.94	PART NUMBER	1734082
-----------	-----	---------------	---	----------------	------	----------	----	----------	------	-------------	---------

USB CON, RCPT, ASS'Y, R/A SMT, A TYPE											
TE Connectivity											



LOC	DW	DIST	
P	LTR		
REVISIONS			
DATE	DESCRIPTION		SEE SHEET 1.
APVD	DWN		



X-ON Electronics

Largest Supplier of Electrical and Electronic Components

Click to view similar products for [USB Connectors](#) category:

Click to view products by [TE Connectivity](#) manufacturer:

Other Similar products are found below :

[10033527-N3112MLF](#) [17-210561](#) [GMCB05B11124H1EU](#) [17-200931](#) [65-647-8-BK-BU](#) [690-010-295-484](#) [73725-1191BLF](#) [950](#) [E8144-B01021-L](#) [A-USB A-LP-SMT-C](#) [A-USB B-TOP-C](#) [MUSBA511N5](#) [MUSBB15131](#) [MUSBC111M5](#) [MUSBD11135](#) [217450-1](#) [CA 6 W LD](#) [896-30-004-00-000000](#) [KUSBVX-BS1N-W30](#) [KUSBX-AP-KIT-SCBLK](#) [KUSBX-AS2N-W](#) [KUSBX-SMT2AP1S-W](#) [KUSBX-SMTBS1NBTR](#) [30-498-6](#) [SK-60A-2](#) [17-200261](#) [17-210051](#) [1734082-1](#) [FK-37-32SL](#) [30-1574](#) [30-470](#) [30-489](#) [30-572-3](#) [30-9503](#) [M9177/2-1](#) [MAB 5 S](#) [MIKROE-1451](#) [33UBBR-04SW11R](#) [USBFTV2PEM2G](#) [USBFTVC6ZN](#) [USBFTVSCCG](#) [KUSBX-AS2N-W30](#) [KUSBX-SLAS1N-W](#) [KUSBX-SLAS1N-W30](#) [1-1734084-2](#) [E8110-001-01](#) [MUSBC11135](#) [33UBAR-04SW11](#) [USBF21ZNSCC](#) [USBBFTV6ZC](#)