

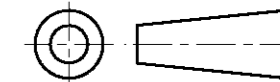
DO NOT SCALE

DIMENSIONS IN mm

METRIC

THIRD ANGLE

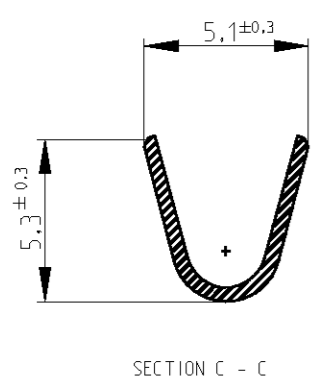
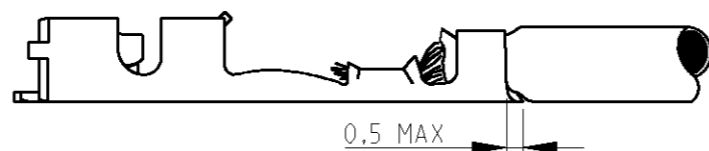
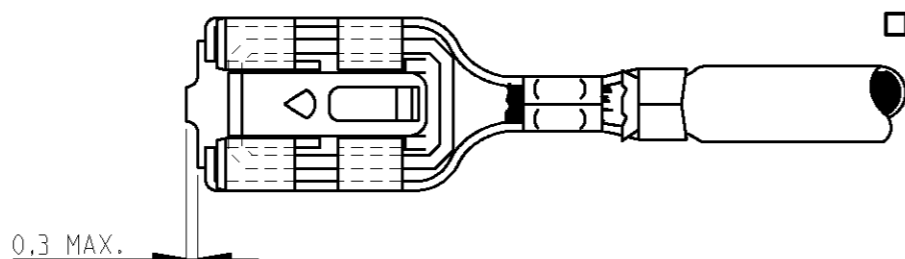
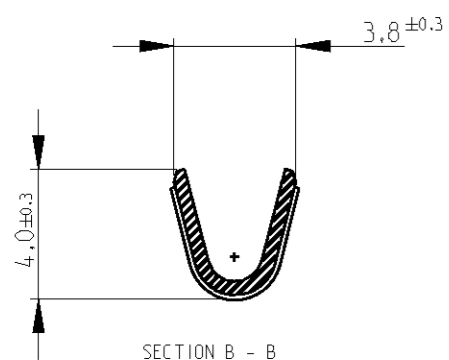
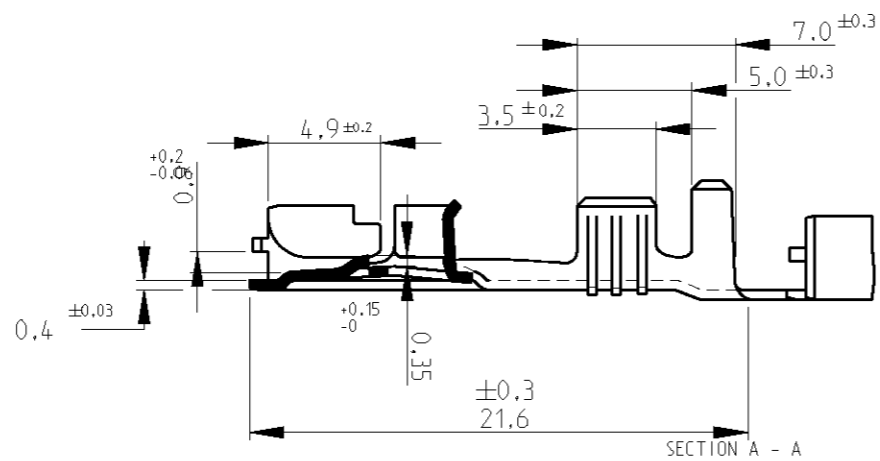
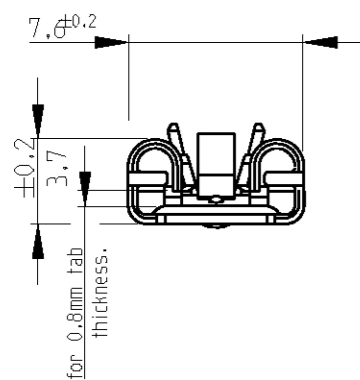
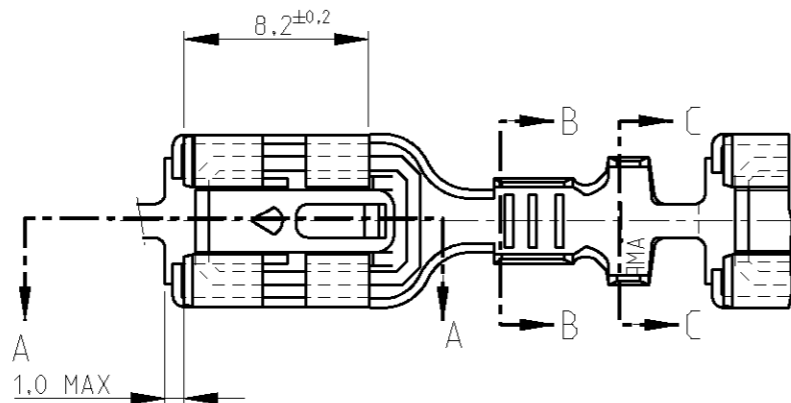
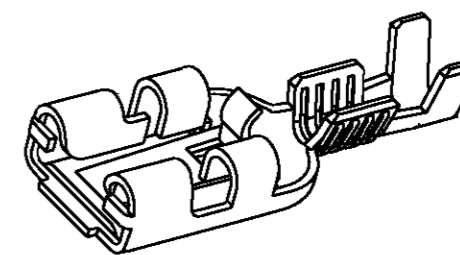
PROJECTION



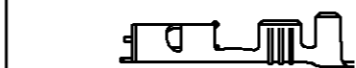
NOTES :

- 1. FOR USE ON MINI HD APPLICATOR (LEFT - RIGHT FEED).
- 2. TINPLATING THICKNESS .000080 MIN - .000400 MAX. (INCH).
- 3. MATERIAL PH.BRONZE ACC. AMP-SPEC 100-221.

4 OBSOLETE PARTS: OBSOLETE CIS STREAMLINING
PER D.RENAUD/D.SINISI



DIRECTION OFF TOP OF REEL



WIRE RANGE :
>1.0-2.5 mm²
INSULATION RANGE :
2.1-3.1 DIA.

107 - 3 FIG 6.

WIRE	CRIMP HEIGHT	CRIMP WIDTH
1.5mm?	1.76mm	.110 'F'
2.0mm?	1.90mm	.110 'F'
2.5mm?	2.04mm	.110 'F'

100016-4	PRE-TINPLATED	PH.BRONZE	216330-4
100016-3	SILVERPLATED	PH.BRONZE	216330-3
100016-2	TINPLATED	PH.BRONZE	216330-2
100016-1	UNPLATED	PH.BRONZE	216330-1
LOOSE PIECE NR.	FINISH	MATERIAL	PARTNUMBER

-	-	-	-	-	CUSTOMER DRAWING	FOR REFERENCE ONLY WILL NOT BE UPDATED
-	-	-	-	-	© COPYRIGHT 19 - BY Tyco. ELECTRONICS AMP ESPAÑOLA S.A. ALL INTERNATIONAL RIGHTS RESERVED. AMP PRODUCTS MAY BE COVERED BY U.S. AND FOREIGN AND/OR PATENTS PENDING.	
-	-	-	-	-	Tyco Electronics AMP Española S.A. BARCELONA / ESPAÑA	
-	-	-	-	-	NAME .250 L.I.F. AUTOMOTIVE POS. LOCK REC. MKII	
A1	REVISED PER ECO-09-025714	KK	AEG	DEC09		
A	REVISED PER EC ES00-0029-03	J.L	J.L	28FEB03		
0	EH-0285-94	JvL	HvdS	26-04-94		
LTR	REVISION RECORD	DR.	CHK.	DATE		
DR.:	J.v.LIEMPT	CHK.:	H.v.d.STEEN	APP.:	L.v.SOEST	DWG.No.
DATE:	26 APR 94	DATE:	-	DATE:	-	C-216330
						REV.LTR. SHEET
						A1 1 OF 1
						A3

X-ON Electronics

Largest Supplier of Electrical and Electronic Components

Click to view similar products for [Terminals](#) category:

Click to view products by [TE Connectivity](#) manufacturer:

Other Similar products are found below :

[HT-13-10](#) [71M-250-32-NB](#) [01-2065-1-0216](#) [00581P0075](#) [M10-10RX](#) [M10BCK](#) [60205-1](#) [604200-1](#) [60598-1-CUT-TAPE](#) [60617-1-C](#) [60873-1](#) [M14-516R/SK](#) [M14-6RSX](#) [M18-10FLX](#) [M18-8FBX](#) [M18-8R/LX](#) [M18BCK](#) [61314-6-C](#) [61-S](#) [61-SN-A](#) [62-NBM-A](#) [63-S](#) [640179-1](#) [640917-2-CUT-TAPE](#) [6501550002](#) [66107-2-C](#) [696683-1](#) [696834-1](#) [696861-1](#) [696931-1](#) [696999-1](#) [M8-516RK](#) [M86700006](#) [MA250DMFMX-A](#) [701-2007](#) [701-2307](#) [701-7761-03](#) [70F-110-32-PB](#) [718-N-A](#) [71M-187-20-NBL](#) [71M-250-32-NBL](#) [72F-187-20-NBL](#) [72M-250-32-NBL](#) [7310](#) [73F-250-32](#) [73F-250-32-NBL](#) [73F-250-32-NL](#) [F14-10C](#) [F-1M](#) [751-250](#)