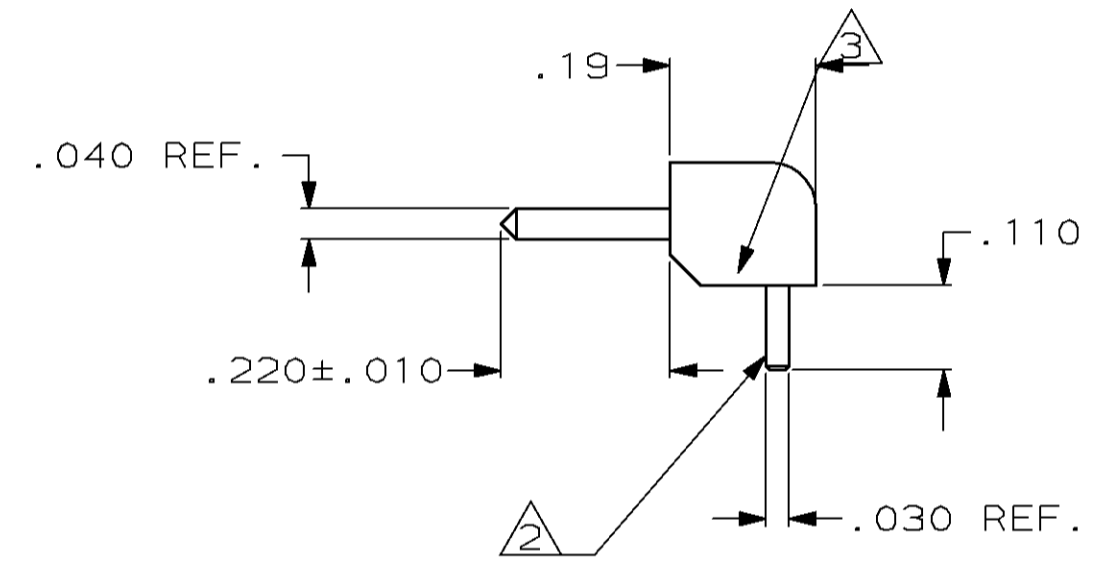
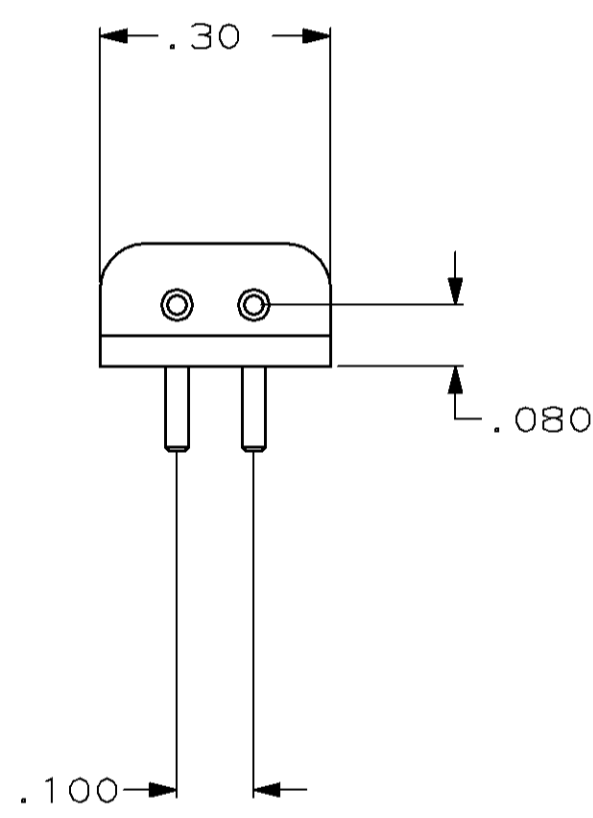
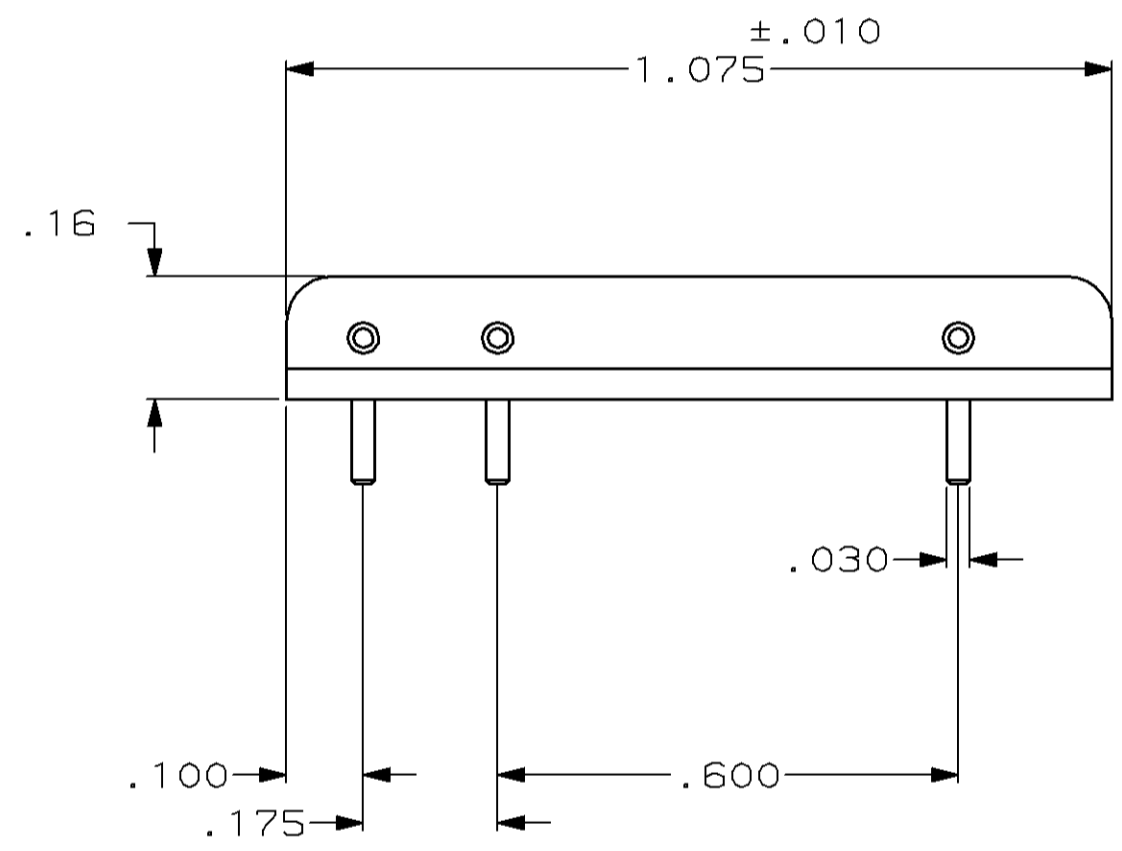


THIS DRAWING IS UNPUBLISHED. RELEASED FOR PUBLICATION, 19 .
 © COPYRIGHT 19 BY AMP INCORPORATED. ALL INTERNATIONAL RIGHTS RESERVED.

Loc	DIST	P	F	REVISIONS				
				ZONE	LTR	DESCRIPTION	DATE	APPD
DF	A1			C		REVISED PER ECN DF-4405	6-3-91	DES
				D		REV PER ECN DF-5896	02-18-92	DES
				E		REV PER 0600-6182-97 TT	22MAY98	RK

- ⚠ MATERIAL: GLASS FILLED THERMOPLASTIC VO RATED PER MIL-M-24519. COLOR: BLACK
- ⚠ THIS END SOLDER DIPPED IN ACCORDANCE WITH MIL STD 202, METHOD 208.
- ⚠ CUST P/N LOCATED IN THIS APPROXIMATE AREA. FOR -2 ONLY.



2	11750265		447463-4
2			447463-3
3	---	⚠	447463-2
3	11750893	447463-2 ⚠	447463-1

POS.	CUSTOMER PART NO	MATERIAL	PART NO
DO NOT SCALE PRINT. UNLESS SPECIFIED DIMENSIONS IN INCHES TOLERANCES ON : 2 PLC DEC ± .01 3 PLC DEC ± .005 ANGLES ± 1°		DR 7-27-90 D.DUDUKOVICH	AMP Incorporated Harrisburg, PA 17105-3608
MATERIAL -		CHK 6-3-91 J.SCHOLZ	
FINISH -		APPD 6-3-91 J.SCHOLZ	
		APPD 6-3-91 C.NIKOLOFF	
		PRODUCT SPEC -	NAME FUZE SYSTEM CONNECTOR HEADER, RIGHT ANGLE
		APPLICATION SPEC -	SIZE CAGE CODE DRAWING NO C 00779 447463
		WEIGHT -	SCALE 4:1 SHEET 1 OF 1

X-ON Electronics

Largest Supplier of Electrical and Electronic Components

Click to view similar products for [Headers & Wire Housings](#) category:

Click to view products by [TE Connectivity](#) manufacturer:

Other Similar products are found below :

[95000-104TRLF](#) [10135584-644402LF](#) [DF62W-EP2022PCA](#) [95000-106TRLF](#) [DF62W-2022SCA](#) [DF62W-EP2022PC](#) [2203348](#) [DF62W-2022SC](#) [1084018](#) [1029039](#) [1084017](#) [802-10-012-10-002000](#) [1112640](#) [1112639](#) [000-34000](#) [0009482033](#) [0009507031](#) [57102-S06-03LF](#) [57202-S52-04LF](#) [PCN6-15S-2.5E](#) [0039019024](#) [58102-G61-06LF](#) [582553-1](#) [0009485154](#) [0009508121](#) [0022285053](#) [0050291907](#) [018731A](#) [LY20-4P-DT1-P1E-BR](#) [02.125.8002.8](#) [60101931](#) [60598-1 \(Cut Strip\)](#) [M1625-3R/100](#) [61062-3](#) [61082-181009](#) [636-1427](#) [638009-1](#) [641938-9](#) [641991-4](#) [644168-1](#) [647662-1](#) [65039-019ELF](#) [65817-002LF](#) [65817-015LF](#) [65863-015LF](#) [66207-023LF](#) [67016-026LF](#) [67046-001LF](#) [67095-007LF](#) [67230-005LF](#)