

R3G280AF Series Motorized Impeller

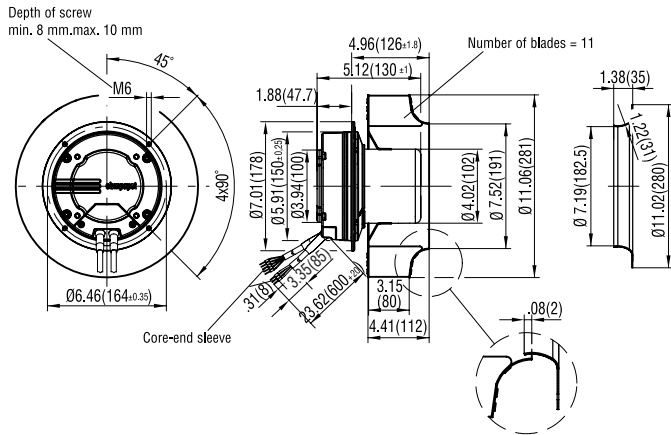
Ø 280mm Backward Curved, EC-i



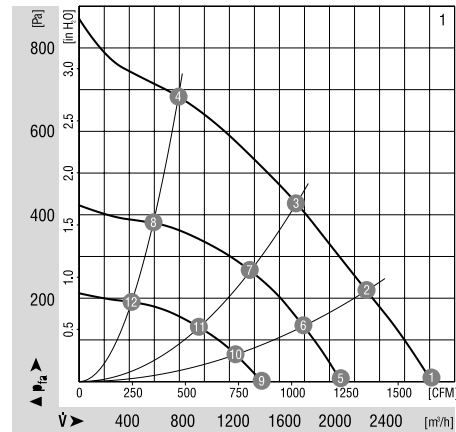
- Backward curved centrifugal fan features integrated electronics, extremely low noise and minimal heat generation.
- Variable mounting position.
- Impeller completely made of sheet steel.
- Maintenance-free ball bearings.
- IP 44 protection type.
- Cable exit: variable.
- Technical features: integrated electronics, PWM/Linear input, alarm relay.
- UL and CSA in preparation.
- Recommended inlet ring: 96360-2-4013.

Part Number	Curve	CFM @ 0	VAC	Hertz	Power (W)	dBA	Max. Amb. Temp. C	Speed (RPM)	Weight (lbs.)
R3G280-AF35-71	1	1656.9	200-277	50/60	425	80	60	2960	11.03

	n [RPM]	P ₁ [W]	I [A]	η _{TL} [%]	Lp _A [dBA]	n [RPM]	P ₁ [W]	I [A]	η _{TL} [%]	Lp _A [dBA]
1	① 2760	355	2.20	—	80	⑨ 1460	65	0.40	—	67
1	② 2670	400	2.50	48	77	⑩ 1460	80	0.50	48	64
1	③ 2660	425	2.60	60	73	⑪ 1460	88	0.60	60	58
1	④ 2740	386	2.30	45	75	⑫ 1460	70	0.50	45	57
1	⑤ 2050	150	1.00	—	74					
1	⑥ 2050	206	1.10	48	71					
1	⑦ 2050	232	1.40	60	67					
1	⑧ 2050	196	1.20	45	67					



Curve



X-ON Electronics

Largest Supplier of Electrical and Electronic Components

Click to view similar products for [Blowers](#) category:

Click to view products by [ebm papst](#) manufacturer:

Other Similar products are found below :

[G2E120-CR21-13](#) [R2D160-AC02-13](#) [R2D220-AA24-13](#) [RLF35-812N2P-103](#) [KFB1724VHT-AF00](#) [D4E133-AA01-51](#) [D4E133-DH61-D1](#)
[D4E180-BA04-18](#) [Z4.802.1680.0](#) [R3G280-AK54-01](#) [G3G120-BB13-02](#) [1398425-1](#) [R2D225-AV02-14](#) [D2E146-HT67-63](#) [BFB0524HH-R00](#)
[R3G133-AE17-02](#) [D4E225-BC01-23](#) [R3G190-AB23-02](#) [RER101-36/14N/2HHA-184](#) [G3G160-AC70-01](#) [R3G250-AM70-01](#) [R2E160-AY47-](#)
[10](#) [R2E180-AS77-40](#) [R87B-PF01](#) [R87F-A3A83H](#) [R87F-A4A15MP](#) [R87T-A6A07H](#) [MF50151VX-B00U-A99](#) [BFB0512HH-T50F](#)
[BFB0712H](#) [109BD12HA2](#) [109BD24HD2](#) [109BF12MA2](#) [109BF12MC2](#) [109BF24HA2](#) [109BF24HC2](#) [109BD12MC2](#) [109BF12HA2](#)
[109BF12HC2](#) [109BF24HD2](#) [R3G280-AF45-81](#) [BFB0724H-T500](#) [R87F-A3A15HP](#) [R87F-A4A93HP](#) [R87F-A3A93HP](#) [R2E140-AS77-05](#)
[R2E180-AS77-22](#) [R2E180-CB28-01](#) [14539GA-12N-AA-00](#) [R87F-A1A85HP](#)