

W1G180 Series

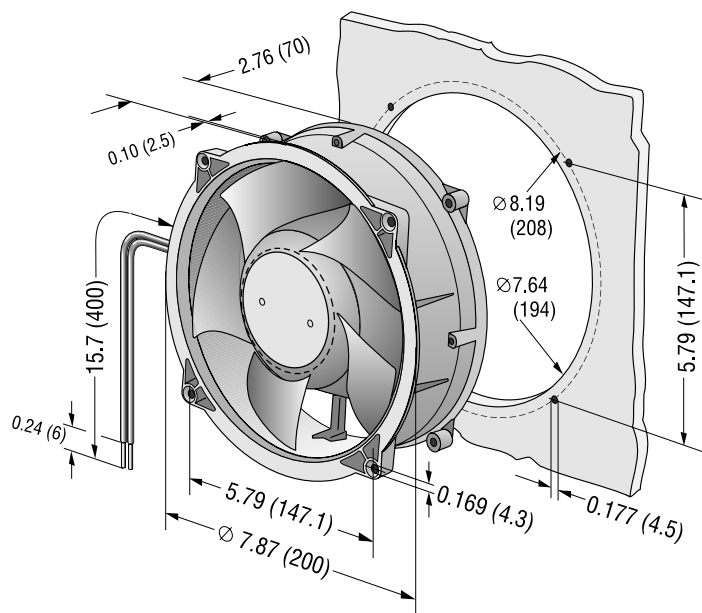
Tubeaxial

Ø 200x70mm



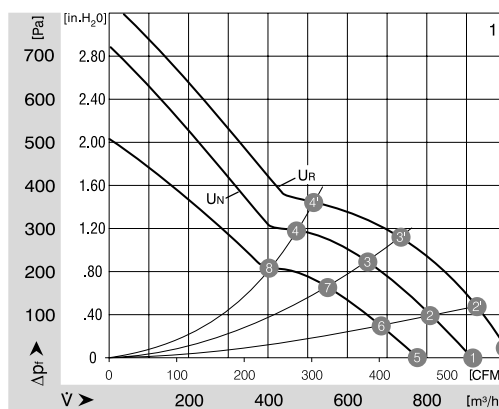
- DC fans with electronically commutated external rotor motor. Fully integrated commutation electronics.
- With electronic protection against reverse polarity and locked-rotor.
- Mounting from either face using four 4.3 mm holes.
- Die-cast aluminum housing. Impeller of plastic PA6.6, black.
- Air exhaust over struts. Rotational direction CCW looking at rotor.
- Connection leads: red = +; blue = -
- UL, CSA, VDE approvals on most models, please contact application engineering.

Part Number	Curve	CFM @ 0	VDC	Volt. Range	Power (W)	dBA	Max. Amb. Temp. C	Bearing Type	Features	Wgt. (lbs)
W1G180-AB31-01	1	529.7	24	16 to 28	93	68	60	Ball	Leads	3.97
W1G180-AB47-01	1	544.4	48	36 to 57	100	69	60	Ball	Leads	3.97



	N [RPM]	P _i [W]	η _i [%]	LD _A [dBA]
1 ①	5180	133	-	71
1 ②	4970	141	70	70
1 ③	4760	146	67	68
1 ④	5010	140	55	69
1 ①	4600	100	-	69
1 ②	4500	106	70	68
1 ③	4340	112	67	66
1 ④	4550	105	55	67
1 ⑤	3920	60	-	66
1 ⑥	3790	64	70	65
1 ⑦	3660	68	67	63
1 ⑧	3790	63	55	63

Curve



X-ON Electronics

Largest Supplier of Electrical and Electronic Components

Click to view similar products for [DC Fans](#) category:

Click to view products by [ebm papst](#) manufacturer:

Other Similar products are found below :

[614R](#) [6424/2HP-210](#) [8312R](#) [DV4118/2NP-183](#) [AFB0948HH-S687](#) [PFB0824DHE-8B72](#) [G2E085-AA05-10](#) [RD20S-4/210660](#) [4318/12T](#)
[4418HH](#) [AUB0912H-F00](#) [3412N/2ME](#) [K2E225-RA92-09](#) [4184N/2XR](#) [5214N2HH](#) [614J2HHPR-010](#) [8412NGL-12](#) [4114N/12HHR-297](#)
[4656](#) [ZWR-903](#) [4112N12GL-175](#) [KD2406PKB2.\(2\).GN](#) [AFB1248HHE](#) [AFB1212LE-F00](#) [FAN-SCH-1](#) [MF60151V1-1000U-G99](#)
[PF80252V1-1000U-G99](#) [PF92252V1-1000U-G99](#) [4112N/2H6P](#) [4114N/17-251](#) [6212NH](#) [622/2N](#) [712F-011](#) [8218J/2NP-181](#) [W1G180-AB47-](#)
[15](#) [FAA1-12038NBKW31-A](#) [6318N/2TDP](#) [6318N/2H3PU](#) [6318HU](#) [424JMU](#) [PMD1206PTVX-A.U.GN](#) [PF80251B2-000U-F99](#)
[EF40101BX-1000U-G99](#) [AD1224LB-A71GL](#) [9GA0924L4021](#) [9GA0924M4021](#) [9GA0924M4011](#) [9GA0824B20011](#) [9GA0812A2D0011](#)
[9GA0912M4D011](#) [9GA0924W4D01](#)