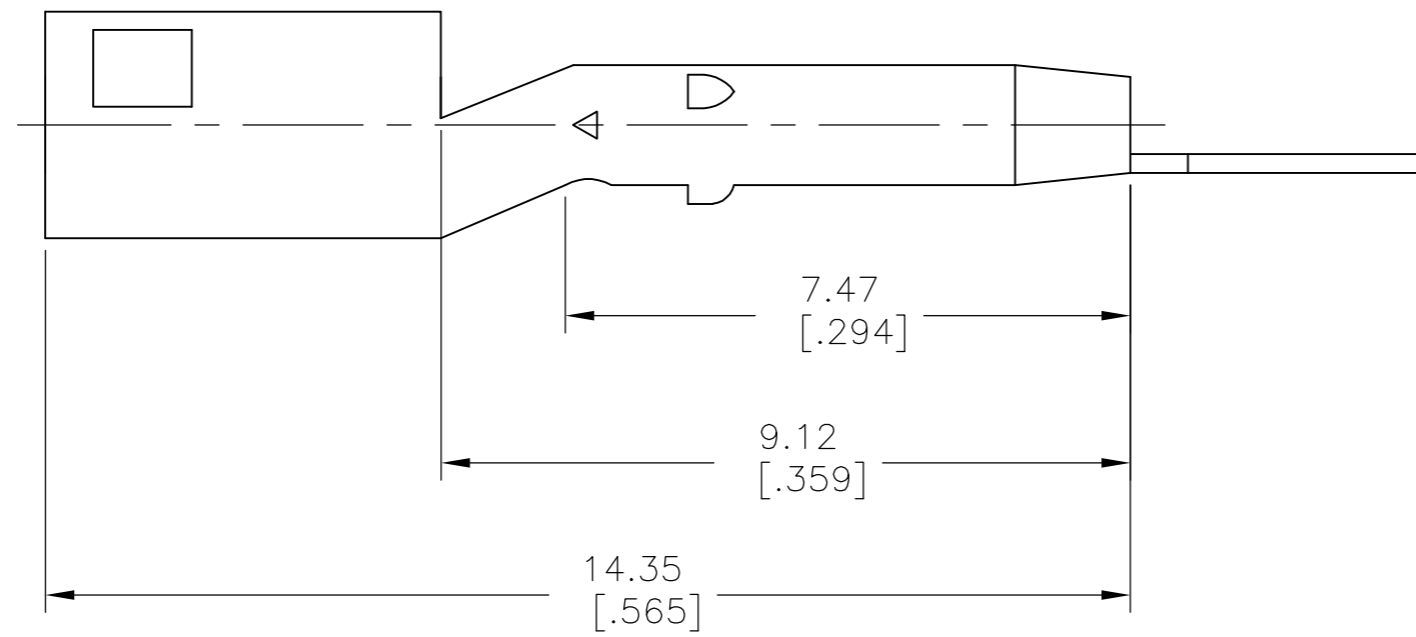
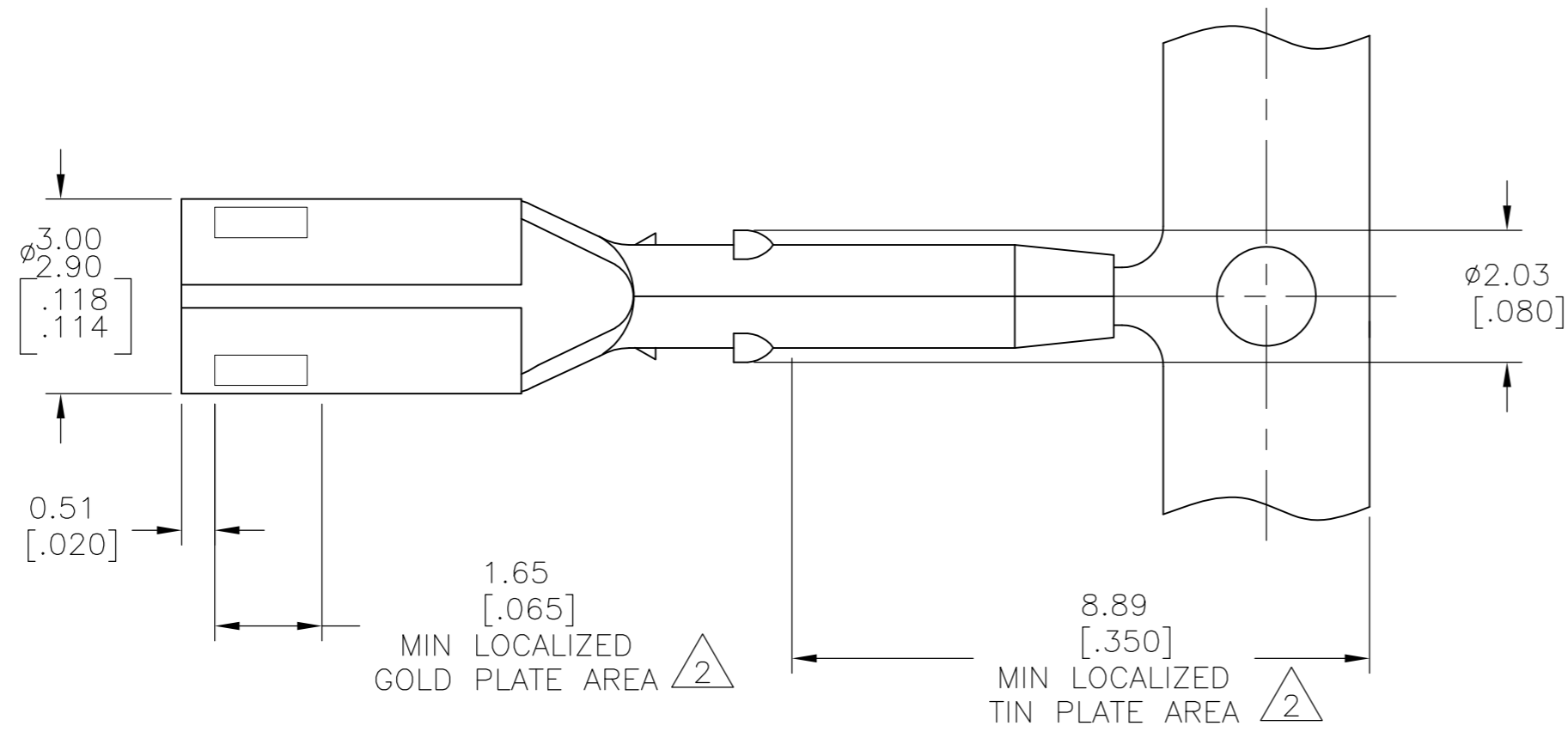


THIS DRAWING IS UNPUBLISHED. RELEASED FOR PUBLICATION
 © COPYRIGHT BY TYCO ELECTRONICS CORPORATION. ALL INTERNATIONAL RIGHTS RESERVED.

LOC		DIST		REVISIONS			
P	LTR	DESCRIPTION	DATE	DWN	APVD		
		D		REVISED PER ECO-09-009144	16APR09	HMR	MS

- 1 DIMENSIONS IN BRACKETS ARE IN INCHES.
- 2 PLATE OVERALL WITH NICKEL, THEN PLATE WITH GOLD IN THE LOCALIZED GOLD PLATE AREA AND TIP PLATE WITH MATTE TIN-LEAD IN THE LOCALIZED TIN PLATE AREA.
- 3 PACKAGED ON 24 INCH CORRUGATED REEL.



PRE-TIN	0.25 [0.010] PH BRZ	794050-4
OBSOLETE	0.25 [0.010] PH BRZ	794050-3
FINISH	MATERIAL	PART NUMBER

THIS DRAWING IS A CONTROLLED DOCUMENT.		DWN	RAGHAVENDRA	16APR09	Tyco Electronics Corporation Harrisburg, PA 17105-3608		
DIMENSIONS: mm [INCHES]		CHK	SARVER MICHAEL	16APR09	SOCKET, PRINTED CIRCUIT HEADER, MATE-N-LOK™		
TOLERANCES UNLESS OTHERWISE SPECIFIED:		APVD	SARVER MICHAEL	16APR09	NAME		
0 PLC ± -		PRODUCT SPEC	-				
1 PLC ± -		APPLICATION SPEC	-				
2 PLC ± 0.13 [0.005]		WEIGHT	-				
3 PLC ± -		CUSTOMER DRAWING	-				
4 PLC ± -		SCALE	10:1				
ANGLES ± -		SHEET	1 of 1				
FINISH		REV	D				
SEE TABLE		SCALE	10:1				
SEE TABLE		SHEET	1 of 1				
		REV	D				

X-ON Electronics

Largest Supplier of Electrical and Electronic Components

Click to view similar products for [Pin & Socket Connectors](#) category:

Click to view products by [TE Connectivity](#) manufacturer:

Other Similar products are found below :

[6450822-1](#) [770392-1](#) [794042-1](#) [796885-1](#) [8-794535-1](#) [881459-2](#) [R929993003](#) [1-350779-3](#) [1403611-1](#) [1-480349-5](#) [1586092-1](#) [1586129-1](#)
[1586487-1](#) [1586681-4](#) [1586700-1](#) [1586065-1](#) [1586077-1](#) [1586368-1](#) [1586380-1](#) [1586680-5](#) [1586681-2](#) [1604996-1](#) [16-06-0038](#) [164164-5](#) [1-](#)
[6609930-1](#) [172296-1](#) [1-794714-6](#) [19-09-2035](#) [1969804-1](#) [200503-1](#) [200788-2](#) [201046-7](#) [202648-4](#) [2029076-2](#) [2029090-4](#) [2029095-4](#) [2-](#)
[66102-6](#) [925061-7](#) [926681-1](#) [293734-4](#) [293737-2](#) [1-765362-4](#) [1-794606-3](#) [1871534-1](#) [1969795-1](#) [1969798-1](#) [1969800-1](#) [200833-4](#)
[2008625-2](#) [2029027-2](#)