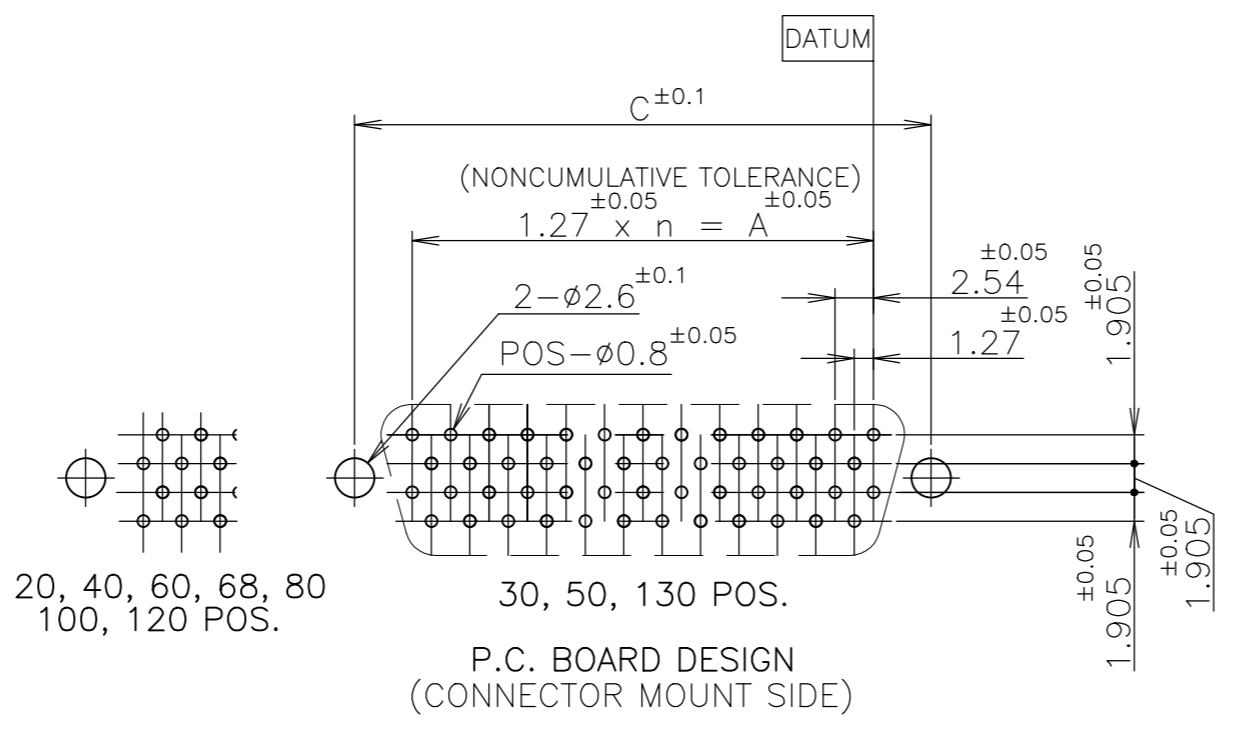
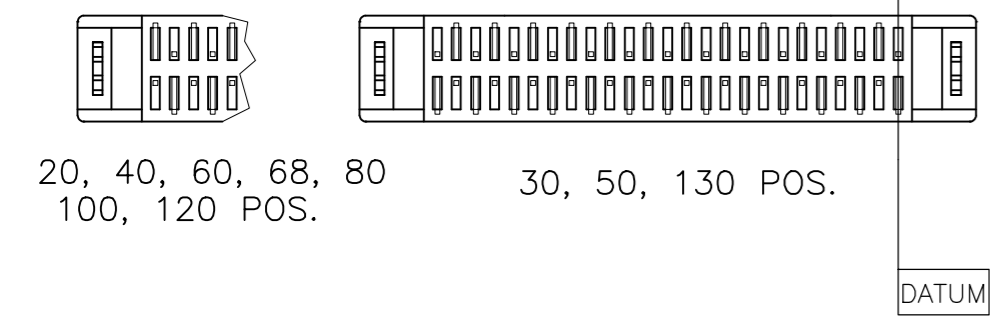
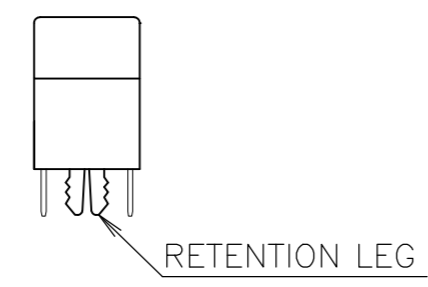
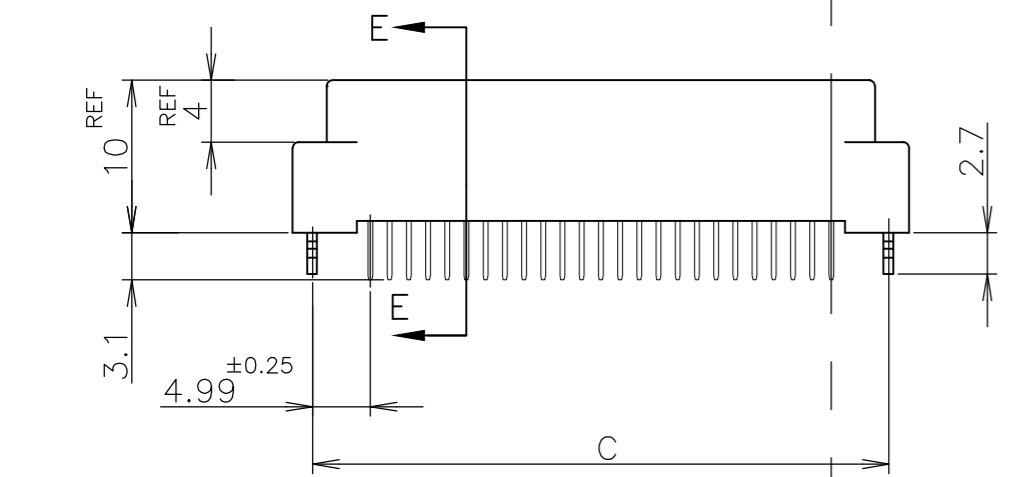
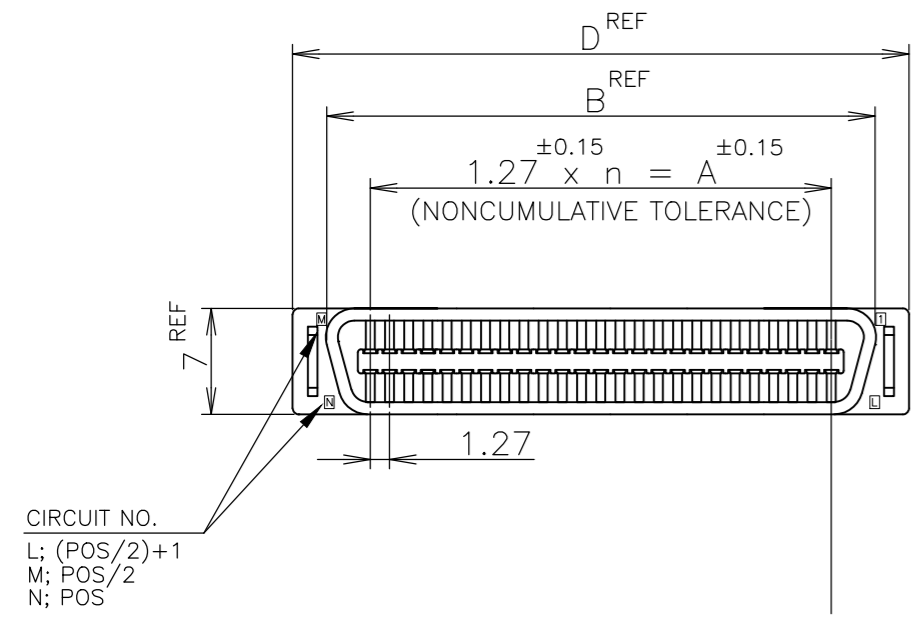
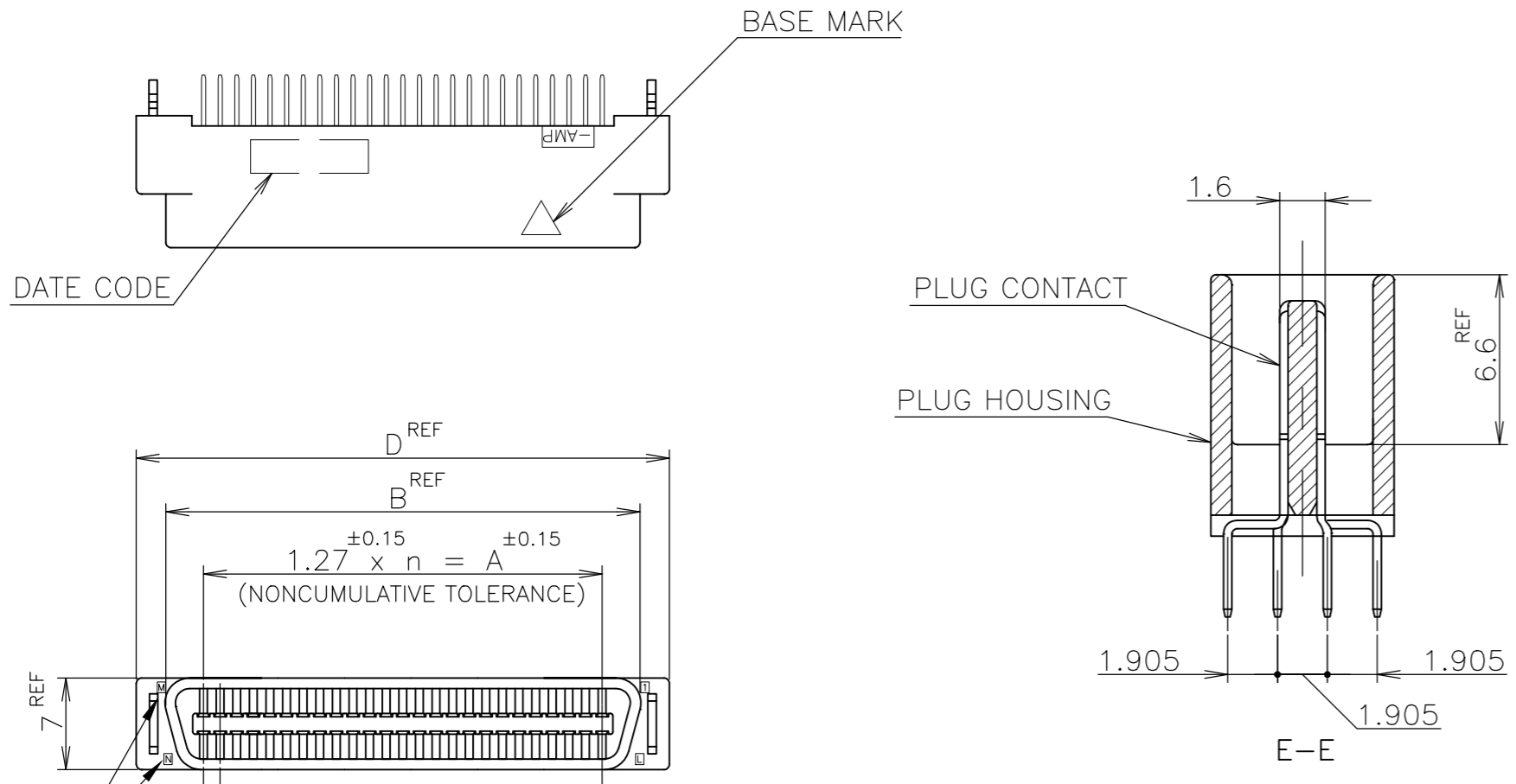


REVISIONS					
P	LTR	DESCRIPTION	DATE	DWN	APVD
C		REVISED PER ECO-17-008763	22JAN2018	RG	SH

- 1 NUMBER "n" S COUNTED FROM DATUM (CIRCUIT NO.1 IS "AMP" MARK SIDE.)
- 2 MATERIAL: HOUSING; 66 NYLON (GF) UL 94V-0, BLACK.
: CONTACT; PHOSPHOR BRONZE.
: RETENTION LEG; BRASS.
- 3 FINISH: CONTACT; Au AT CONTACT AREA (SEE TABLE),
TIN AT TINE OVER Ni.
RETENTION LEG; TIN UNDER Ni.



POS.	n	A	B	C	D
6-	-2	130	64	81.28	89.62
6-	-1	120	59	74.93	83.27
6-	-0	100	49	62.23	70.57
5-	-9	80	39	49.53	57.87
5-	-8	68	33	41.91	50.25
5-	-7	60	29	36.83	45.17
5-	-6	50	24	30.48	38.82
5-	-5	40	19	24.13	32.47
OBSOLETE	5-	30	14	17.78	26.12
5-	-3	0.00076	20	9	11.43
OBSOLETE	4-	130	64	81.28	89.62
OBSOLETE	4-	120	59	74.93	83.27
4-	-0	100	49	62.23	70.57
3-	-9	80	39	49.53	57.87
3-	-8	68	33	41.91	50.25
3-	-7	60	29	36.83	45.17
OBSOLETE	3-	50	24	30.48	38.82
3-	-5	40	19	24.13	32.47
3-	-3	30	14	17.78	26.12
3-	-1	0.0005	20	9	11.43
OBSOLETE	1-	130	64	81.28	89.62
1-	-1	120	59	74.93	83.27
1-	-0	100	49	62.23	70.57
OBSOLETE	-9	80	39	49.53	57.87
-8		68	33	41.91	50.25
-7		60	29	36.83	45.17
-6		50	24	30.48	38.82
-5		40	19	24.13	32.47
-3		30	14	17.78	26.12
5175473-1	0.0002	20	9	11.43	19.77

LEAD FREE

GENERAL TOLERANCE	
10 ≥	±0.2
30 ≥ > 10	±0.25
100 ≥ > 30	±0.3
ANGLES: ±3°	

THIS DRAWING IS A CONTROLLED DOCUMENT.

DWN: Julyee Zhu 19AUG2004	TE Connectivity Ltd.		
CHK: Steven Yao 19AUG2004			
APVD: Ikuo Enomoto 19AUG2004			
NAME: 108-60038			
DIMENSIONS: mm	TOLERANCES UNLESS OTHERWISE SPECIFIED:	PRODUCT SPEC: 108-60038	APPLICATION SPEC:
0 PLC ±	1 PLC ±	2 PLC ±	3 PLC ±
4 PLC ±	ANGLES ±	FINISH: 2	3
MATERIAL: 2	FINISH: 3	WEIGHT: 0.000000	CUSTOMER DRAWING
SCALE: NTS		SHEET: 1 of 1	REV: C

X-ON Electronics

Largest Supplier of Electrical and Electronic Components

Click to view similar products for [Board to Board & Mezzanine Connectors](#) category:

Click to view products by [TE Connectivity](#) manufacturer:

Other Similar products are found below :

[10135583-642402LF](#) [89885-310LF](#) [589158040000018](#) [6-1393048-0](#) [68683-613](#) [MDF7-12DP-2.54DSA](#) [MDF7-18P-2.54DSA\(01\)](#) [MDF7-20DP-2.54DSA](#) [MDF7-26D-2.54DSA\(55\)](#) [MDF7-3P-2.54DSA\(01\)](#) [MDF7B-3P-2.54DSA\(55\)](#) [MDF7C-11P-2.54DSA\(55\)](#) [MDF7C-18P-2.54DSA\(55\)](#) [MDF7C-5P-2.54DSA\(01\)](#) [MDF7P-5P-2.54DSA\(55\)](#) [75234-0516](#) [FCN-230C068-11](#) [FCN-268F012-G/BD](#) [FCN-268F036-G/BD](#) [FCN-268M012-G/0D](#) [FCN-268M024-G/1D](#) [FCN-360C008-C](#) [FCN-360C040-C](#) [FCN-723J004/1](#) [MIS-048-01-F-D-DP-K](#) [832-10-034-10-001000](#) [93696-325LF](#) [11828-1FA](#) [AXK630345P](#) [18097-0013](#) [ICA-328STT](#) [2007042-2](#) [304400-2](#) [FCN-214Q030-G/0](#) [FCN-215Q040-G/0](#) [FCN-230C068-ESA](#) [FCN-234P048-G/0](#) [FCN-235D050-G/C](#) [FCN-360A3](#) [FCN-360C040-B](#) [210-93-314-41-105000](#) [2-22603-0](#) [379-064-521-202](#) [MDF7-12P-2.54DSA\(01\)](#) [MDF7-16P-2.54DS\(56\)](#) [MDF7-40DP-2.54DSA\(55\)](#) [MDF7-8P-2.54DSA\(55\)](#) [MDF7B-16P-2.54DSA\(55\)](#) [AXG720047](#) [5031084030](#)