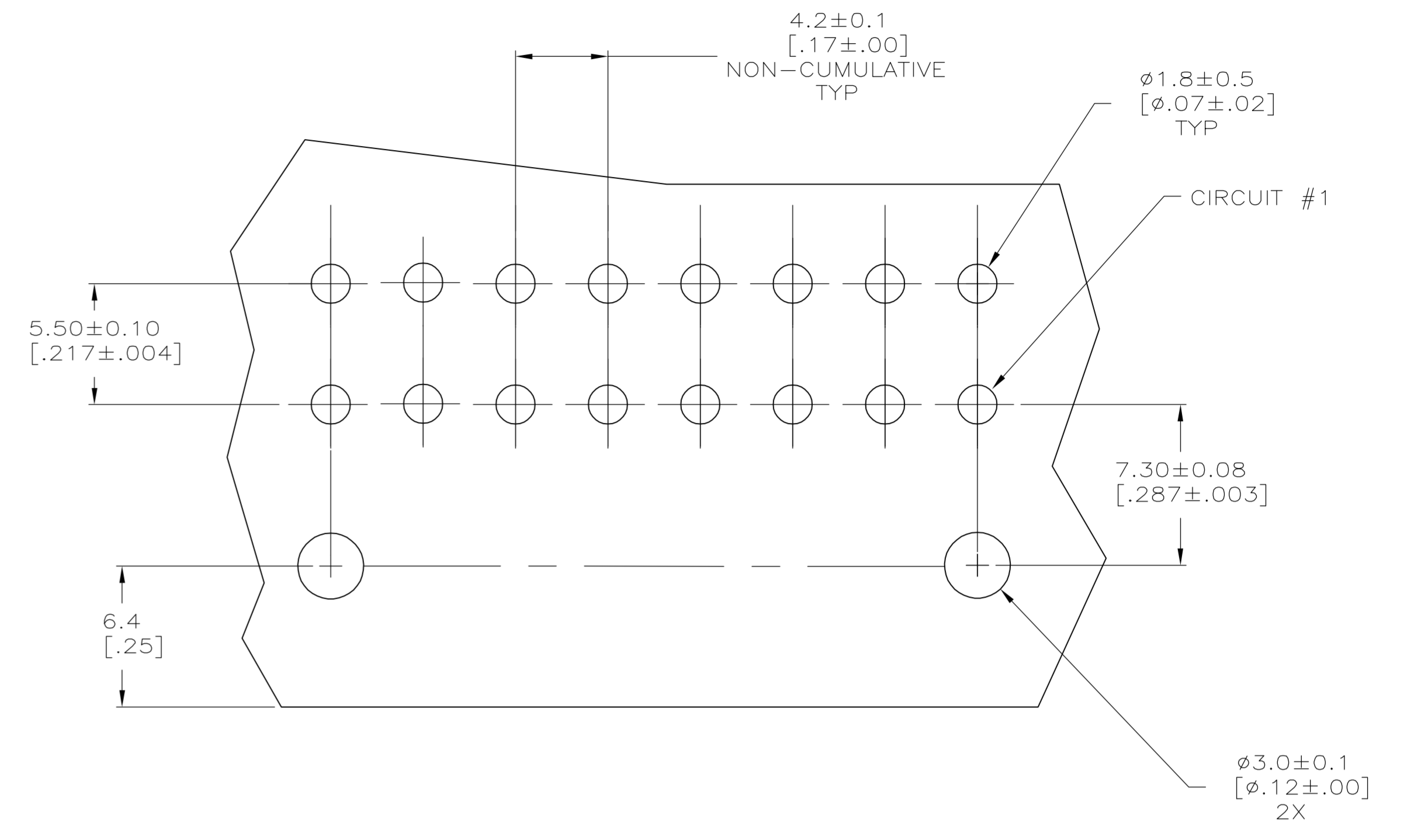
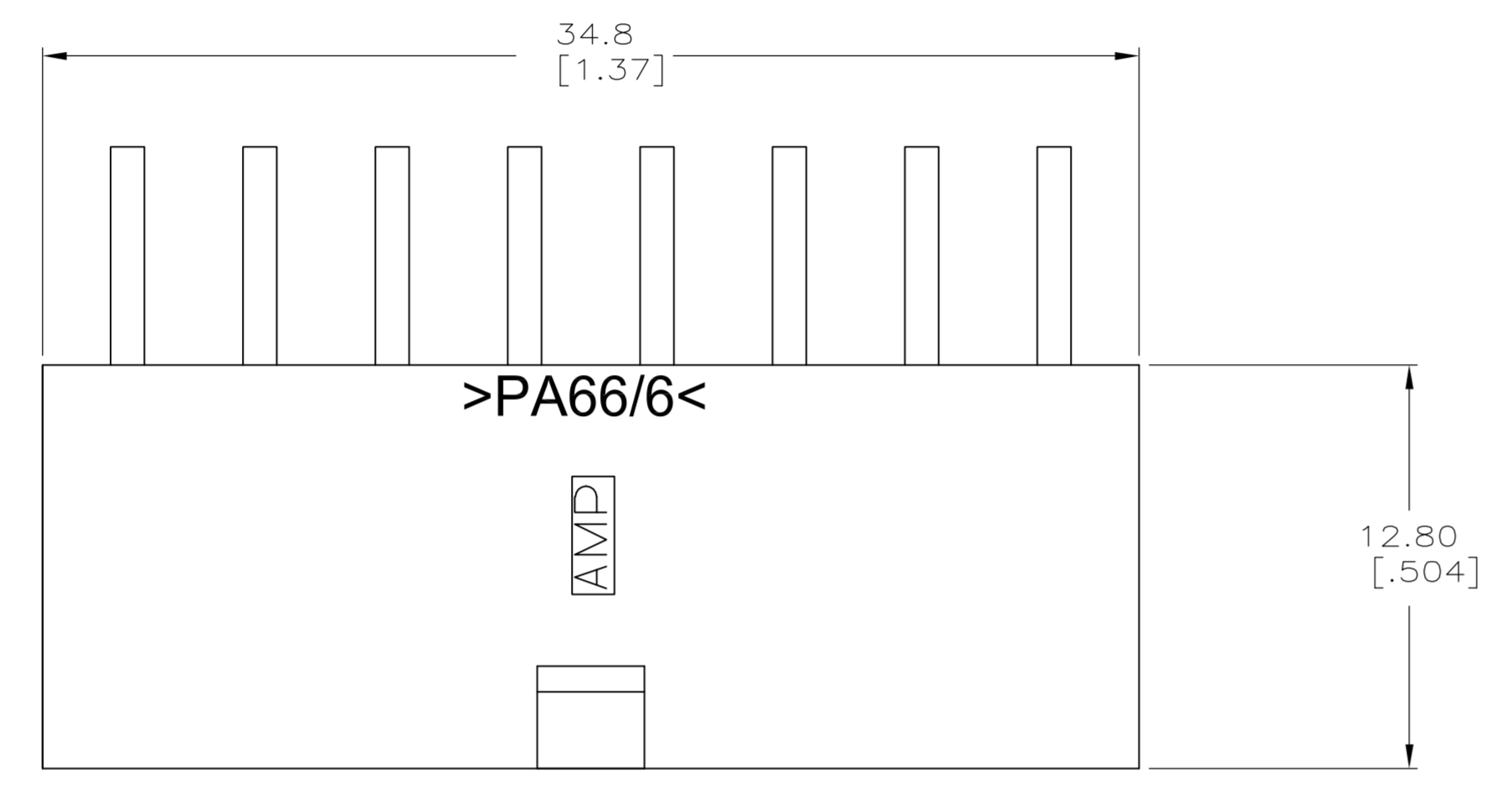
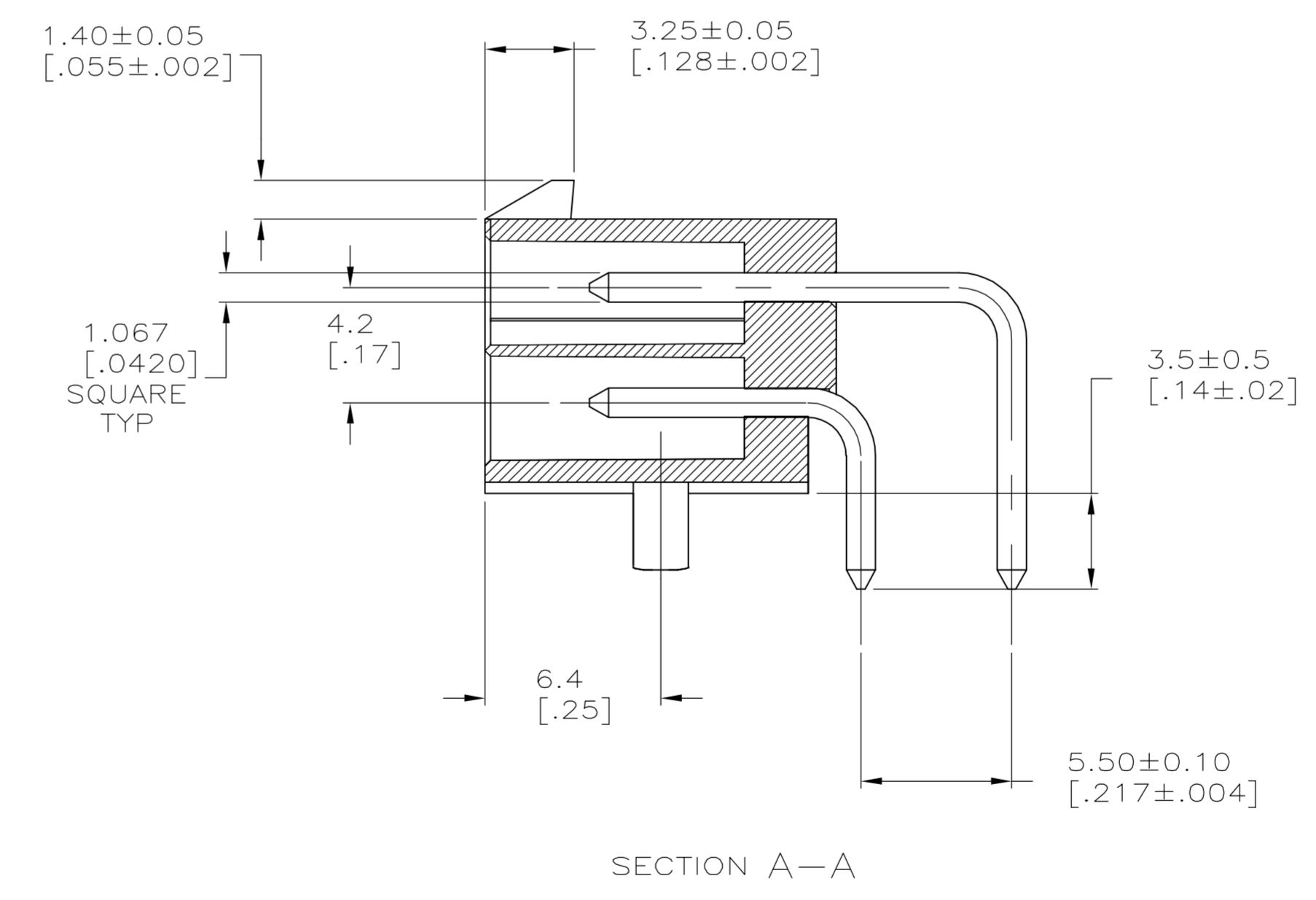
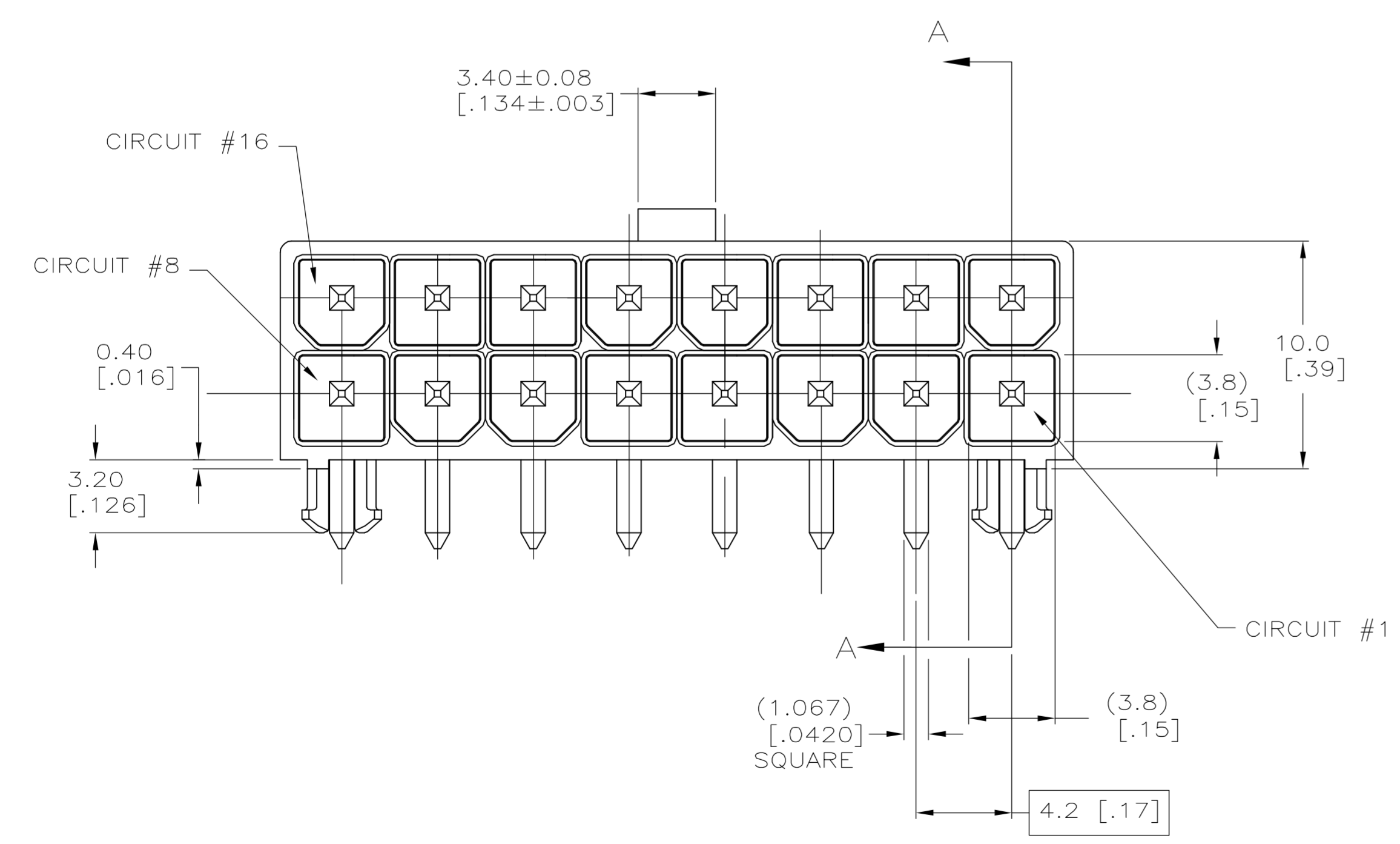


- 1 MATERIAL: HOUSING - NYLON, UL94V-0 (COLOR - WHITE).
PIN - 1.067mm² [.0017in²] COPPER ALLOY.
- 2 PINS TO COMPLY WITH SOLDERABILITY SPEC 109-11-3.
- 3 0.00381 [.000150] MINIMUM TIN LEAD OVER 0.00127 [.000050] MINIMUM NICKEL, ENTIRE LENGTH OF PIN.
- 4 NOTE DELETED.
- 5 0.00381 [.000150] MINIMUM TIN OVER 0.00127 [.000050] MINIMUM NICKEL, ENTIRE LENGTH OF PIN.



RECOMMENDED MOUNTING HOLE PATTERN FOR 1.78 [.070] MAX THICK P.C. BOARD COMPONENT SIDE SHOWN



SUPERSEDED BY 1-794533-1

| | | | | |
|-----------------|---|----------------|---|------------|
| 1 | 5 | 1 | 1 | 1-794533-1 |
| 1 | 3 | 1 | 1 | 794533-1 |
| MATERIAL FINISH | | MATERIAL COLOR | | ASSEMBLY |
| PIN | | HOUSING | | |

METRIC

THIS DRAWING IS A CONTROLLED DOCUMENT.

| | | | |
|--------------------|--|--|---|
| DIMENSIONS: | TOLERANCES UNLESS OTHERWISE SPECIFIED: | DWN S. HOOVER 02-MAR-2005 | tyco Tyco Electronics Corporation Harrisburg, Pa 17105-3608 |
| mm [INCHES] | 0 PLC ± .02 [0.1] 1 PLC ± .02 [0.1] 2 PLC ± .013 [0.05] 3 PLC ± .013 [0.05] 4 PLC ± .013 [0.05] ANGLES: ± 30° | CHK D. COLEY 02-MAR-2005 | |
| MATERIAL SEE CHART | FINISH SEE CHART | APVD D. COLEY 02-MAR-2005 | NAME |
| | | 108-1646 ASSEMBLY, HEADER, RIGHT ANGLE, 16 POSITION, W/PEGS, 94V-0, AMP-DUAC(TM) POWER CONNECTOR | |
| | | SIZE CASE CODE DRAWING NO | RESTRICTED TO |
| | | 114-6067 | A1 00779 ©=794533 |
| | | WEIGHT | CUSTOMER DRAWING |
| | | SCALE | SHEET 1 OF 1 REV D |
| | | 5:1 | |

X-ON Electronics

Largest Supplier of Electrical and Electronic Components

Click to view similar products for [Headers & Wire Housings](#) category:

Click to view products by [TE Connectivity](#) manufacturer:

Other Similar products are found below :

[95000-104TRLF](#) [10135584-644402LF](#) [DF62W-EP2022PCA](#) [95000-106TRLF](#) [DF62W-2022SCA](#) [DF62W-EP2022PC](#) [2203348](#) [DF62W-2022SC](#) [1084018](#) [1029039](#) [1084017](#) [802-10-012-10-002000](#) [1112640](#) [1112639](#) [000-34000](#) [0009482033](#) [0009507031](#) [57102-S06-03LF](#) [57202-S52-04LF](#) [PCN6-15S-2.5E](#) [0039019024](#) [58102-G61-06LF](#) [582553-1](#) [0009485154](#) [0009508121](#) [0022285053](#) [0050291907](#) [018731A](#) [LY20-4P-DT1-P1E-BR](#) [02.125.8002.8](#) [60101931](#) [60598-1 \(Cut Strip\)](#) [M1625-3R/100](#) [61062-3](#) [61082-181009](#) [636-1427](#) [638009-1](#) [641938-9](#) [641991-4](#) [644168-1](#) [647662-1](#) [65039-019ELF](#) [65817-002LF](#) [65817-015LF](#) [65863-015LF](#) [66207-023LF](#) [67016-026LF](#) [67046-001LF](#) [67095-007LF](#) [67230-005LF](#)