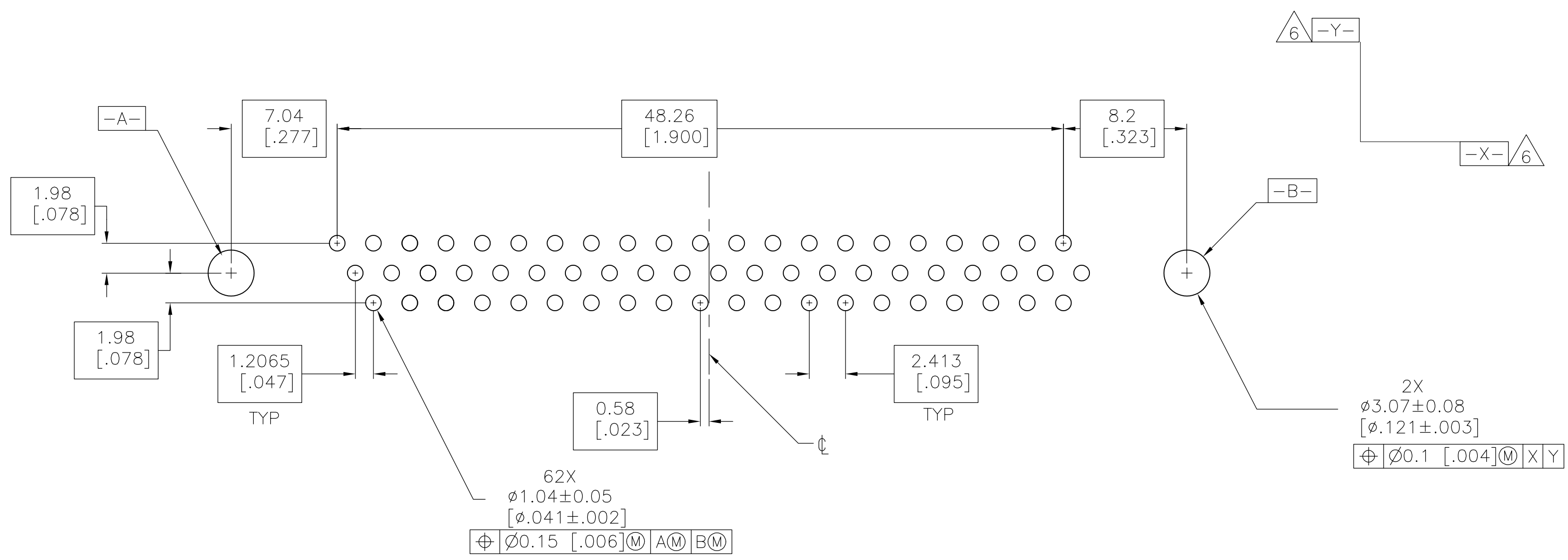
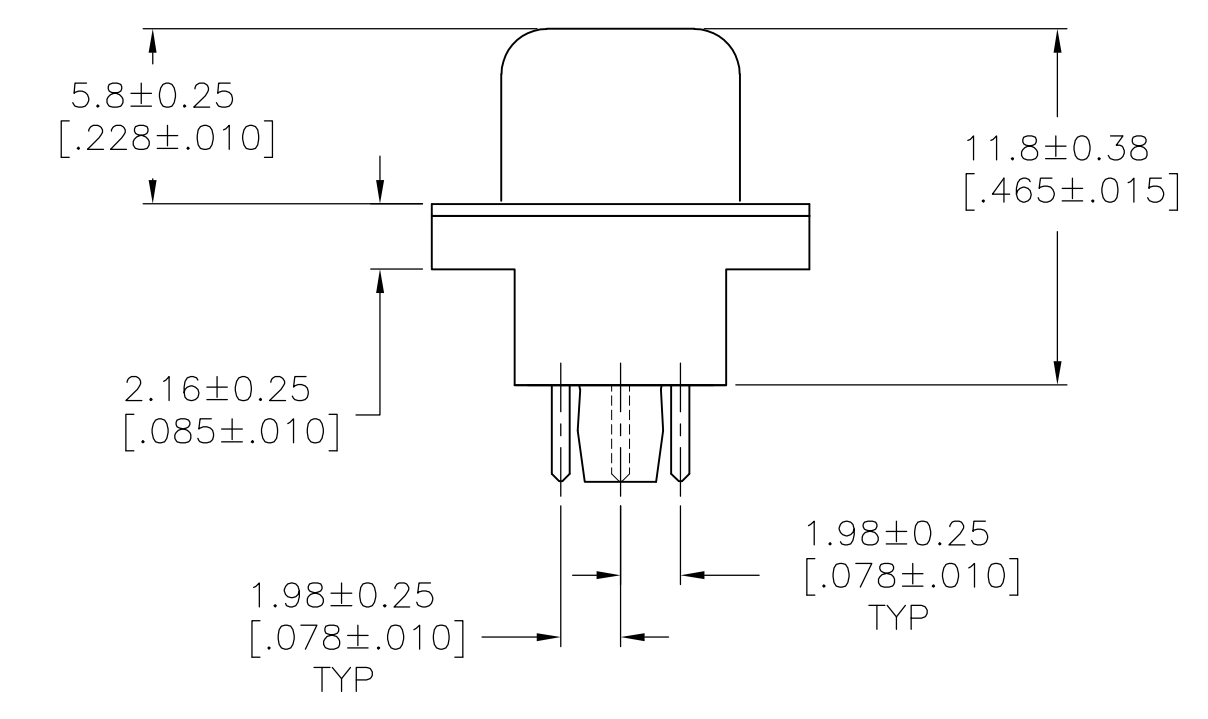
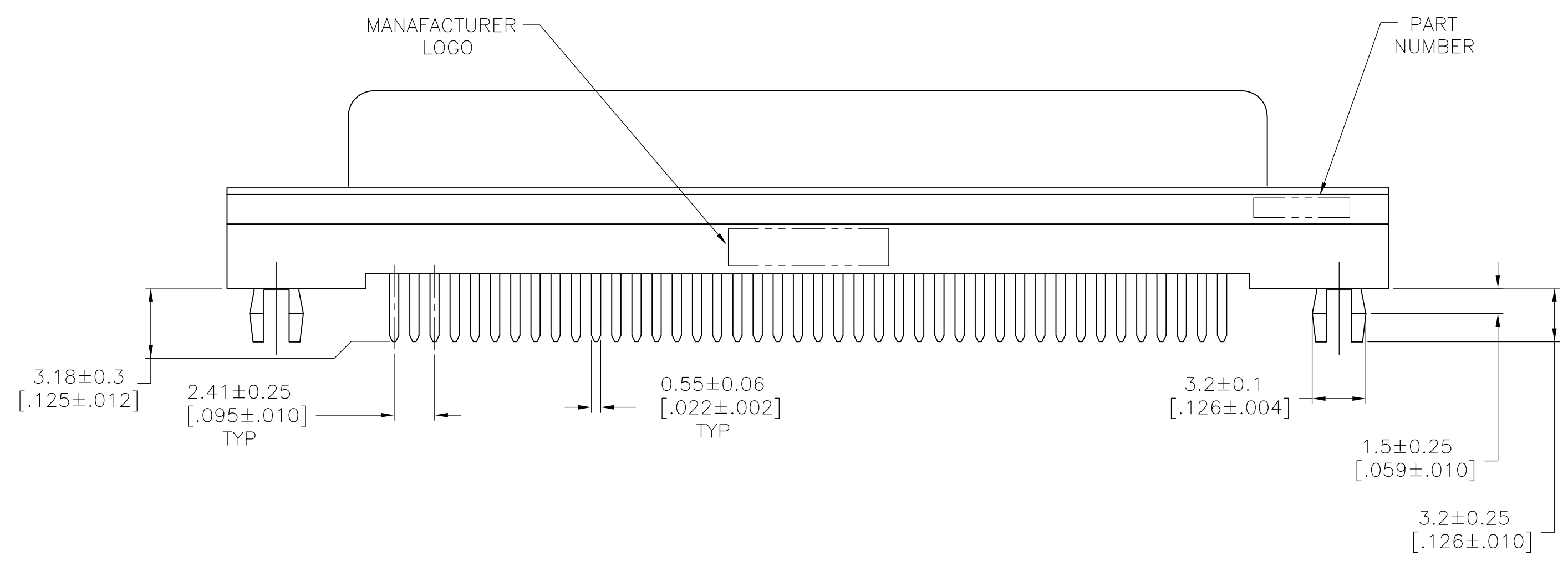


- HOUSING MATERIAL: PBT, GLASS FILLED, BLACK, UL 94V-0 RATED.
 - CONTACT MATERIAL: PHOSPHOR BRONZE.
 - CONTACT FINISH: GOLD PLATE IN MATING AREA (SEE TABLE), 0.00305 [120μ] MIN TIN PLATE ON SOLDER TAIL, BOTH OVER 0.00127 [50μ] MIN NICKEL UNDERPLATE.
 - SHELL: STEEL, NICKEL PLATE.
 - THREADED INSERT/BOARDLOCK: BRASS, 0.00254 [100μ] MIN TIN PLATE.
- △ DATUMS -X- AND -Y- TO BE ESTABLISHED BY CUSTOMER.



RECOMMENDED PCB LAYOUT

0.00076 [30μ] MIN	2057140-1
CONTACT MATING AREA FINISH	PART NUMBER

THIS DRAWING IS A CONTROLLED DOCUMENT.		DWN: J. POLIGNONE 11JUL08	Tyco Electronics Corporation Harrisburg, PA 17105-3608	
DIMENSIONS: mm [INCHES]		CHK: S. BOLASH 11JUL08	NAME: RCPT ASSY, SIZE 4, 62 POSN, VERTICAL, FRONT METAL SHELL, AMPLIMITE HD-22	
TOLERANCES UNLESS OTHERWISE SPECIFIED:		APP'D: S. BOLASH 11JUL08	PRODUCT SPEC: 108-1092	
0 PLC ± -	1 PLC ± -	APPLICATION SPEC: 114-13199		
2 PLC ± -	3 PLC ± -	SIZE: A1		
4 PLC ± -	ANGLES ± -	CAGE CODE: 00779		
FINISH		DRAWING NO: 2057140		
MATERIAL		RESTRICTED TO: -		
		CUSTOMER DRAWING		
		SCALE: 4:1 SHEET: 1 OF 1 REV: A		

X-ON Electronics

Largest Supplier of Electrical and Electronic Components

Click to view similar products for [D-Sub High Density Connectors](#) category:

Click to view products by [TE Connectivity](#) manufacturer:

Other Similar products are found below :

[1484349-1](#) [163A16769X](#) [163A16809X](#) [163A17089X](#) [164A17199X](#) [164A17209X](#) [164A17479X](#) [164A18209X](#) [17BH-044S-AA110](#) [K86X-AD-26S](#) [KF66X-A26P-NJ](#) [KF66X-E15P-N](#) [241A17320X](#) [242A18390X](#) [242A25740X](#) [L717HDB44POL2R210](#) [L717HDCH62POL2RM5](#) [L717HDEH15POL2](#) [L777HDE15P](#) [L77HDC62S](#) [L77HDE15SC309](#) [163A16779X](#) [163A16839X](#) [163A17049X](#) [163A17079X](#) [164A17309X](#) [164A17329X](#) [164A18219X](#) [241A16440X](#) [241A16550X](#) [241A16680X](#) [241A17390X](#) [241A20810X](#) [241A25740X](#) [CT25-44P](#) [K66X-E15S-N30](#) [K86X-BA-44S](#) [K86X-ED-15S-BR15](#) [K86X-ED-15SK](#) [L177HDE15SOL2RM23](#) [L177HRC62S](#) [L177HRC62SVFM](#) [L177HRCG62S](#) [L717HDBH44POL2RM5](#) [L717HDEG15POL2RM5](#) [L77HDA26SVF](#) [L77HDE15SD1CO](#) [L77HDEH15SOL2RM832](#) [DAMA-15S-WS](#)
[443895-3](#)