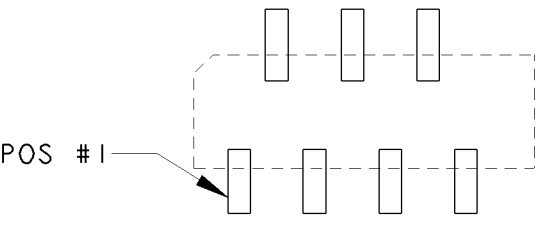
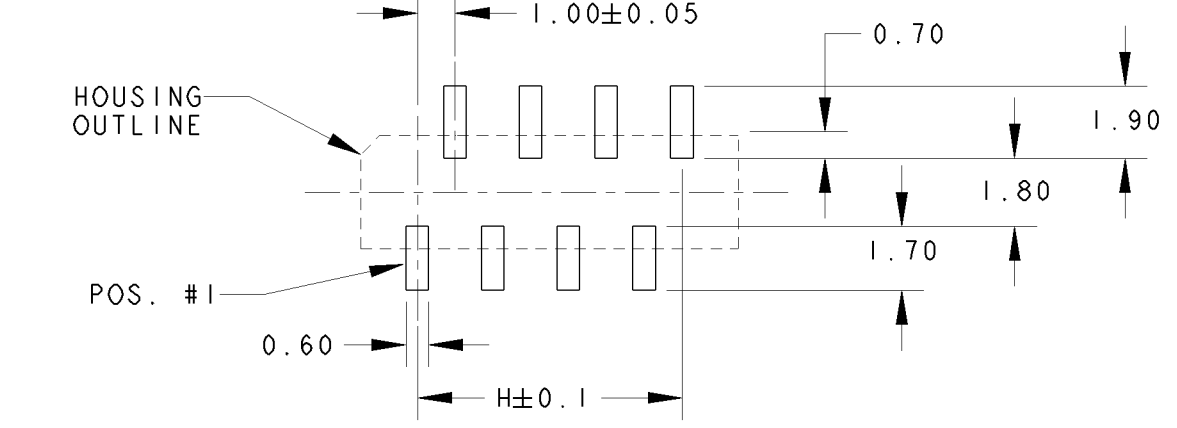
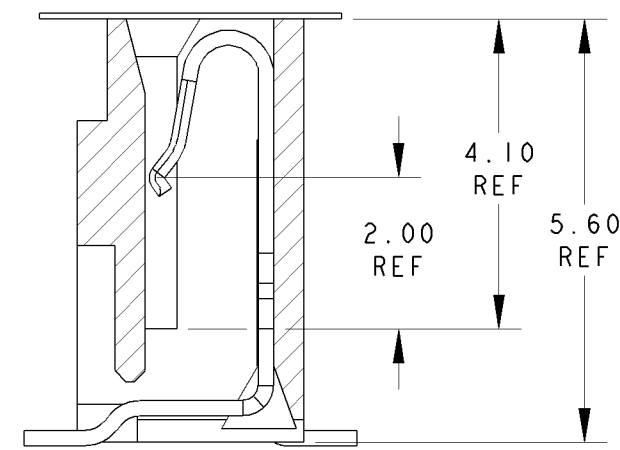
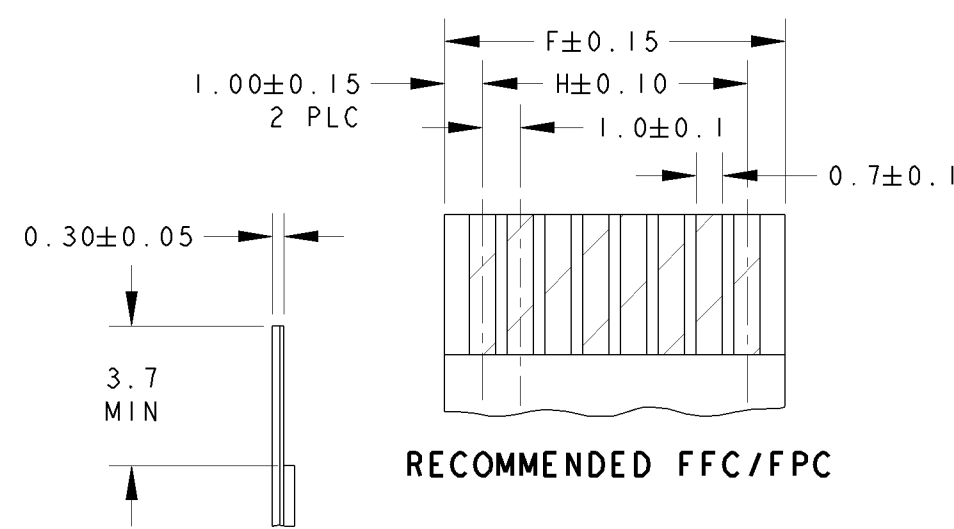


THIS DRAWING IS UNPUBLISHED. RELEASED FOR PUBLICATION .19
 © COPYRIGHT 19 BY AMP INCORPORATED. ALL RIGHTS RESERVED.

LOC	DIST	REVISIONS			
P	LTR	DESCRIPTION	DATE	DWN	APVD
DY	-	L REVISED ECR-10-012020	23JUL10	LYM	LSF

NOTES:
 1 MATERIAL:
 HOUSING: GLASS FILLED HIGH TEMP NYLON, NATURAL COLOR (BEIGE)
 CONTACT: PHOSPHOR BRONZE
 2 FINISH: MATTE TIN OVER NICKEL UNDERPLATE
 3. PACKAGING: TAPE & REEL (PACKAGING SPEC: 107-51189)



29.00	32.00	31.00	31.00	10.0	30	3-	-0
28.00	31.00	30.00	30.00		29	2-	-9
27.00	30.00	29.00	29.00		28	2-	-8
26.00	29.00	28.00	28.00		27	2-	-7
25.00	28.00	27.00	27.00		26	2-	-6
24.00	27.00	26.00	26.00		25	2-	-5
23.00	26.00	25.00	25.00		24	2-	-4
22.00	25.00	24.00	24.00		23	2-	-3
21.00	24.00	23.00	23.00		22	2-	-2
20.00	23.00	22.00	22.00		21	2-	-1
19.00	22.00	21.00	21.00	20	2-	-0	
18.00	21.00	20.00	20.00	19	1-	-9	
17.00	20.00	19.00	19.00	18	1-	-8	
16.00	19.00	18.00	18.00	17	1-	-7	
15.00	18.00	17.00	17.00	16	1-	-6	
14.00	17.00	16.00	16.00	15	1-	-5	
13.00	16.00	15.00	15.00	14	1-	-4	
12.00	15.00	14.00	14.00	13	1-	-3	
11.00	14.00	13.00	13.00	12	1-	-2	
10.00	13.00	12.00	12.00	11	1-	-1	
9.00	12.00	11.00	11.00	10	1-	-0	
8.00	11.00	10.00	10.00	9		-9	
7.00	10.00	9.00	9.00	8		-8	
6.00	9.00	8.00	8.00	7		-7	
5.00	8.00	7.00	7.00	6		-6	
4.00	7.00	6.00	6.00	5		-5	
3.00	6.00	5.00	5.00	4		1735042-4	

H	G	F	E	D	POS.	ON TAPE PART NO.
---	---	---	---	---	------	------------------

THIS DRAWING IS A CONTROLLED DOCUMENT FOR AMP INCORPORATED. IT IS SUBJECT TO CHANGE AND THE CONTROLLING ENGINEERING ORGANIZATION SHOULD BE CONTACTED FOR THE LATEST REVISION.

CHK WYLEE 25JUN04
 LP TAN
 APVD SF LEONG
 PRODUCT SPEC 108-51054
 APPLICATION SPEC -
 WEIGHT -
 CUSTOMER DRAWING

Tyco Electronics Corporation Singapore
 Tyco Electronics
 NAME ON TAPING (EMBOSS)
 ASSY, 1.00mm FFC CONN. WITH KAPTON TAPE SMT, V, (NON-ZIF)
 SIZE A3 CAGE CODE 00779 DRAWING NO C-1735042
 SCALE 2:1 SHEET 1 OF 1 REV L

DIMENSIONS: mm TOLERANCES UNLESS OTHERWISE SPECIFIED:
 0 PLC ±0.3
 1 PLC ±0.3
 2 PLC ±0.3
 3 PLC ±0.3
 4 PLC ±0.3
 ANGLES ±3°
 MATERIAL 1 FINISH 2

RECOMMENDED PCB LAYOUT (NON-ACCUMULATIVE TOLERANCE) (FOR EVEN POSITION CONNECTORS)

RECOMMENDED PCB LAYOUT (FOR ODD POSITION CONNECTORS)

X-ON Electronics

Largest Supplier of Electrical and Electronic Components

Click to view similar products for [FFC & FPC Connectors](#) category:

Click to view products by [TE Connectivity](#) manufacturer:

Other Similar products are found below :

[HFW11R-1STE1H1LF](#) [FH29B-100S-0.2SHW\(99\)](#) [FA5S008HP1](#) [FH29B-120S-0.2SHW\(99\)](#) [FH29B-80S-0.2SHW\(99\)](#) [FHS-16](#) [FPH-2022G](#)
[52610-1075](#) [52610-1275](#) [52610-1934](#) [XF3M\(1\)-1415-1B-R100](#) [501864-3091-TR225](#) [0525594033](#) [086210010340800](#) [086222026001800](#)
[52271-2869-CUT-TAPE](#) [62674-201121DLF](#) [62684-36210E9ALF](#) [52610-1675](#) [52746-1671-TR250](#) [10051922-2810EHLF](#) [6-520415-9](#)
[BD021-09A-A1-0350-0200-0550-LD](#) [SFV6R-1STE9HLF](#) [XF3M-2915-1B-R100](#) [1658549-1](#) [62674-221121ALF](#) [46214008010800](#)
[046298003000883](#) [151660622](#) [842-816-2630-035](#) [AYF530665TA](#) [AYF351525](#) [046296011930846+](#) [AYF352325A](#) [046254020000800+](#)
[FH19C-13S-0.5SH\(99\)](#) [FH39J-51S-0.3SHW\(99\)](#) [AYF355125A](#) [AYF530365TA](#) [FH29B-44S-0.2SHW\(99\)](#) [SFW5R-2STAE9LF](#) [AYF351125A](#)
[AYF350725A](#) [62684-502100AHLF](#) [FH39-61S-0.3SHW\(99\)](#) [AYF414035A](#) [10064555-172520HLF](#) [AYF212335A](#) [504754-2500](#)