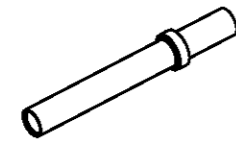
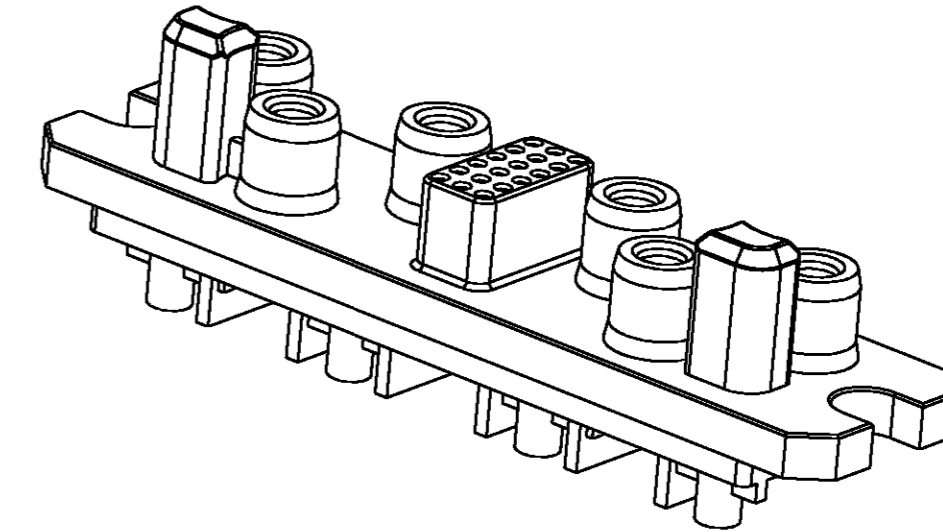


THIS DRAWING IS UNPUBLISHED. RELEASED FOR PUBLICATION 20  
 © COPYRIGHT 20 BY TYCO ELECTRONICS CORPORATION. ALL RIGHTS RESERVED.

LOC	DIST	REVISIONS					
		P	LTR	DESCRIPTION	DATE	DWN	APVD
GP	00		A	NEW RELEASE	25SEP2007	RG	DO



#20 SOCKET CONTACT  
 PN 1648325-1  
 18 POSITIONS AVAILABLE  
 SCALE 2:1



- PART NUMBER CHANGES AND OR DESIGN CHANGES AFFECTING ITEM INTERCHANGEABILITY REQUIRE PRIOR TYCO ELECTRONICS APPROVAL AND AUTHORIZATION BY REVISION TO THIS DRAWING
- MATERIALS:  
 INSULATORS: THERMOPLASTIC, GLASS REINFORCED  
 UL RATED 94V-0 FLAMMABILITY RATED.  
 CONTACTS: COPPER ALLOY BODY WITH BERYLLIUM COPPER CONTACTS  
 RETENTION CLIPS: BERYLLIUM COPPER OR STAINLESS STEEL
- FINISHES:  
 INSULATOR: AS MOLDED, COLOR BLACK (MACHINED, COLOR NATURAL)  
 #20 CONTACTS: GOLD PLATED  
 CROWN BANDS: GOLD PLATED  
 RETENTION CLIPS: CLEANED
- SOCKET CONTACTS USED IN THESE CONNECTORS:  
 #20 SOCKET CONTACTS, CRIMP TERMINATION  
 PN 1648325-1, GOLD PLATED  
 ALL CRIMP CONTACTS ARE PACKAGED SEPARATELY AND SHIPPED WITH THE CONNECTOR ASSEMBLY AS A KIT.
- OUTLINE SPECIFICATION  
 SIZE #20 CONTACTS, 4 AMPS EACH, 250V  
 POLARIZED INTEGRAL CONNECTOR GUIDE POSTS WITH ±1.3 (.05) GATHERABILITY WHEN USED WITH TYCO RECOMMENDED FLOAT MOUNT SCREW.  
 STRAIGHT CONNECTOR CONFIGURATION, PANEL MOUNT
- A REFERENCE DIMENSION (X.XX) IS WITHOUT TOLERANCE AND USED FOR INFORMATION ONLY.

⚠ ITEMS PROVIDED TO THIS SPECIFICATION TO BE PERMANENTLY IDENTIFIED PER THE FOLLOWING IDENTIFIER:

TYCO ELECTRONICS P/N DATE CODE YEAR WEEK  
 XXXXXXXX-X XXXX (e.g. 0225)

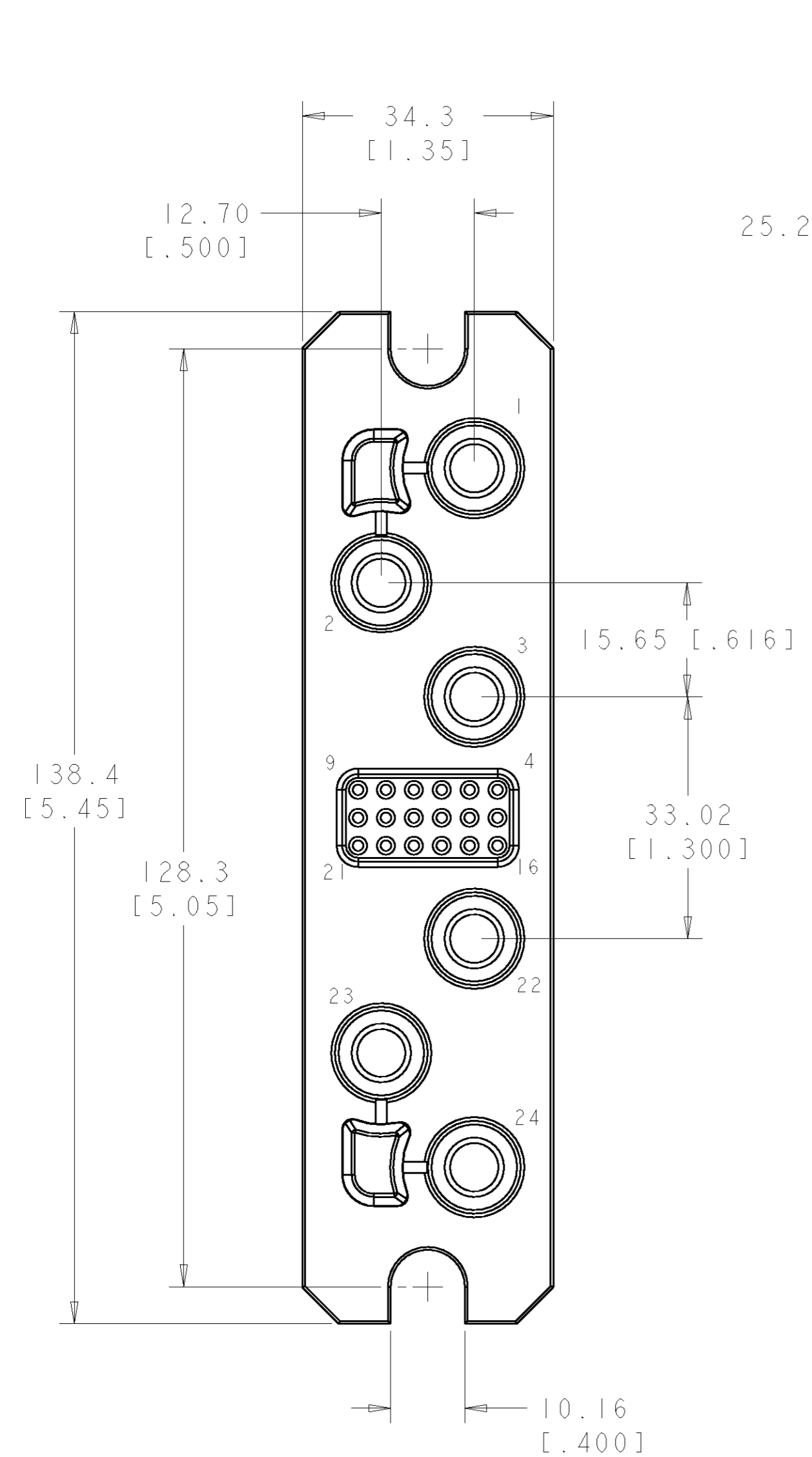
AS SHOWN	1926605-1
DESCRIPTION	PART NO.

THIS DRAWING IS A CONTROLLED DOCUMENT FOR TYCO ELECTRONICS CORPORATION. IT IS SUBJECT TO CHANGE AND THE CONTROLLING ENGINEERING ORGANIZATION SHOULD BE CONTACTED FOR THE LATEST REVISION.		DWN R. GRZYBOWSKI 6SEPT07	Tyco Electronics Harrisburg, PA 17105-3608
DIMENSIONS: mm [ INCHES ]		CHK D. ORRIS 6SEPT07	
TOLERANCES UNLESS OTHERWISE SPECIFIED: 0 PLC ± 1 PLC ±0.5 [ .02 ] 2 PLC ±0.25 [ .010 ] 3 PLC ± 4 PLC ± ANGLES ±2		APVD S. FLICKINGER 6SEPT07	
MATERIAL		PRODUCT SPEC APPLICATION SPEC	
FINISH		WEIGHT	NAME CONNECTOR, SOCKET CUSTOM DRAWER
-		CUSTOMER DRAWING	SIZE A200779
			CAGE CODE C-1926605
			DRAWING NO. 1926605
			RESTRICTED TO
			SCALE 1:1 SHEET 1 OF 2 REV A

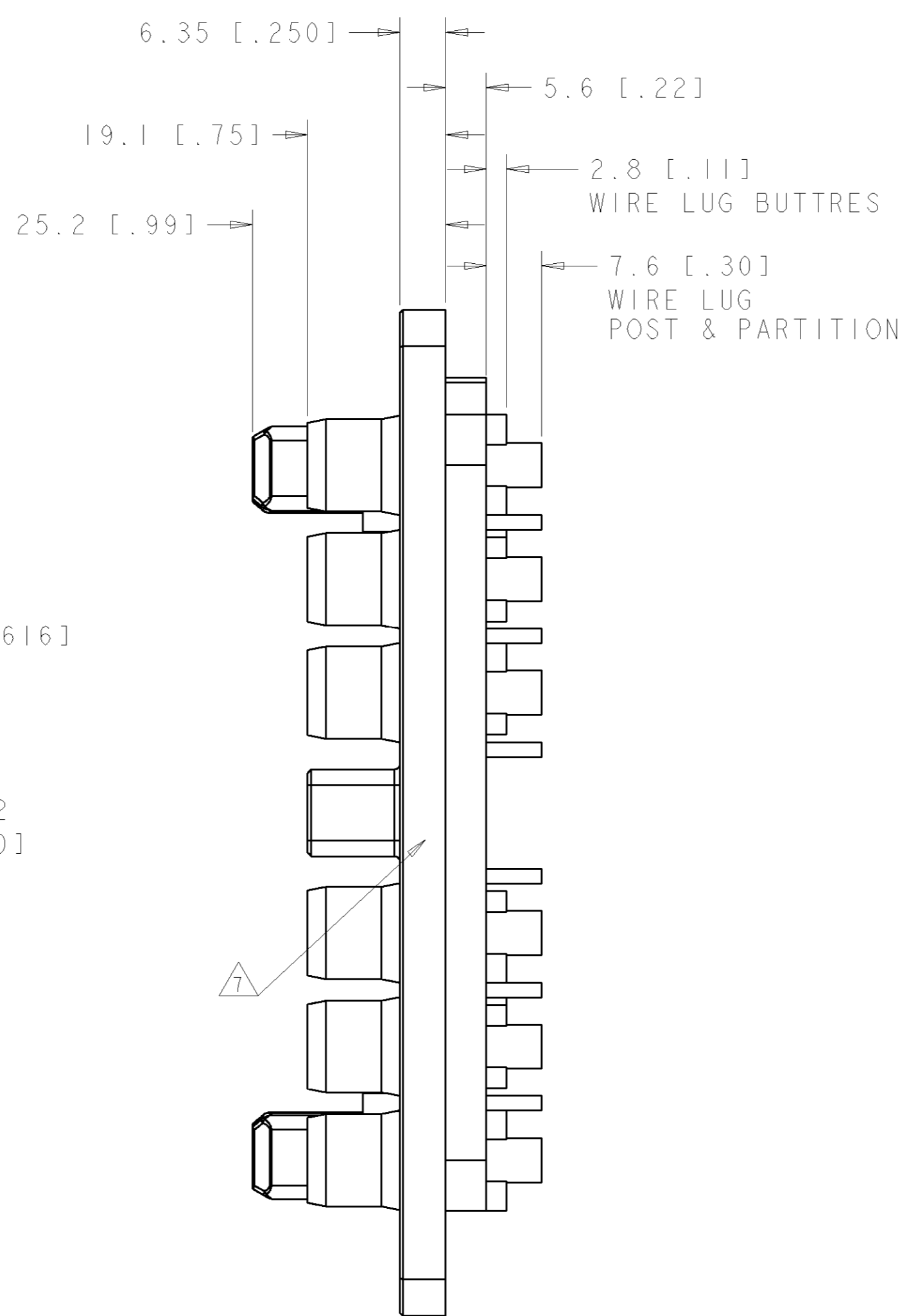
ELCON P6S18 CUSTOM DRAWER

THIS DRAWING IS UNPUBLISHED. RELEASED FOR PUBLICATION 20  
 © COPYRIGHT 20 BY TYCO ELECTRONICS CORPORATION. ALL RIGHTS RESERVED.

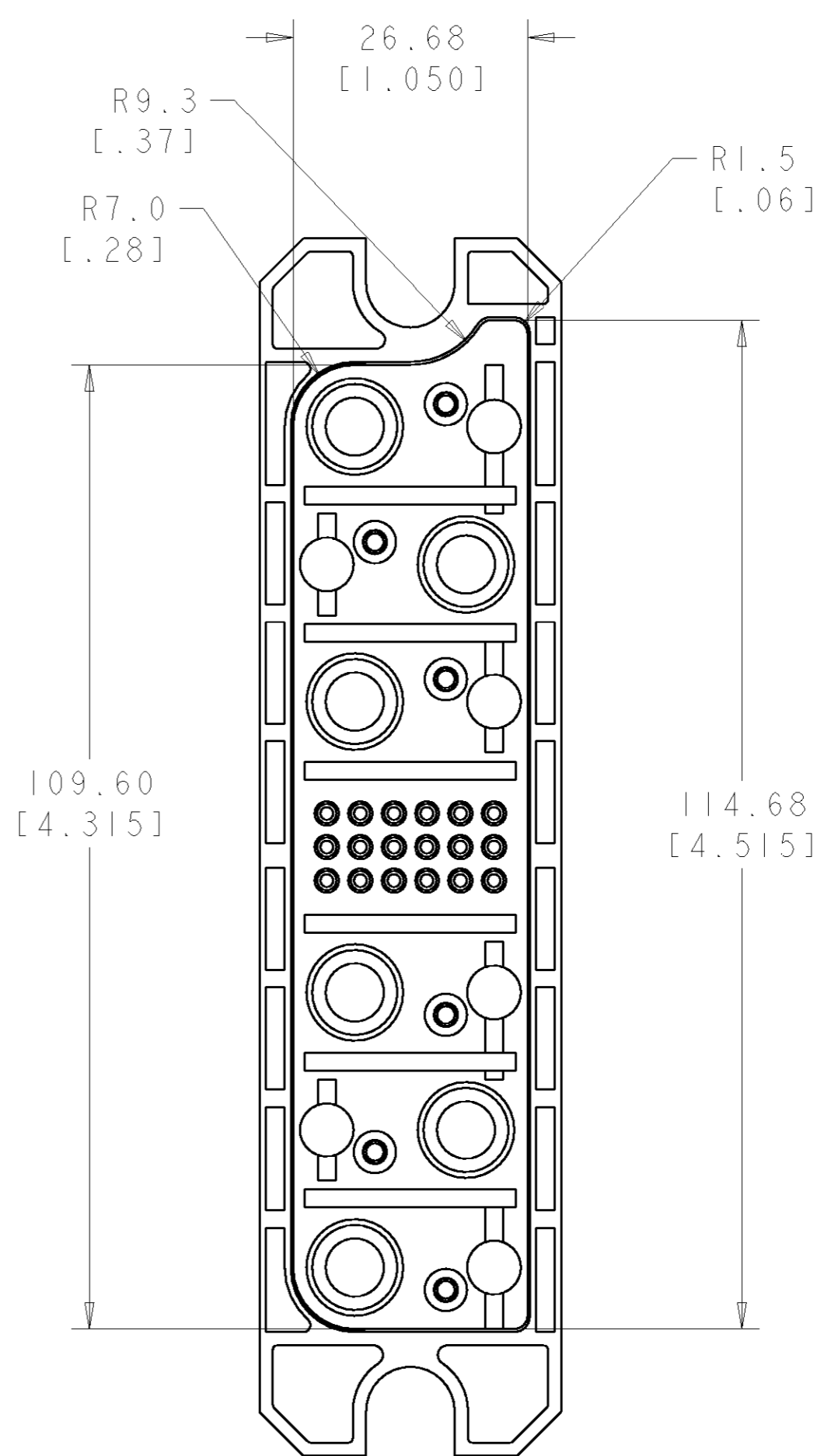
LOC	DIST	REVISIONS					
GP	00	P	LTR	DESCRIPTION	DATE	DWN	APVD
		-		SEE SHEET 1			



CONNECTOR TOP VIEW



WIRE LUG BUTTRES  
 WIRE LUG POST & PARTITION



<small>THIS DRAWING IS A CONTROLLED DOCUMENT FOR TYCO ELECTRONICS CORPORATION          IT IS SUBJECT TO CHANGE AND THE CONTROLLING ENGINEERING ORGANIZATION          SHOULD BE CONTACTED FOR THE LATEST REVISION.</small>		DWN R.GRZYBOWSKI 6SEPT07 CHK D.ORRIS 6SEPT07 APVD S.FLICKINGER 6SEPT07	<b>tyco</b> Tyco Electronics <b>Electronics</b> Harrisburg, PA 17105-3608
DIMENSIONS: mm [INCHES]	TOLERANCES UNLESS OTHERWISE SPECIFIED: 0 PLC ± 1 PLC ±0.5 [0.02] 2 PLC ±0.25 [0.010] 3 PLC ± 4 PLC ± ANGLES ±2 FINISH	NAME CONNECTOR, SOCKET CUSTOM DRAWER PRODUCT SPEC - APPLICATION SPEC - WEIGHT -	SIZE A2 CAGE CODE 00779 DRAWING NO. C-1926605 RESTRICTED TO -
MATERIAL		CUSTOMER DRAWING	SCALE 1:1 SHEET 2 OF 2 REV A

## X-ON Electronics

Largest Supplier of Electrical and Electronic Components

*Click to view similar products for te connectivity manufacturer:*

Other Similar products are found below :

[570416-000](#) [CLTEQ-M81CE-SSRELAY-4-20V](#) [D38999/24FJ4AN](#) [358838-000](#) [4-1195131-0](#) [650069-000](#) [SMD100-2](#) [CB-1022B-78](#)  
[RM707012](#) [RP410012](#) [MMS42](#) [1-640426-8](#) [2EDL4CM](#) [DTS20W19-11PD-3028-LC](#) [RM202615](#) [NC6-P104-06](#) [MSPS103B](#) [DTS26F21-41AE](#) [DTS26F21-41PE-LC](#) [DTS26F21-11SE-3028-LC](#) [1932144-1](#) [293545-4](#) [LVR125S](#) [MS27466T25F4PB](#) [CKB-38-78010](#)  
[1206SFF150F/63-2](#) [D38999/20JB35HA](#) [D38999/24WJ20PA](#) [1754138-1](#) [TE1500A2R2J](#) [DTS24F25-29PC-3028-LC](#) [D38999/24WG11HA](#)  
[D38999/24WG11HN](#) [MS27467T21F11H](#) [DJT16E21-11HA](#) [1206SFH150F/24-2](#) [DTS24F19-11SC-3028-LC](#) [DTS24F21-41HN-LC](#)  
[DTS24F21-41AN](#) [DTS24F21-41PN-LC](#) [RP330024](#) [MS27467T21F35J](#) [MS27467T21F11J](#) [MS27467T21F16H-LC](#) [MS27467T21F35H](#)  
[MS27467T21F41H-LC](#) [DJT16E21-11PA-LC](#) [DJT16E21-11HA-LC](#) [DJT16E21-11AA](#) [MS27467T21B11JA](#)