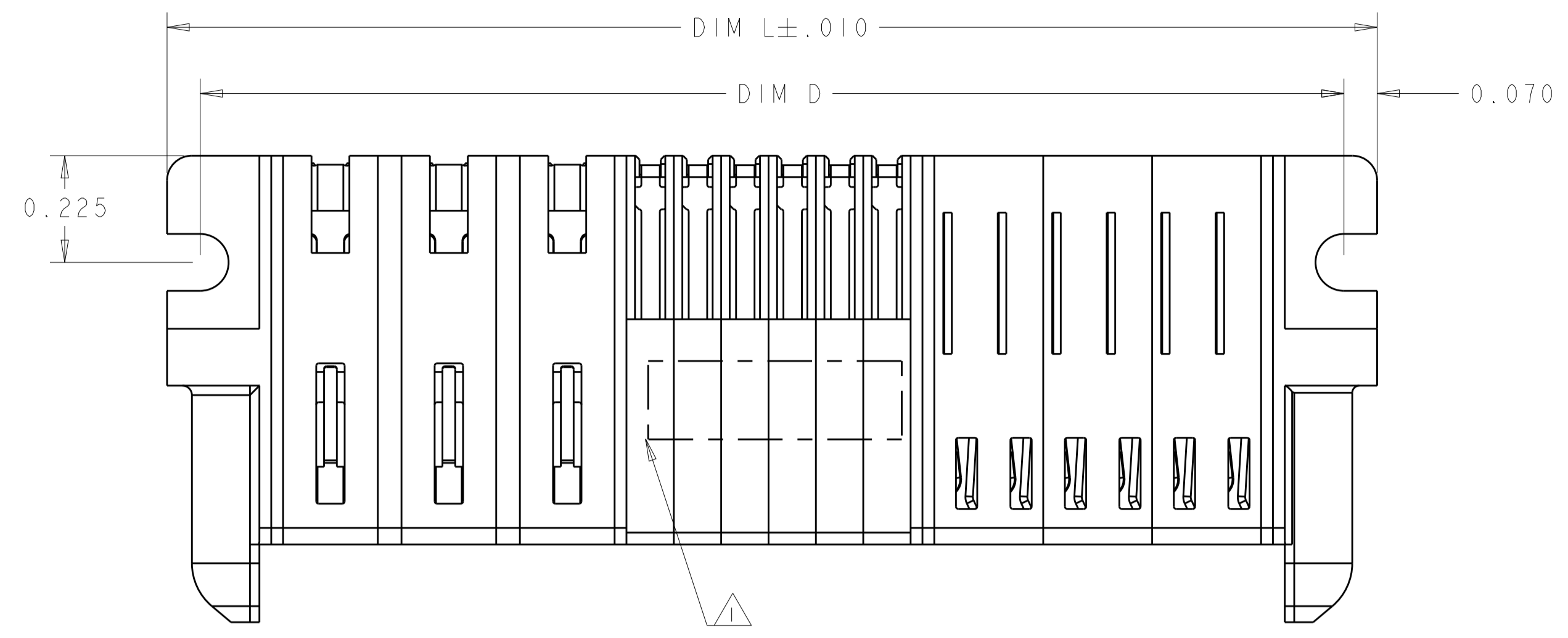
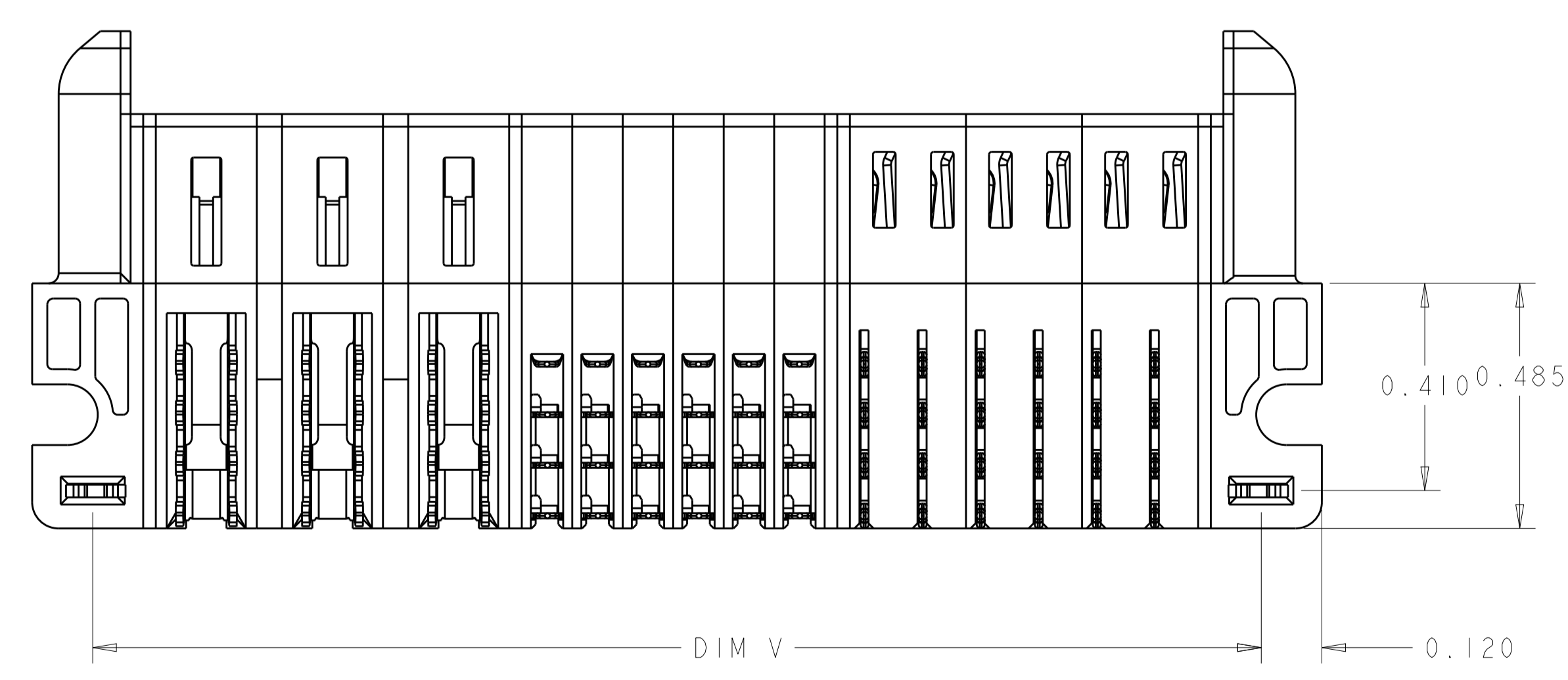
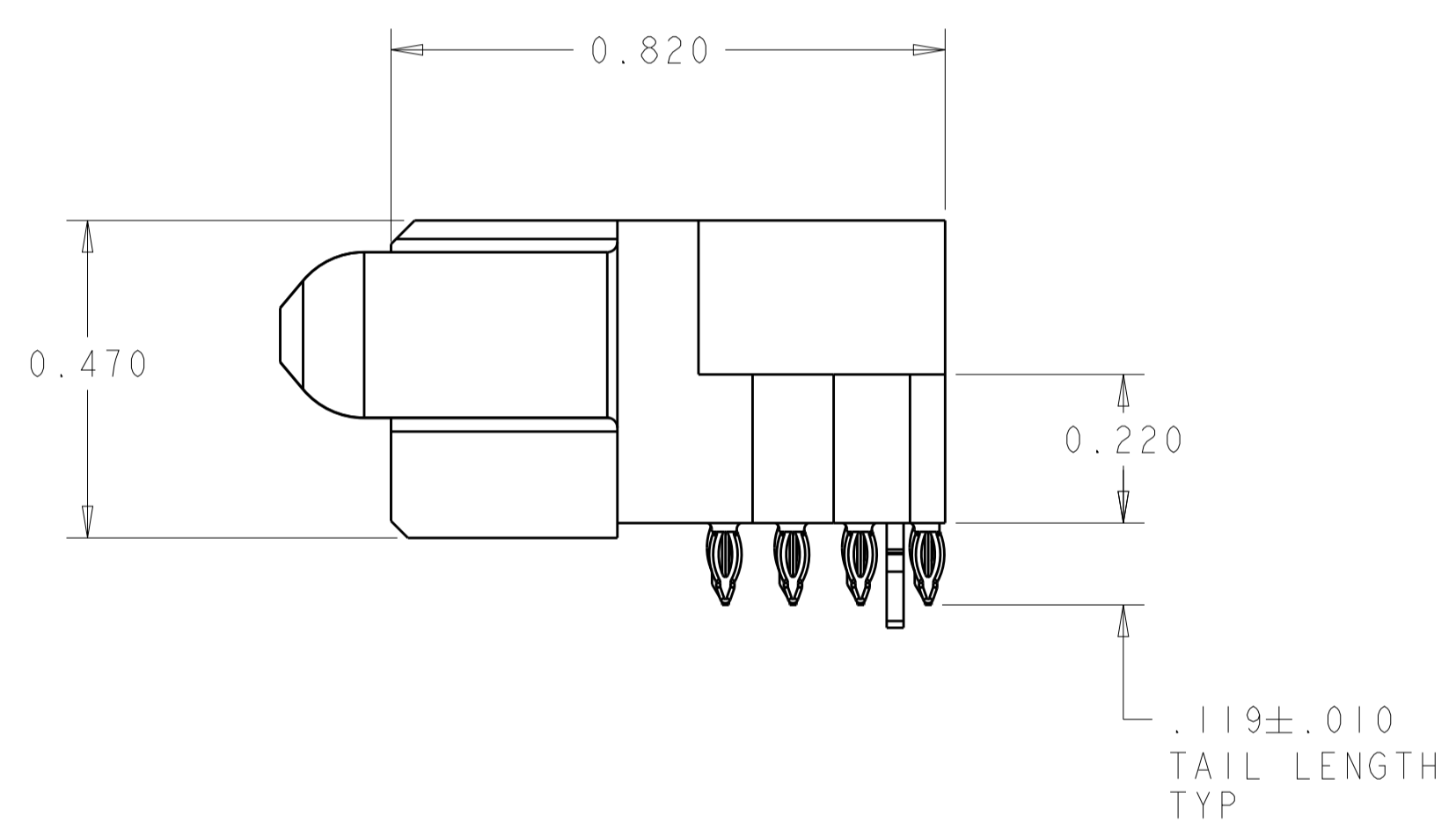
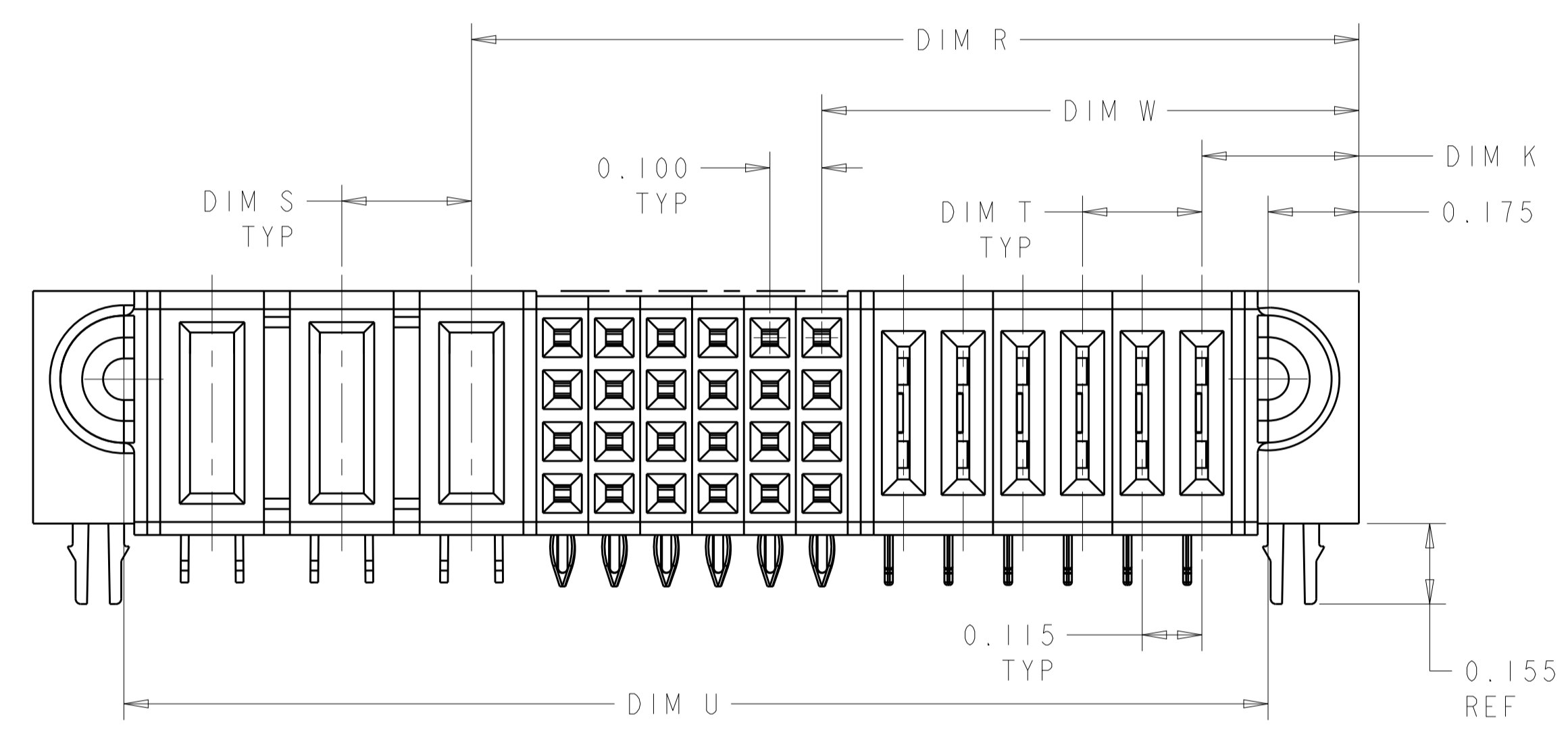


LOC		DIST		REVISIONS			
ES	00	P	LTN	DESCRIPTION	DATE	DMN	APVD
		F5		REMOVED 2-8			



- △ "AMP", PART NUMBER, AND DATE CODE TO BE MARKED IN AREA SHOWN PARTS UNDER 2.000 MAY BE MARKED ON BOTH SIDES.
- △ MATERIAL: HOUSING - GLASS FILLED HIGH TEMP THERMO PLASTIC, UL94 V-0
 SIGNAL CONTACT - COPPER ALLOY
 POWER CONTACT - HIGH CONDUCTIVITY COPPER ALLOY
- △ CONTACT PLATING: NOBLE METAL PLATING ON CONTACT FUNCTIONAL AREA OF POWER AND SIGNAL CONTACTS
- △ MECHANICAL CONNECTOR KEEP OUT ZONE
- △ DATUM AND BASIC DIMENSIONS ESTABLISHED BY CUSTOMER
- △ PCB - ALL HOLE DIAMETERS ARE FINISHED HOLE SIZES
- △ PCB - .0453 ±.0010 DRILLED HOLE PLATED WITH .0003 MIN Sn OVER .001-.003 PLATING TO ACHIEVE A .040 HOLE
- △ FOR P/S/P, P/S/LP CONFIGURATION, PLEASE REFER TO SHEET 2
- △ CONTACTS LUBRICATED WITH HMI5 AFTER PLATING.



.240	.165	1.980	2.080	1.870	2.220	1.4225	.990	.2775	3LP + 16S + 4LP	2-6450880-7
.250	.250	1.750	1.850	1.640	1.990	1.345	.845	.395	2P + 16S + 2P	2-6450880-6
.230	.250	-	5.595	5.385	5.735	4.6025	3.345	.370	12P + 48S + 12LP	2-6450880-3
-	-	.880	.980	.770	1.120	.8425	.435	.2775	1LP + 16S + 1LP	2-6450880-0
.200	.200	2.350	2.450	2.240	2.590	1.670	1.095	.320	4HDP + 20S + 4HDP	1-6450880-9
.250	.250	3.900	4.000	3.790	4.140	2.820	1.520	.320	5P + 48S + 5P	1-6450880-8
.250	.250	3.300	3.400	3.190	3.540	2.195	1.520	.345	5P + 24S + 5P	1-6450880-7
.250	.250	1.750	1.850	1.640	1.990	1.370	.845	.370	2P + 16S + 2P	1-6450880-5
.250	.250	6.000	6.100	5.890	6.240	4.145	2.270	.345	8P + 72S + 8P	1-6450880-1
-	-	.600	.700	.490	.840	-	.270	-	16S	1-6450880-0
.230	.250	5.495	5.595	5.385	5.735	4.6025	3.345	.370	12P+ 48S+ 8LP	6450880-8
.250	.250	4.400	4.500	4.290	4.640	2.545	2.270	.345	8P + 8S + 8P	6450880-7
.230	-	1.190	1.290	1.080	1.430	-	1.060	.3775	6LP + 8S	6450880-6
-	-	1.475	1.575	1.365	1.715	1.320	.595	.370	1P + 24S + 1P	6450880-5
.230	.250	-	5.595	5.385	5.735	4.6025	3.345	.370	12P+ 48S+ 8LP	6450880-4
.300	.200	5.150	5.250	5.040	5.390	2.845	1.520	.370	4ACP + 48S + 12HDP	6450880-3
.230	.250	2.315	2.415	2.205	2.555	1.710	1.035	.3025	6LP + 24S + 3P	6450880-1
DIM T	DIM S	DIM V	DIM D	DIM U	DIM L	DIM R	DIM W	DIM K	DESCRIPTION	PART NUMBER

THIS DRAWING IS A CONTROLLED DOCUMENT. DWN S. ZHAO 25MAY2007
 CH S. ZHAO 25MAY2007
 APVD S. ZHAO 25MAY2007

DIMENSIONS: INCHES TOLERANCES UNLESS OTHERWISE SPECIFIED:
 0 PLC ±.1
 1 PLC ±.01
 2 PLC ±.005
 3 PLC ±.0025
 4 PLC ±.0020
 ANGLES ±.0025

MATERIAL: 2 FINISH: -

PRODUCT SPEC: 108-2292
 APPLICATION SPEC: 114-13251

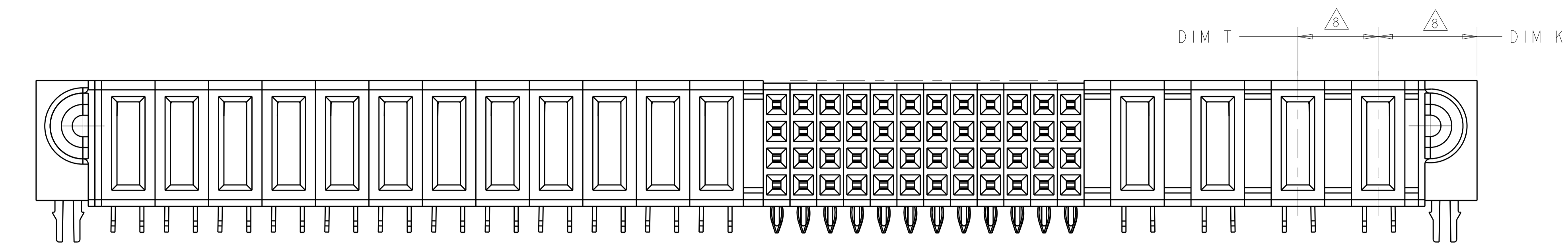
WEIGHT: -
 CUSTOMER DRAWING

NAME: RIGHT ANGLE RECEPTACLE WITH LP CONTACT AND SHORT END MODULES MULTI-BEAM XLE
 SIZE: A1
 CAGE CODE: 6450880
 DRAWING NO: 100779

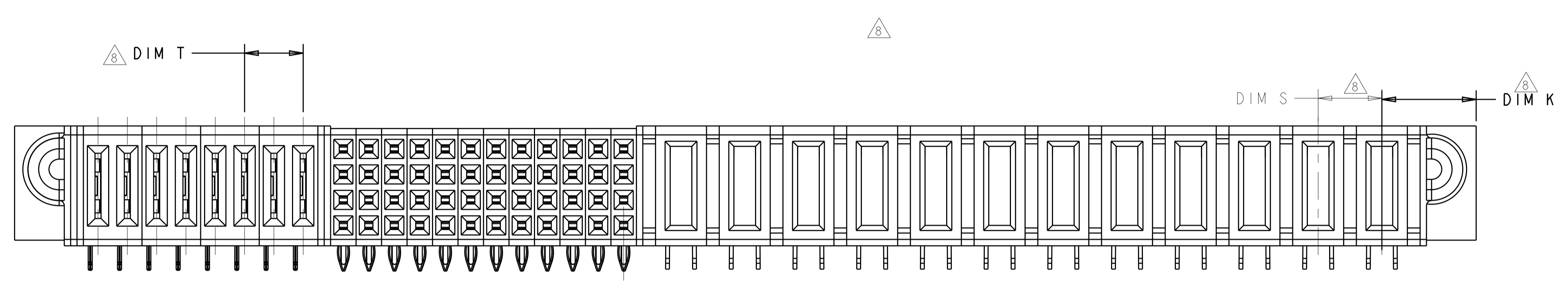
RESTRICTED TO: -
 SCALE: 4:1 SHEET 13 OF 13 REV: F5

TE Connectivity

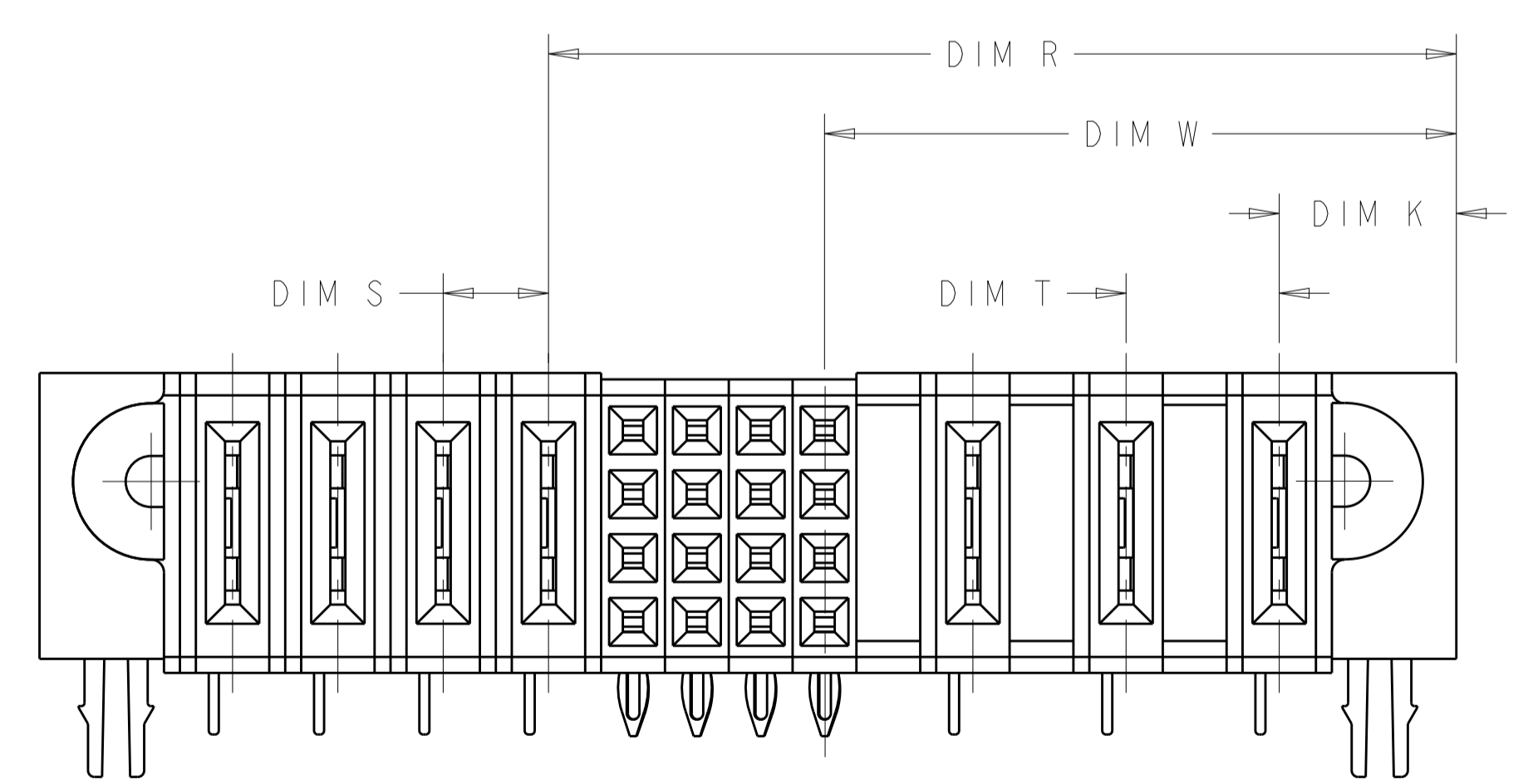
LOC		DIST		REVISIONS			
ES	00	P	LTH	DESCRIPTION	DATE	DWN	APVD
		-		SEE SHEET 1	-	-	-



PART NUMBER 6450880-3
 UNSPECIFIED DIM REFER TO SHEET 1
 SCALE 7:2



PART NUMBER 6450880-4, 2-6450880-3
 UNSPECIFIED DIM REFER TO SHEET 1
 SCALE 7:2



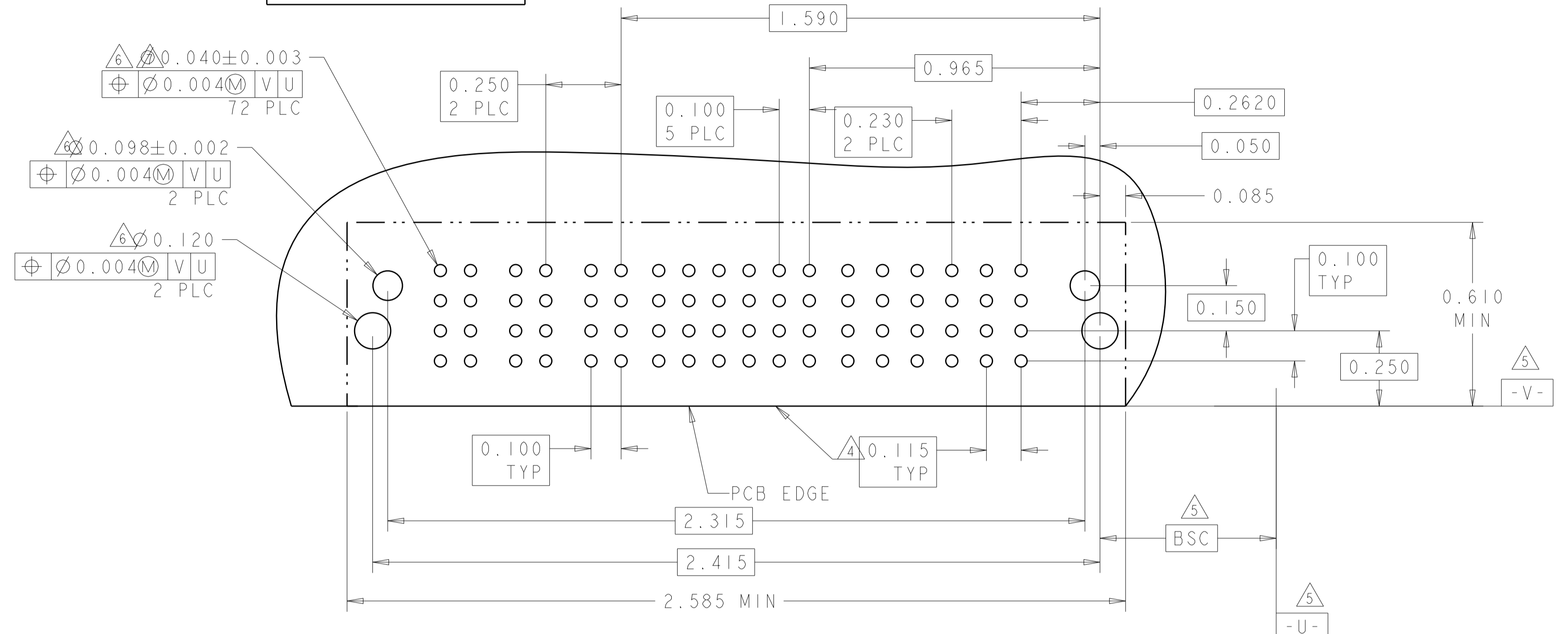
PART NUMBER 2-6450880-0, 2-6450880-7
 UNSPECIFIED DIM REFER TO SHEET 1
 FOR CONFIGURATION LP/S/LP

THIS DRAWING IS A CONTROLLED DOCUMENT.		DWN S. ZHAO 25MAY2007	
DIMENSIONS: INCHES		CHK S. ZHAO 25MAY2007	
TOLERANCES UNLESS OTHERWISE SPECIFIED:		APVD S. ZHAO 25MAY2007	
0 PLC ±.1 1 PLC ±.01 2 PLC ±.01 3 PLC ±.005 4 PLC ±.0020 ANGLES ±.2° FINISH		PRODUCT SPEC 108-2292 APPLICATION SPEC 114-13251 WEIGHT CUSTOMER DRAWING	
MATERIAL		NAME	RESTRICTED TO
		RIGHT ANGLE RECEPTACLE WITH LP CONTACT AND SHORT END MODULES MULTI-BEAM XLE	
		SIZE CAGE CODE DRAWING NO	
		A100779C=6450880	
		SCALE 4:1 SHEET 2 OF 13 REV F5	

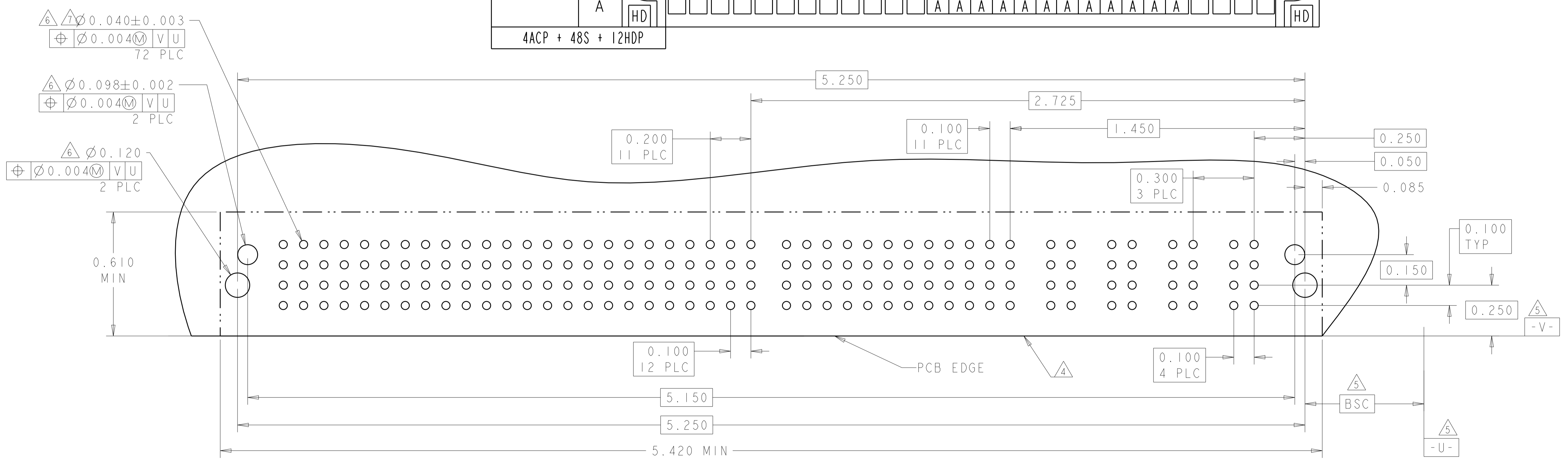
LOC	DIST	REV	DATE	BY	APPV
ES	00				

REVISIONS		DATE	BY	APPV
1	SEE SHEET 1	-	-	-

PART NUMBER	ROWS	POWER						SIGNAL						POWER																
		P3	P2	P1	6	5	4	3	2	1	LP6	LP5	LP4	LP3	LP2	LP1	LP6	LP5	LP4	LP3	LP2	LP1								
6450880-1	D C B A	[Diagram showing contact grid for part 6450880-1]																												
		RP	RS	RS	D	D	D	D	D	D	D	D	D	D	D	D	D	D	D	D	D	LS	LS	LS	LS	LS	LS	LS	LS	
					C	C	C	C	C	C	C	C	C	C	C	C	C	C	C	C	C	C	LS	LS	LS	LS	LS	LS	LS	LS
					B	B	B	B	B	B	B	B	B	B	B	B	B	B	B	B	B	B	LS	LS	LS	LS	LS	LS	LS	LS
			A	A	A	A	A	A	A	A	A	A	A	A	A	A	A	A	A	A	LS	LS	LS	LS	LS	LS	LS	LS		
6LP + 24S + 3P																														



PART NUMBER	ROWS	POWER												SIGNAL												POWER								
		P16	P15	P14	P13	P12	P11	P10	P9	P8	P7	P6	P5	12	11	10	9	8	7	6	5	4	3	2	1	P4	P3	P2	P1					
6450880-3	D C B A	[Diagram showing contact grid for part 6450880-3]																																
		RS	RS	RS	RS	RS	RS	RS	RS	RS	RS	RS	RS	D	D	D	D	D	D	D	D	D	D	D	D	D	D	D	D	D	RS	RS	RS	RS
														C	C	C	C	C	C	C	C	C	C	C	C	C	C	C	C	C	C	C	C	
														B	B	B	B	B	B	B	B	B	B	B	B	B	B	B	B	B	B	B	B	B
												A	A	A	A	A	A	A	A	A	A	A	A	A	A	A	A	A	A	A	A	A	A	
4ACP + 48S + 12HDP																																		



SIGNAL CONTACT ROW D	D
SIGNAL CONTACT ROW C	C
SIGNAL CONTACT ROW B	B
SIGNAL CONTACT ROW A	A
STD LP CONTACT	LS
MFBL POWER CONTACT	RP
STD POWER CONTACT	RS
DESCRIPTION	CODE

THIS DRAWING IS A CONTROLLED DOCUMENT.

OWN: S. ZHAO 25MAY2007
 CH: S. ZHAO 25MAY2007
 APVD: S. ZHAO 25MAY2007

DIMENSIONS: INCHES

TOLERANCES UNLESS OTHERWISE SPECIFIED:
 0 PLC ±.1
 1 PLC ±.01
 2 PLC ±.01
 3 PLC ±.005
 4 PLC ±.002
 ANGLES ±.020

MATERIAL: .
 FINISH: .

PRODUCT SPEC: 108-2292
 APPLICATION SPEC: 114-13251
 WEIGHT: .

CUSTOMER DRAWING

SCALE: 4:1 SHEET 3 OF 13 REV F5

NAME: RIGHT ANGLE RECEPTACLE WITH LP CONTACT AND SHORT END MODULES MULTI-BEAM XLE
 SIZE: A100779
 CAGE CODE: 6450880

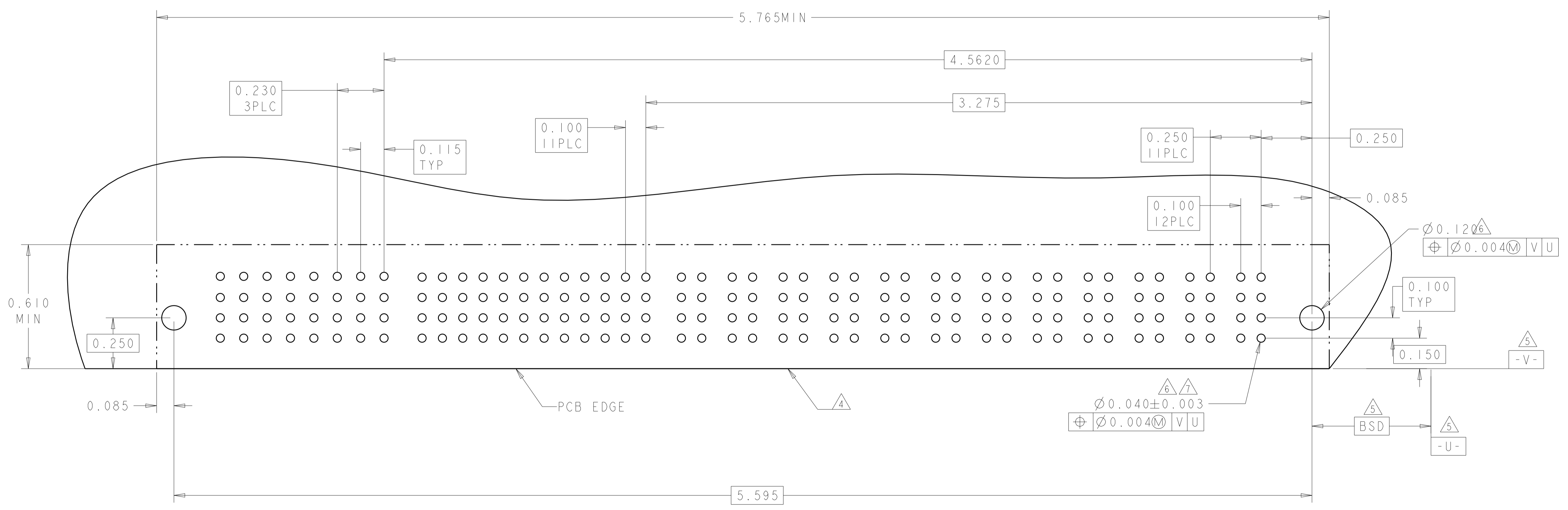
TE Connectivity

LOC		DIST		REVISIONS			
ES	00	P	LTN	DESCRIPTION	DATE	DMN	APVD
		-		SEE SHEET 1			

PART NUMBER	ROWS	POWER								SIGNAL												POWER											
		LP8	LP7	LP6	LP5	LP4	LP3	LP2	LP1	I2	I1	I0	9	8	7	6	5	4	3	2	1	P12	P11	P10	P9	P8	P7	P6	P5	P4	P3	P2	P1
6450880-4	D									D	D	D	D	D	D	D	D	D	D	D	D	RS	RS	RS	RS	RS	RS	RS	RS	RS	RS	RS	
	C	LS	LS	LS	LS	LS	LS	LS	LS	C	C	C	C	C	C	C	C	C	C	C	C	RS	RS	RS	RS	RS	RS	RS	RS	RS	RS	RS	
	B									B	B	B	B	B	B	B	B	B	B	B	B												
	A									A	A	A	A	A	A	A	A	A	A	A	A												
12P + 48S + 8LP																																	

PART NUMBER	ROWS	POWER								SIGNAL												POWER											
		LP8	LP7	LP6	LP5	LP4	LP3	LP2	LP1	I2	I1	I0	9	8	7	6	5	4	3	2	1	P12	P11	P10	P9	P8	P7	P6	P5	P4	P3	P2	P1
6450880-8	D									D	D	D	D	D	D	D	D	D	D	D	D	RS	RS	RS	RS	RS	RS	RS	RS	RS	RS	RS	
	C	LS	LS	LS	LS	LS	LS	LS	LS	C	C	C	C	C	C	C	C	C	C	C	C	RS	RS	RS	RS	RS	RS	RS	RS	RS	RS	RS	
	B									B	B	B	B	B	B	B	B	B	B	B	B												
	A									A	A	A	A	A	A	A	A	A	A	A	A												
12P + 48S + 8LP																																	

PART NUMBER	ROWS	POWER								SIGNAL												POWER											
		LP8	LP7	LP6	LP5	LP4	LP3	LP2	LP1	I2	I1	I0	9	8	7	6	5	4	3	2	1	P12	P11	P10	P9	P8	P7	P6	P5	P4	P3	P2	P1
2-6450880-3	D									D	D	D	D	D	D	D	D	D	D	D	D	RS	RS	RS	RS	RS	RS	RS	RS	RS	RS	RS	
	C	LS	LS	LS	LS	LS	LS	LS	LS	C	C	C	C	C	C	C	C	C	C	C	C	RS	RS	RS	RS	RS	RS	RS	RS	RS	RS	RS	
	B									B	B	B	B	B	B	B	B	B	B	B	B												
	A									A	A	A	A	A	A	A	A	A	A	A	A												
12P + 48S + 8LP																																	



PCB LAYOUT FOR P/N: 6450880-4 ; 6450880-8 AND 2-6450880-3

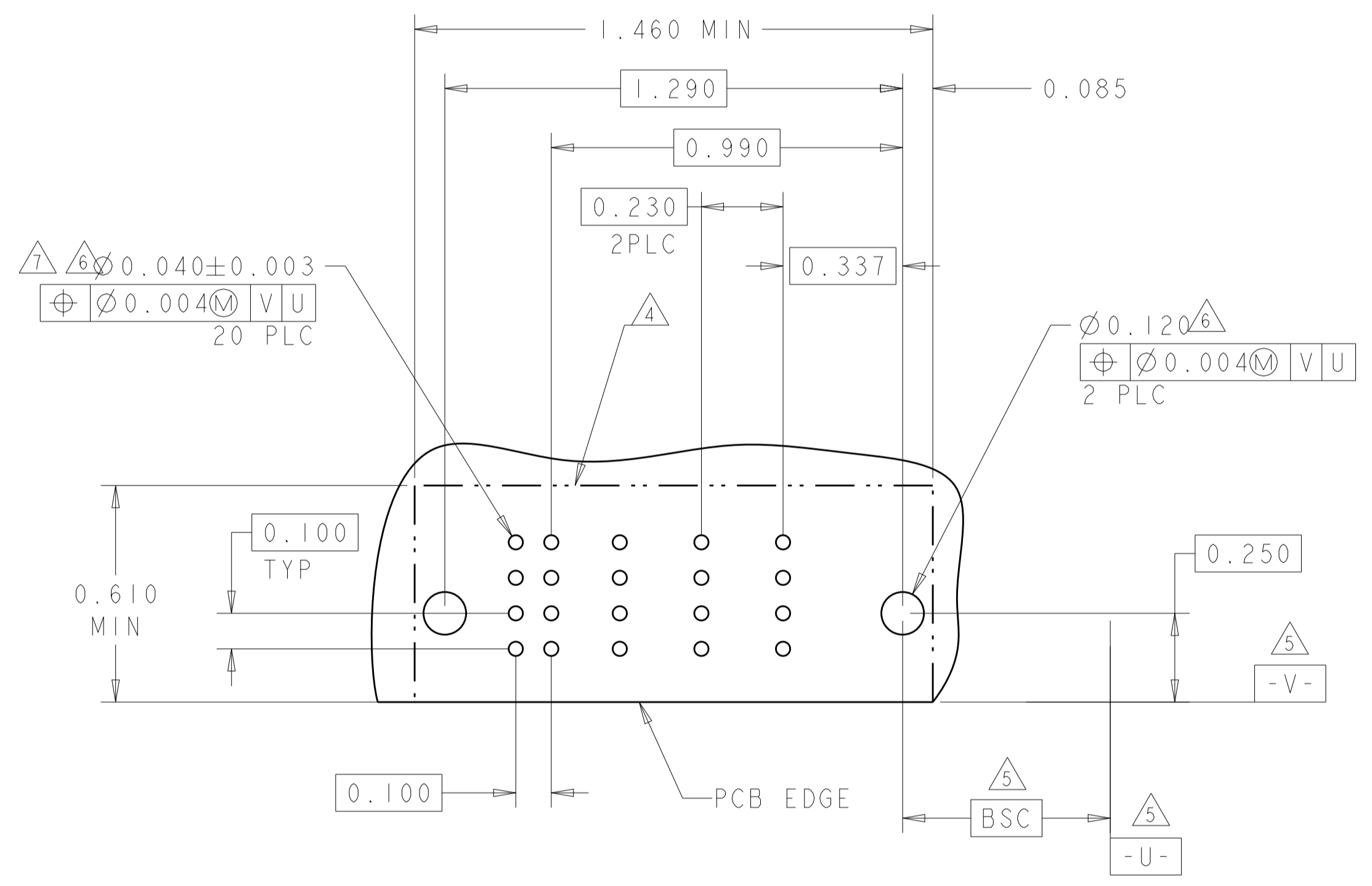
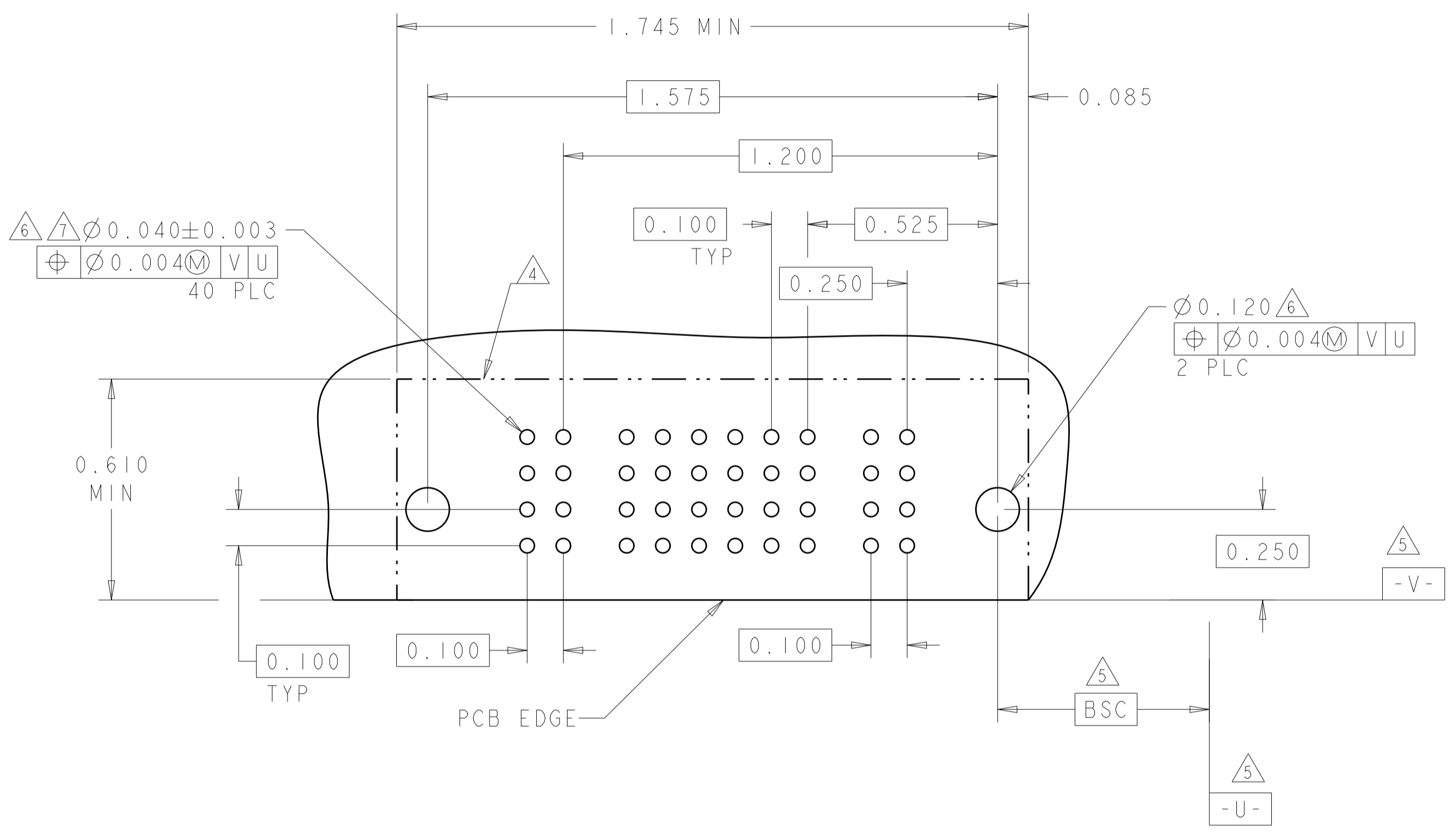
THIS DRAWING IS A CONTROLLED DOCUMENT.		DMN S. ZHAO 25MAY2007	STE TE Connectivity
DIMENSIONS: INCHES		CHK S. ZHAO 25MAY2007	
TOLERANCES UNLESS OTHERWISE SPECIFIED:		APVD S. ZHAO 25MAY2007	NAME RIGHT ANGLE RECEPTACLE WITH LP CONTACT AND SHORT END MODULES MULTI-BEAM XLE
0 PLC ±.1		PRODUCT SPEC 108-2292	
1 PLC ±.01		APPLICATION SPEC 114-13251	SIZE CAGE CODE DRAWING NO RESTRICTED TO
2 PLC ±.005		WEIGHT	A100779C=6450880
3 PLC ±.002		CUSTOMER DRAWING	SCALE 4:1 SHEET 4 OF 13 REV F5
4 PLC ±.0020			
ANGLES ±.0020			
FINISH			

LOC	DIST	REV	DATE	BY	APPV
ES	00				

REVISIONS		DATE	BY	APPV
-	SEE SHEET 1	-	-	-

PART NUMBER	ROWS	POWER		SIGNAL						POWER		
		P2	P1	6	5	4	3	2	1	P2	P1	
6450880-5	D	RS	RS	D	D	D	D	D	D	D	RS	RS
	C			C	C	C	C	C				
	B			B	B	B	B	B				
	A			A	A	A	A	A				
IP + 24S + IP												

PART NUMBER	ROWS	SIGNAL		POWER						
		2	1	LP6	LP5	LP4	LP3	LP2	LP1	
6450880-6	D	LS	LS	LS	LS	LS	LS	LS	LS	
	C									
	B									
	A									
6LP + 8S										



THIS DRAWING IS A CONTROLLED DOCUMENT.

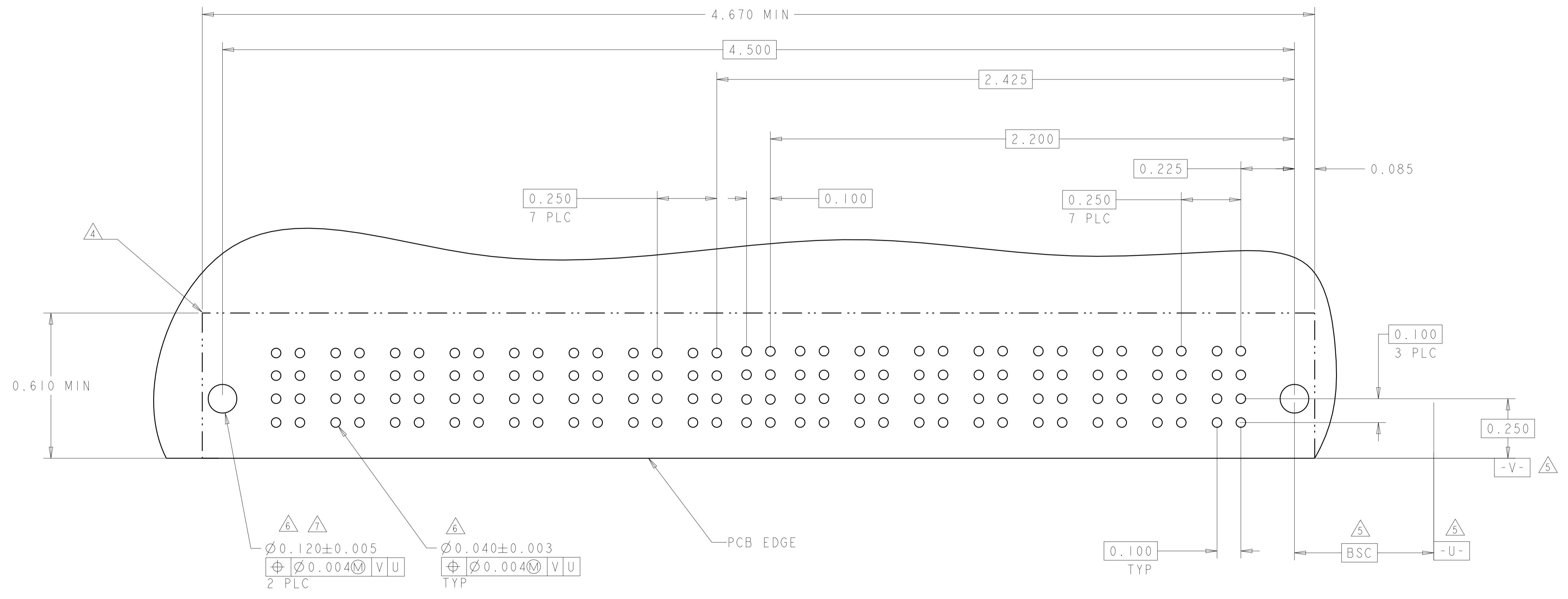
DIMENSIONS: INCHES	TOLERANCES UNLESS OTHERWISE SPECIFIED: 0 PLC ±.1 2 PLC ±.01 5 PLC ±.005 4 PLC ±.0020 ANGLES ±.2°	FINISH	FINISH
-----------------------	---	--------	--------

OWN: S. ZHAO	25MAY2007	 TE Connectivity			
CHK: S. ZHAO	25MAY2007				
APPV: S. ZHAO	25MAY2007				
NAME: RIGHT ANGLE RECEPTACLE WITH LP CONTACT AND SHORT END MODULES MULTI-BEAM XLE					
PRODUCT SPEC: 108-2292	APPLICATION SPEC: 114-13251	SIZE: A1	CAGE CODE: 00779	DRAWING NO: 6450880	RESTRICTED TO: -
CUSTOMER DRAWING		SCALE: 4:1	SHEET: 5	OF: 13	REV: F5

LOC		DIST		REVISIONS			
ES	00	P	LTH	DESCRIPTION	DATE	DWN	APVD
		-		SEE SHEET 1			

PART NUMBER	ROWS	POWER									SIGNAL		POWER								
		P16	P15	P14	P13	P12	P11	P10	P9	2	1	P8	P7	P6	P5	P4	P3	P2	P1		
6450880-7	D C B A	RS	RS	RS	RS	RS	RS	RS	RS	RS	D	D	RS	RS	RS	RS	RS	RS	RS		
											C	C									
											B	B									
											A	A									
8P + 8S + 8P																					

DI

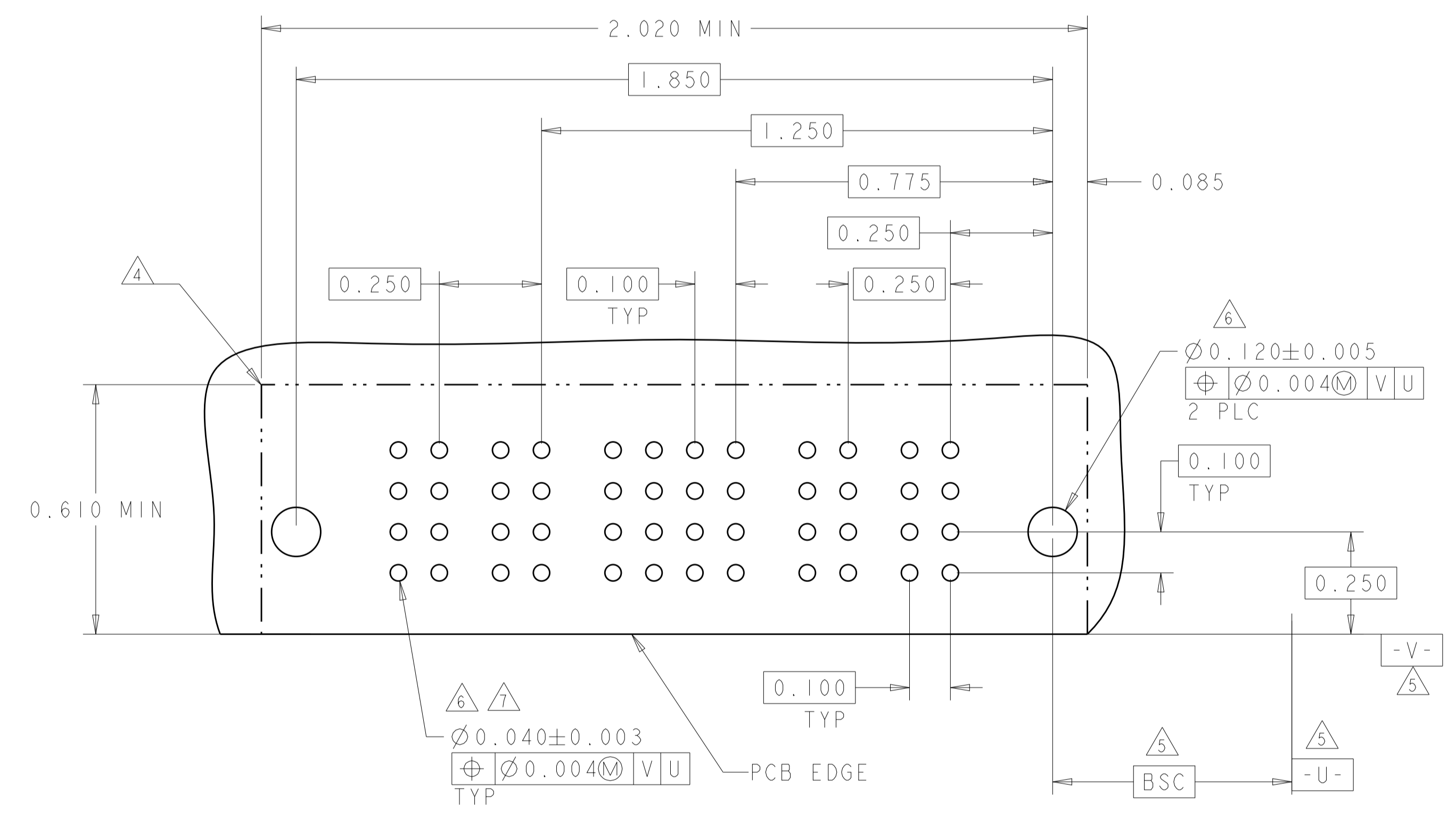
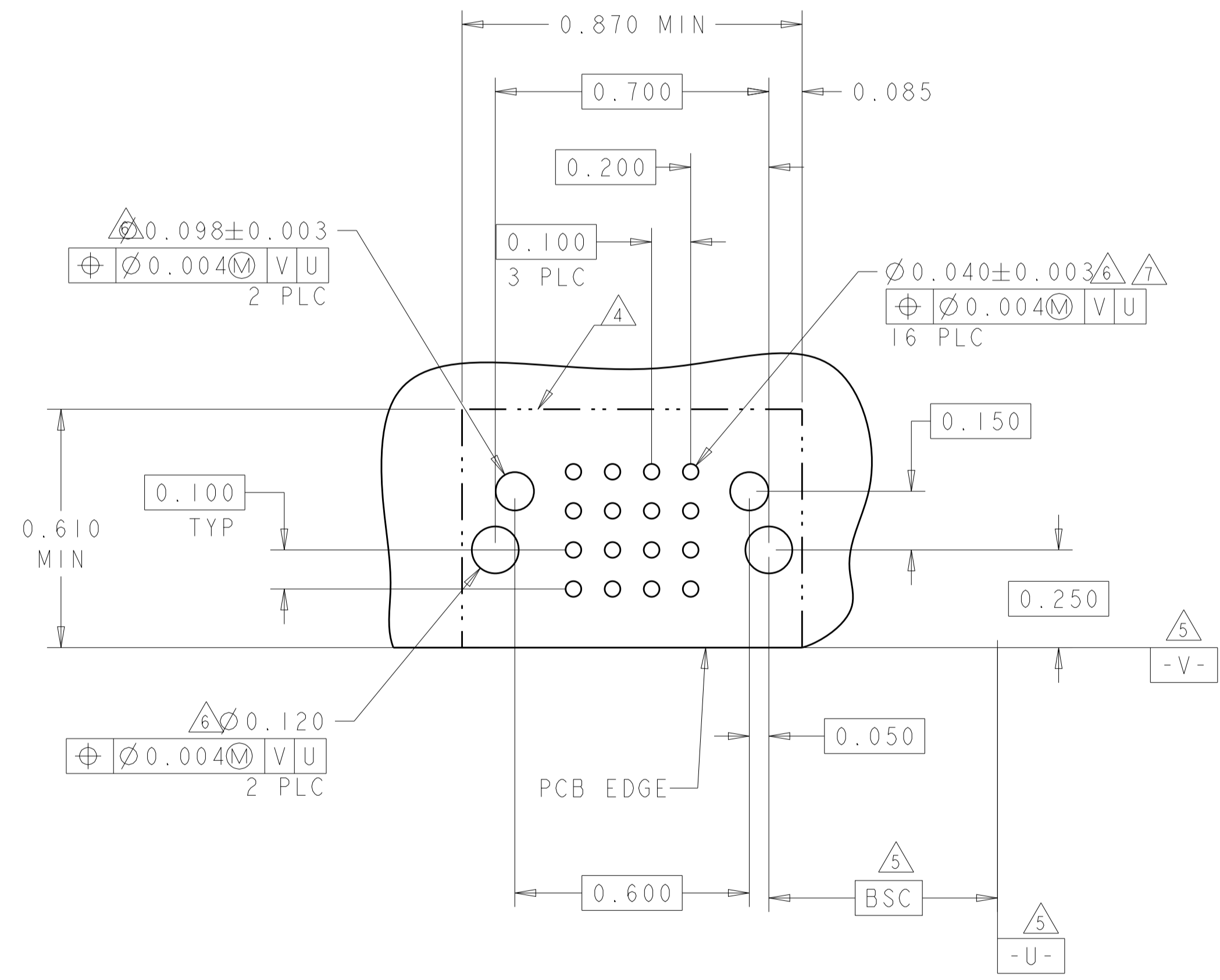


THIS DRAWING IS A CONTROLLED DOCUMENT.

DWN: S. ZHAO	25MAY2007	TE Connectivity NAME: RIGHT ANGLE RECEPTACLE WITH LP CONTACT AND SHORT END MODULES MULTI-BEAM XLE
CHK: S. ZHAO	25MAY2007	
APPV: S. ZHAO	25MAY2007	
APVD: S. ZHAO	25MAY2007	
DIMENSIONS: INCHES	TOLERANCES UNLESS OTHERWISE SPECIFIED:	PRODUCT SPEC: 108-2292 APPLICATION SPEC: 114-13251 WEIGHT: - SCALE: 4:1 SHEET 6 OF 13 REV F5
0 PLC ±. 1 PLC ±.1 2 PLC ±.01 3 PLC ±.005 4 PLC ±.002 ANGLES ±.020 FINISH: -	0 PLC ±. 1 PLC ±.1 2 PLC ±.01 3 PLC ±.005 4 PLC ±.002 ANGLES ±.020 FINISH: -	SIZE: A100779C=6450880 CUSTOMER DRAWING

PART NUMBER	ROWS		SIGNAL				
			4	3	2	1	
I-6450880-0	D	C	D	D	D	D	HD
	C		C	C	C		
	B	A	B	B	B	B	HD
	A		A	A	A		
16S							

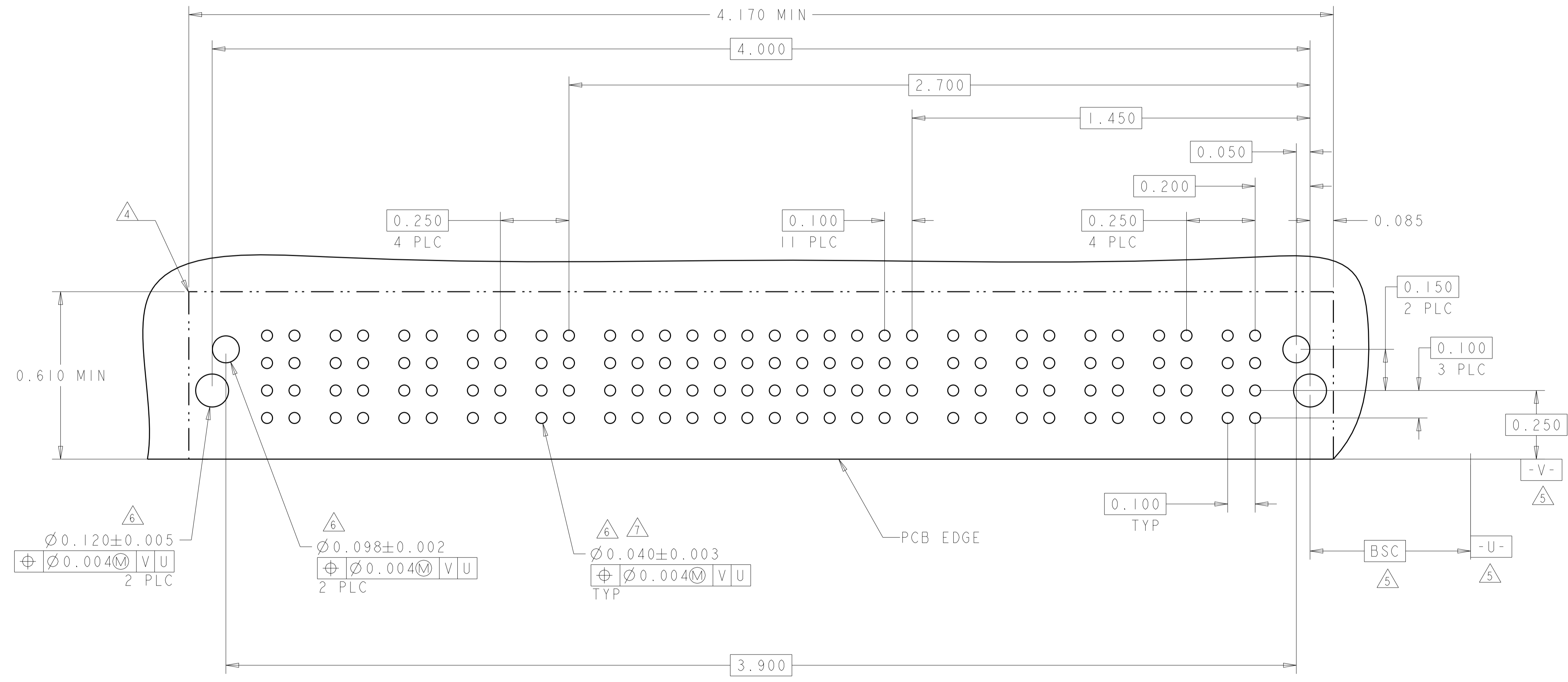
PART NUMBER	ROWS		POWER		SIGNAL				POWER		
			P4	P3	4	3	2	1	P2	P1	
I-6450880-5	D	C	RS	RS	D	D	D	D	RS	RS	HD
	C				C	C	C				
	B	A	RS	RS	B	B	B	B			
	A				A	A	A				
2P + 16S + 2P											



THIS DRAWING IS A CONTROLLED DOCUMENT.		DWN: S. ZHAO 25MAY2007	STE TE Connectivity
DIMENSIONS: INCHES		CHK: S. ZHAO 25MAY2007	
TOLERANCES UNLESS OTHERWISE SPECIFIED:		APVD: S. ZHAO 25MAY2007	NAME: RIGHT ANGLE RECEPTACLE WITH LP CONTACT AND SHORT END MODULES MULTI-BEAM XLE
0 PLC ±.1		PRODUCT SPEC: 108-2292	SIZE: A1
1 PLC ±.01		APPLICATION SPEC: 114-13251	CAGE CODE: 00779
2 PLC ±.005		WEIGHT: -	DRAWING NO: 6450880
3 PLC ±.0020		CUSTOMER DRAWING	SCALE: 4:1
ANGLES ±.020		RESTRICTED TO: -	SHEET 7 OF 13
FINISH: -		REV: F5	

LOC	DIST	REVISIONS					
		P	LTN	DESCRIPTION	DATE	DWN	APVD
ES	00	-	-	SEE SHEET 1	-	-	-

PART NUMBER	ROWS	POWER					SIGNAL										POWER											
		P10	P9	P8	P7	P6	12	11	10	9	8	7	6	5	4	3	2	1	P5	P4	P3	P2	P1					
I-6450880-8	D C B A	RS	RS	RS	RS	RS	D	D	D	D	D	D	D	D	D	D	D	D	RS	RS	RS	RS	RS					
							C	C	C	C	C	C	C	C	C	C	C	C	C	C	C	C						
							B	B	B	B	B	B	B	B	B	B	B	B	B	B	B	B	B					
							A	A	A	A	A	A	A	A	A	A	A	A	A	A	A	A	A					
5P + 48S + 5P																												



THIS DRAWING IS A CONTROLLED DOCUMENT.

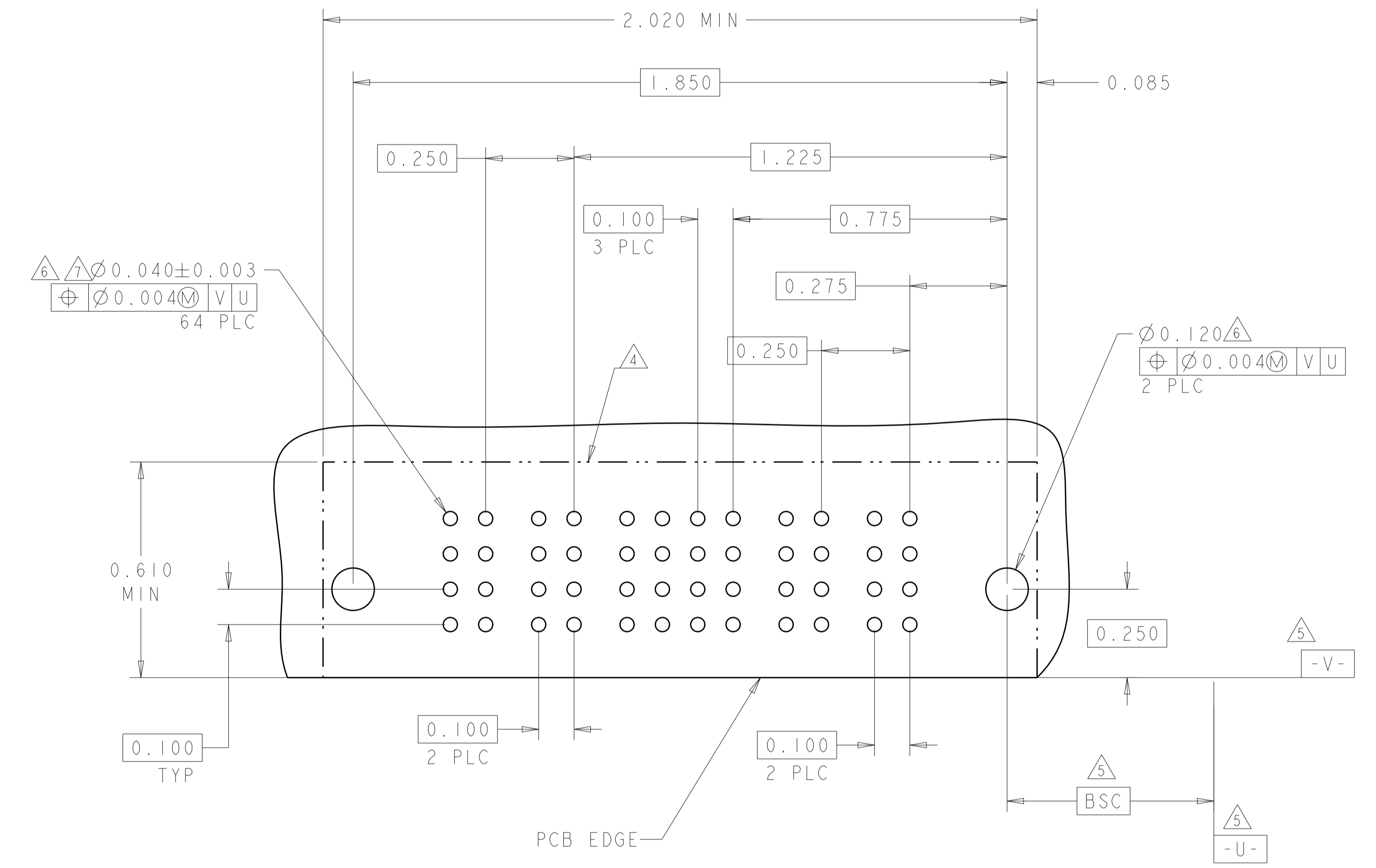
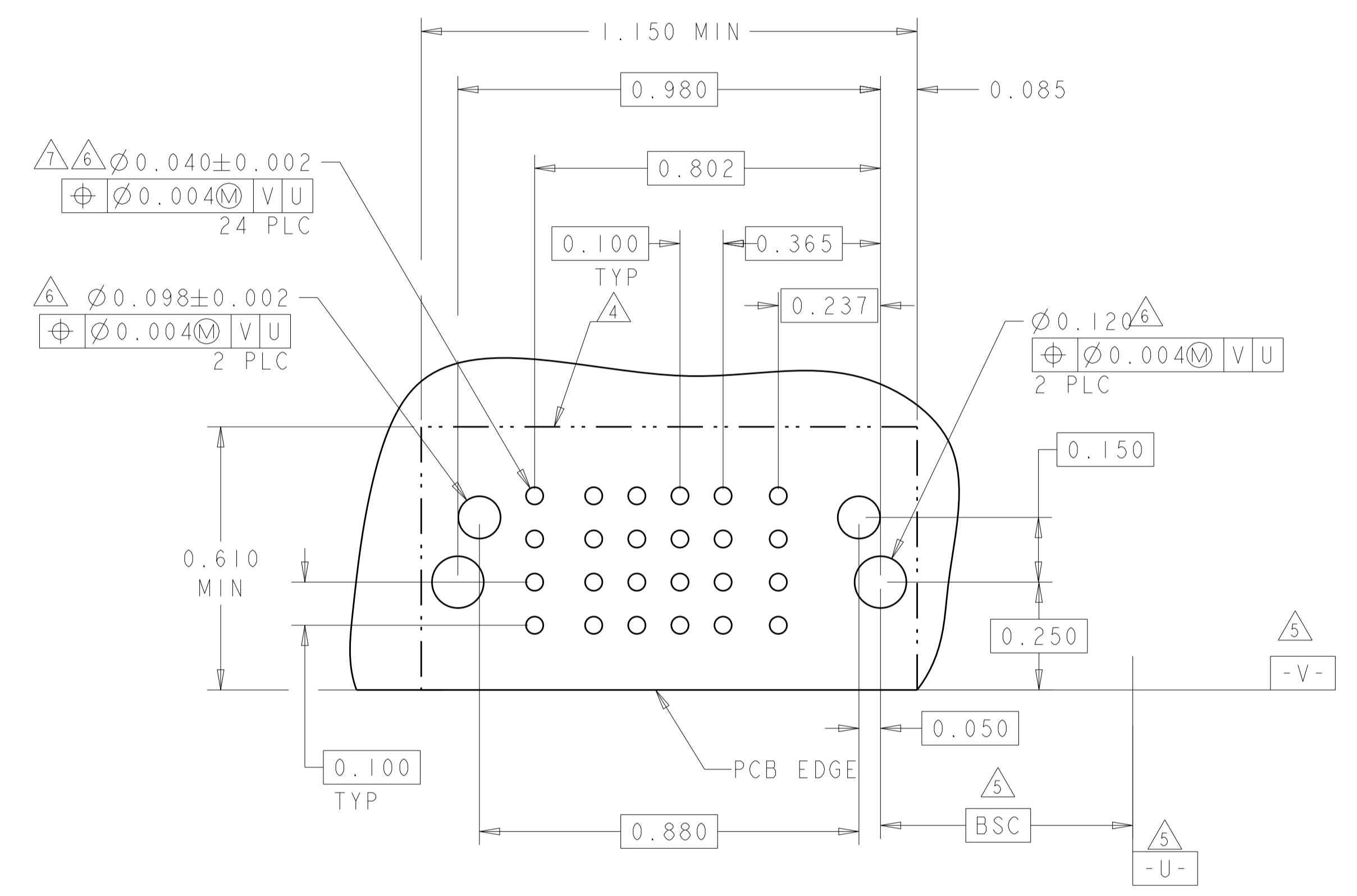
DWN: S. ZHAO	25MAY2007	 TE Connectivity
CHK: S. ZHAO	25MAY2007	
APPD: S. ZHAO	25MAY2007	
NAME: RIGHT ANGLE RECEPTACLE WITH LP CONTACT AND SHORT END MODULES MULTI-BEAM XLE		
DIMENSIONS: INCHES	TOLERANCES UNLESS OTHERWISE SPECIFIED:	PRODUCT SPEC: 108-2292 APPLICATION SPEC: 114-13251 WEIGHT: - SCALE: 4:1 SHEET 10 OF 13 REV F5
0 PLC ±.1 1 PLC ±.01 2 PLC ±.005 3 PLC ±.002 4 PLC ±.002 ANGLES ±.2°	MATERIAL: - FINISH: -	SIZE: A1 CAGE CODE: 6450880 CUSTOMER DRAWING

LOC		DIST		REVISIONS				
ES	00	P	LTH	DESCRIPTION	DATE	DNW	APVD	
-	-	-	-	SEE SHEET 1	-	-	-	

PART NUMBER	ROWS		POWER		SIGNAL				POWER		
			P2	P1	4	3	2	1	P1	P2	
2-6450880-0	D C B A	HD	LS		D C B A	D C B A	D C B A	D C B A	LS		HD
ILP + 16S + ILP											

PART NUMBER	ROWS		POWER		SIGNAL				POWER		
			P4	P3	4	3	2	1	P2	P1	
2-6450880-6	D C B A		RS	RS	D C B A	D C B A	D C B A	D C B A	RS	RS	
2P + 16S + 2P											

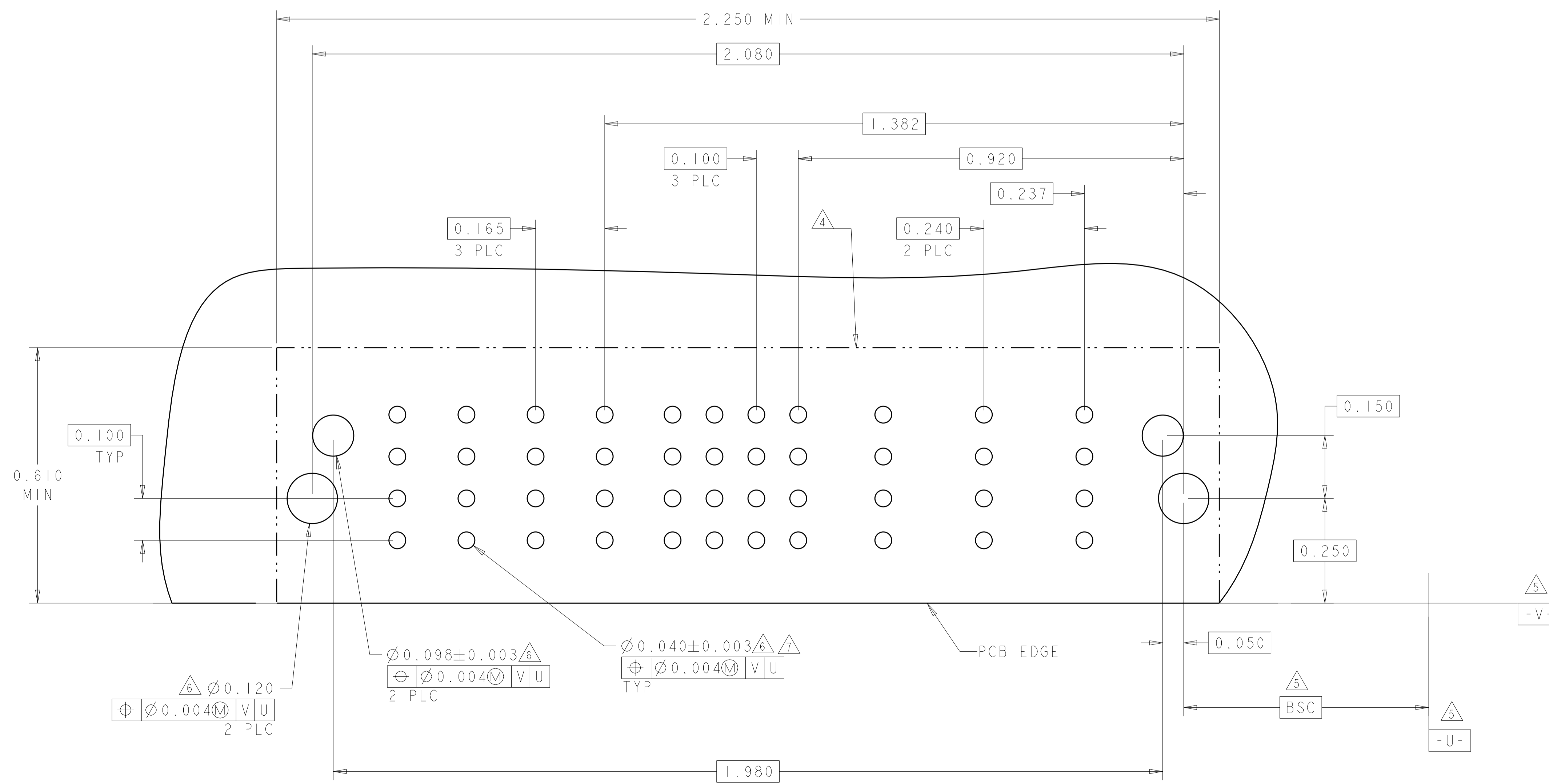
E7



THIS DRAWING IS A CONTROLLED DOCUMENT.		DNW S. ZHAO 25MAY2007	STE TE Connectivity
DIMENSIONS: INCHES		CHK S. ZHAO 25MAY2007	
TOLERANCES UNLESS OTHERWISE SPECIFIED:		APVD S. ZHAO 25MAY2007	NAME: RIGHT ANGLE RECEPTACLE WITH LP CONTACT AND SHORT END MODULES MULTI-BEAM XLE
0 PLC ±.1		PRODUCT SPEC 108-2292	
1 PLC ±.01		APPLICATION SPEC 114-13251	SIZE: A100779 C=6450880
2 PLC ±.005		WEIGHT	
3 PLC ±.0020		FINISH	SCALE: 4:1 SHEET 12 OF 13 REV F5
4 PLC ±.0020		CUSTOMER DRAWING	
ANGLES			
MATERIAL			

LOC	DIST	REVISIONS					
ES	00	P	LTH	DESCRIPTION	DATE	DWN	APVD
		-		SEE SHEET 1		-	-

PART NUMBER	ROWS	POWER				SIGNAL				POWER		
		LP7	LP6	LP5	LP4	4	3	2	1	LP3	LP2	LP1
2-6450880-7	D	LS	LS	LS	LS	D	D	D	D	LS	LS	LS
	C					C	C	C				
	B					B	B	B				
	A					A	A	A				
3LP + 16S + 4LP		HD										



THIS DRAWING IS A CONTROLLED DOCUMENT.		DWN: S. ZHAO 25MAY2007	STE TE Connectivity
DIMENSIONS: INCHES		CHK: S. ZHAO 25MAY2007	
TOLERANCES UNLESS OTHERWISE SPECIFIED:		APVD: S. ZHAO 25MAY2007	NAME: RIGHT ANGLE RECEPTACLE WITH LP CONTACT AND SHORT END MODULES MULTI-BEAM XLE
0 PLC ±.1		PRODUCT SPEC: 108-2292	SIZE: A1
1 PLC ±.01		APPLICATION SPEC: 114-13251	CAGE CODE: C=6450880
2 PLC ±.005		WEIGHT: -	RESTRICTED TO: -
3 PLC ±.002		FINISH: -	SCALE: 4:1
4 PLC ±.0020		CUSTOMER DRAWING	SHEET 13 OF 13
ANGLES: *2*			REV: F5

X-ON Electronics

Largest Supplier of Electrical and Electronic Components

Click to view similar products for [Power to the Board](#) category:

Click to view products by [TE Connectivity](#) manufacturer:

Other Similar products are found below :

[10131318-08512GRLF](#) [6450171-4](#) [6450552-7](#) [6600323-8](#) [6643429-1](#) [6646040-2](#) [6651939-1](#) [6766604-1](#) [120959-1](#) [1393557-2](#) [1393532-2](#)
[1393532-3](#) [1393532-4](#) [1393557-1](#) [1600812-5](#) [1-6450861-2](#) [1645595-1](#) [1743490-1](#) [1744132-7](#) [1761122-1](#) [1766169-1](#) [1766250-1](#) [18362](#)
[1892109-1](#) [1-967627-6](#) [2226808-1](#) [2-6450860-5](#) [2-6450860-6](#) [2-6450870-0](#) [93003-0502](#) [953552-1](#) [1-6450161-4](#) [1-6450850-6](#) [1645526-2](#) [1-](#)
[6600130-0](#) [1743419-1](#) [1766150-1](#) [2005243-2](#) [211110-1](#) [2-6600130-2](#) [TE34-12-16P-F0](#) [5-6450830-6](#) [5646956-4](#) [36662-0005](#) [40585-3000](#) [4-](#)
[6450830-9](#) [4-6600333-3](#) [51142-0214](#) [10134048-911LF](#) [10130248-005LF](#)