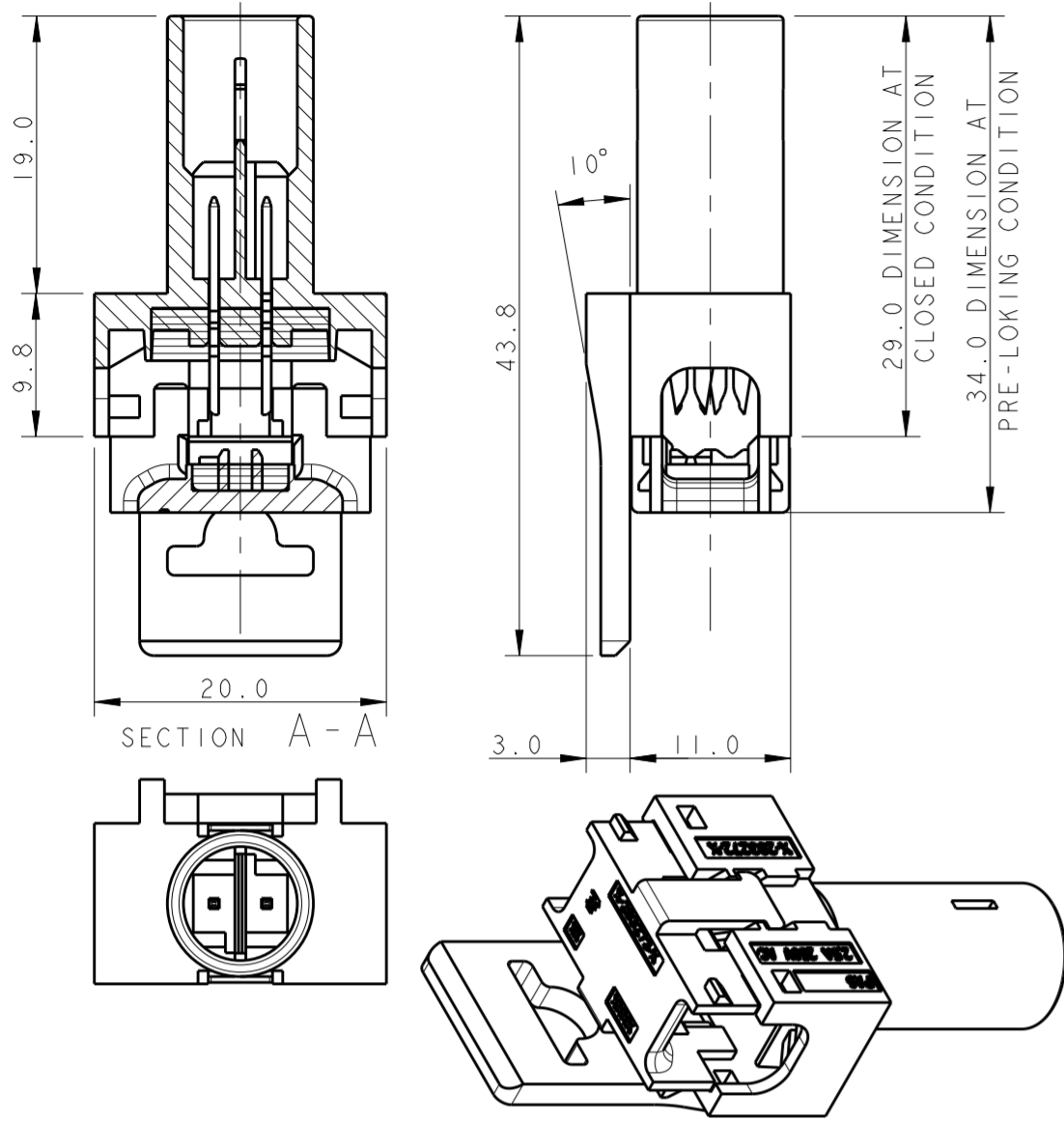
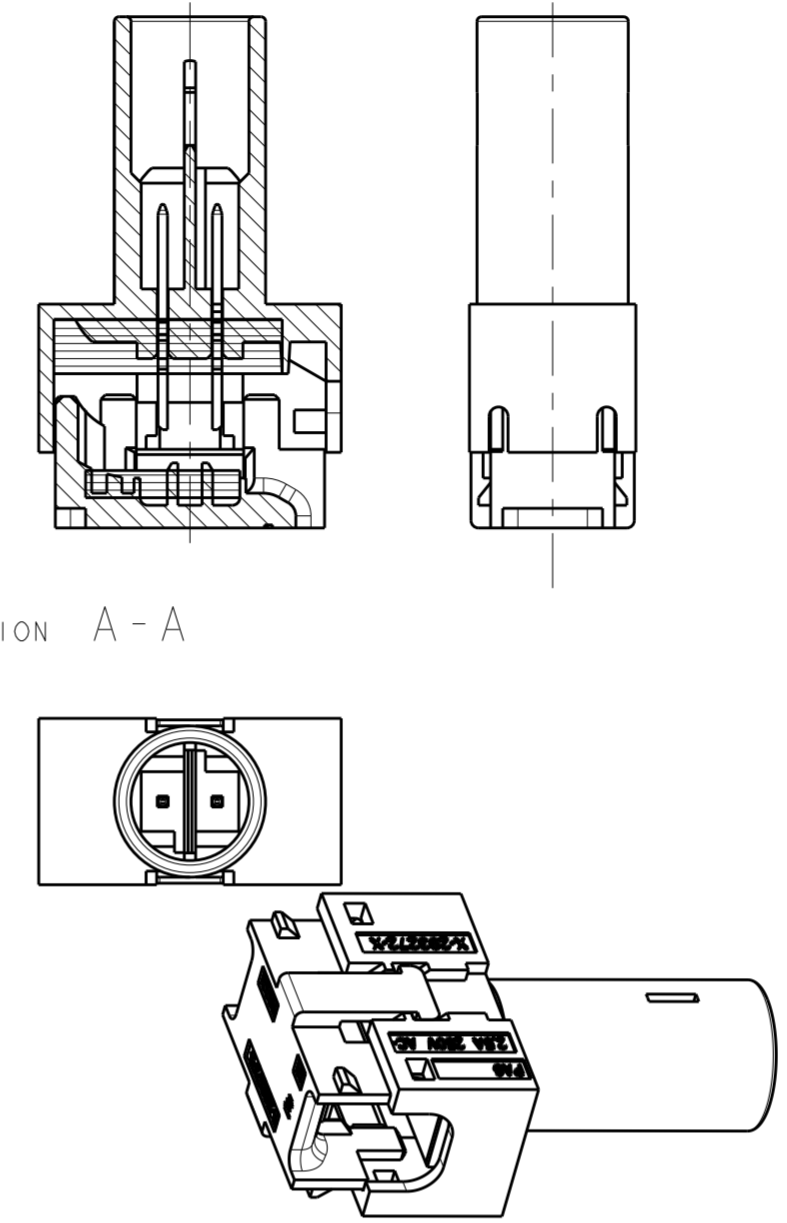
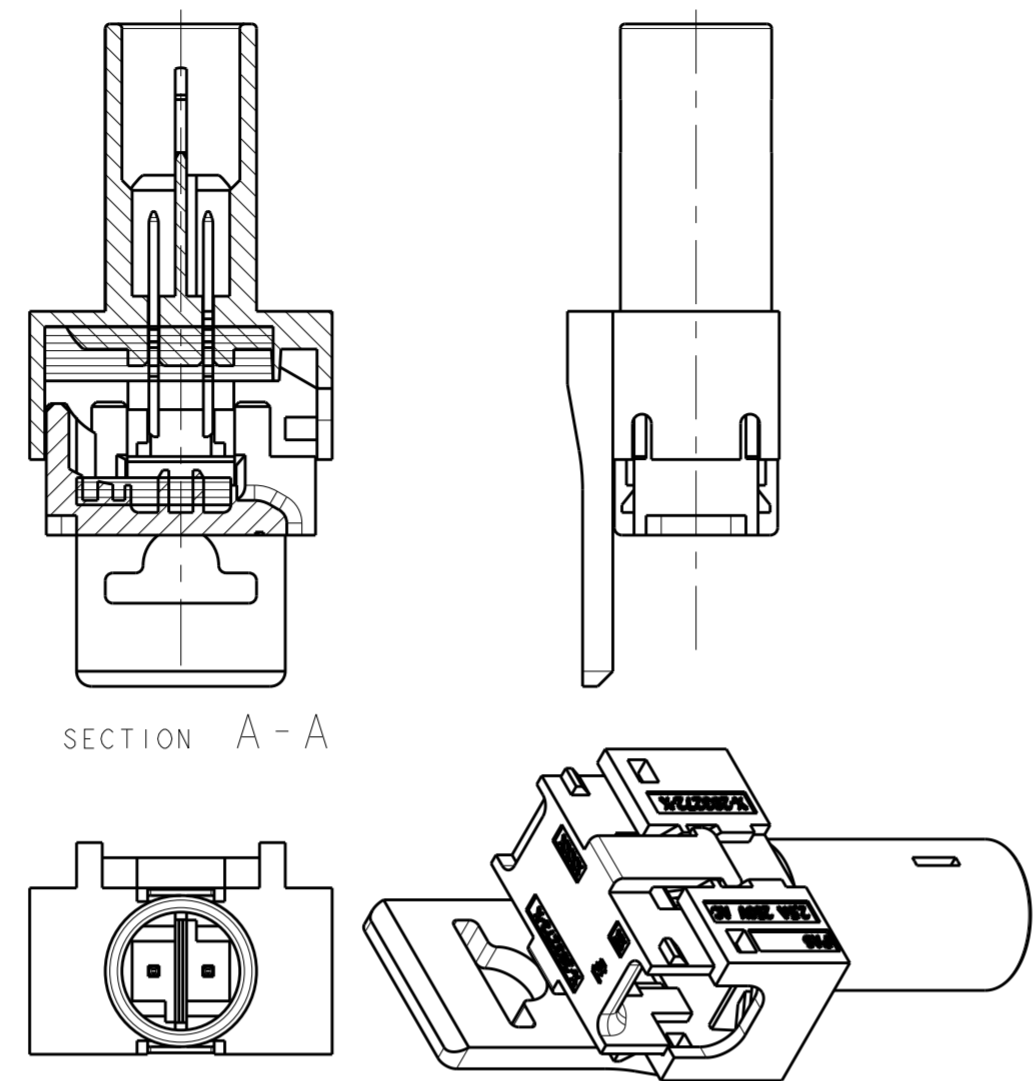


THIS DRAWING IS UNPUBLISHED. RELEASED FOR PUBLICATION 20
 © COPYRIGHT 20 BY - ALL RIGHTS RESERVED.

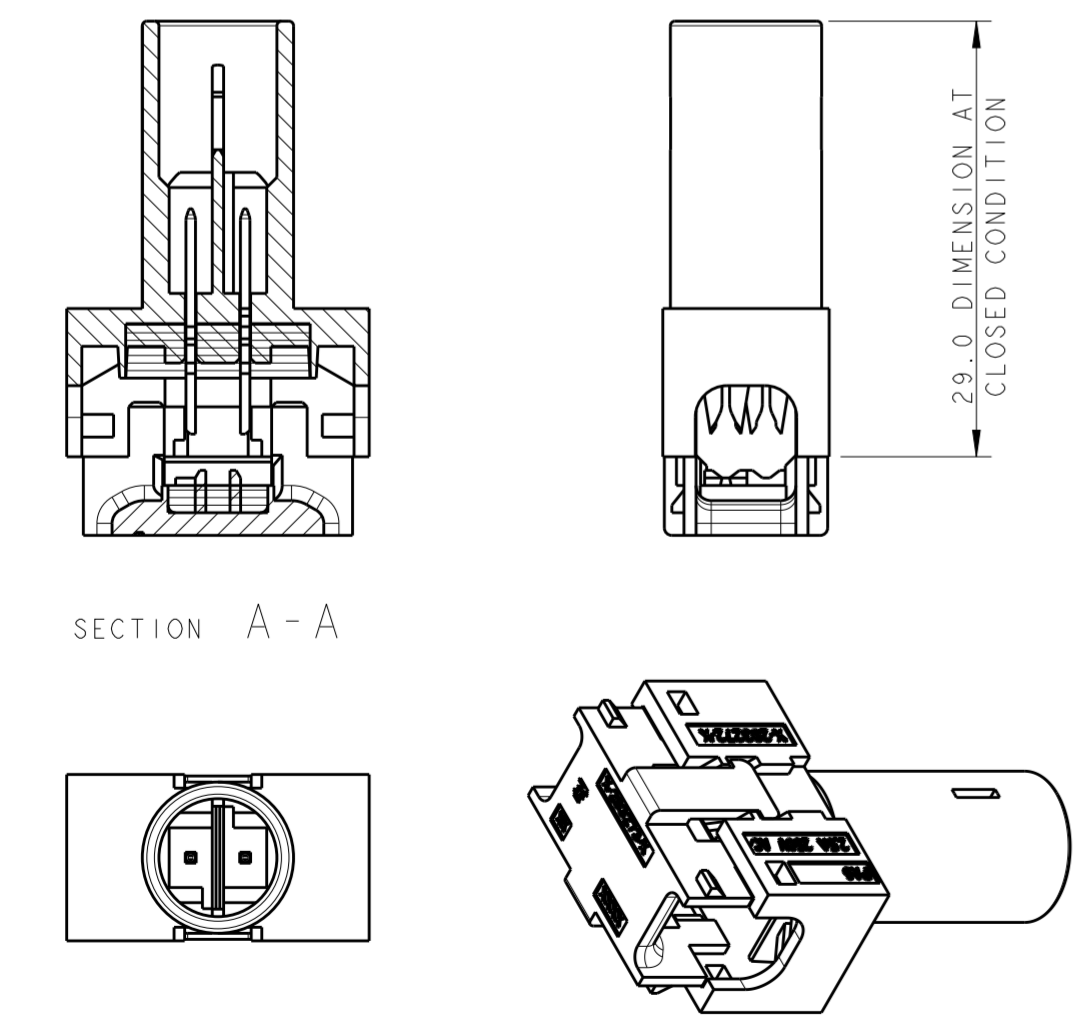
P/N 0-293270-1 AS SHOWN
 POLARIZATION KEY HV-1



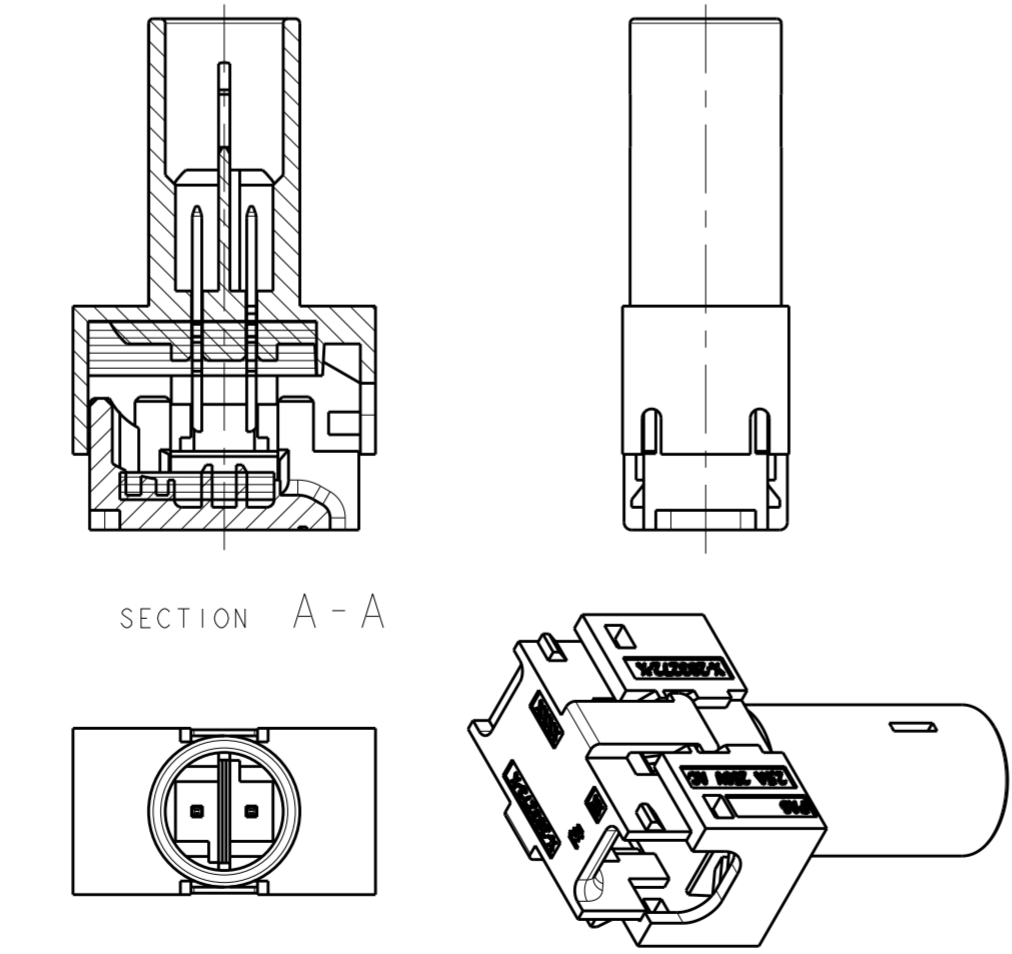
P/N 0-293270-2 AS SHOWN
 POLARIZATION KEY HV-1



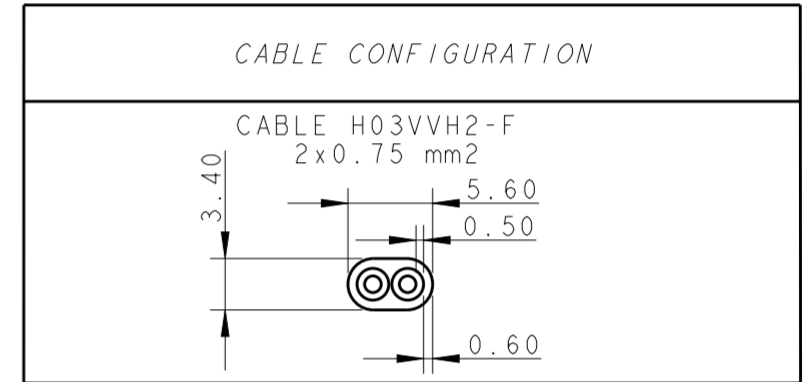
P/N 0-293270-3 AS SHOWN
 POLARIZATION KEY HV-1



P/N 0-293270-4 AS SHOWN
 POLARIZATION KEY HV-1



REVISIONS				
P	LTR	DESCRIPTION	DATE	APVD
S		REMOVED CABLE H05VVH2-F	22AUG2012	MZ JC
T		REVISED PER ECR-14-006605	21MAY2014	RS DD
V		ECR-14-018570	15DEC2014	KR JC
Y		REVISED PER ECR-17-008252	19JUN2017	RK JL



NOTES:
 CONTACTS BRASS PRE TINNED
 HOUSINGS POLYAMMIDE UL94 V0

NOTES	PART NUMBER	DESCRIPTION	POL. KEY	COLOR
	293270-9	END CONNECTOR WITHOUT FLANGE	HV-1	BLACK
	293270-8	END CONNECTOR WITHOUT FLANGE	LV-2	YELLOW
	293270-7	CONNECTOR WITHOUT FLANGE	LV-2	YELLOW
	293270-6	END CONNECTOR WITH FLANGE	LV-2	YELLOW
	293270-5	CONNECTOR WITH FLANGE	LV-2	YELLOW
	293270-4	END CONNECTOR WITHOUT FLANGE	HV-1	WHITE
	293270-3	CONNECTOR WITHOUT FLANGE	HV-1	WHITE
	293270-2	END CONNECTOR WITH FLANGE	HV-1	WHITE
	293270-1	CONNECTOR WITH FLANGE	HV-1	WHITE

MISSING DIMENSION SEE P/N 0-...-1

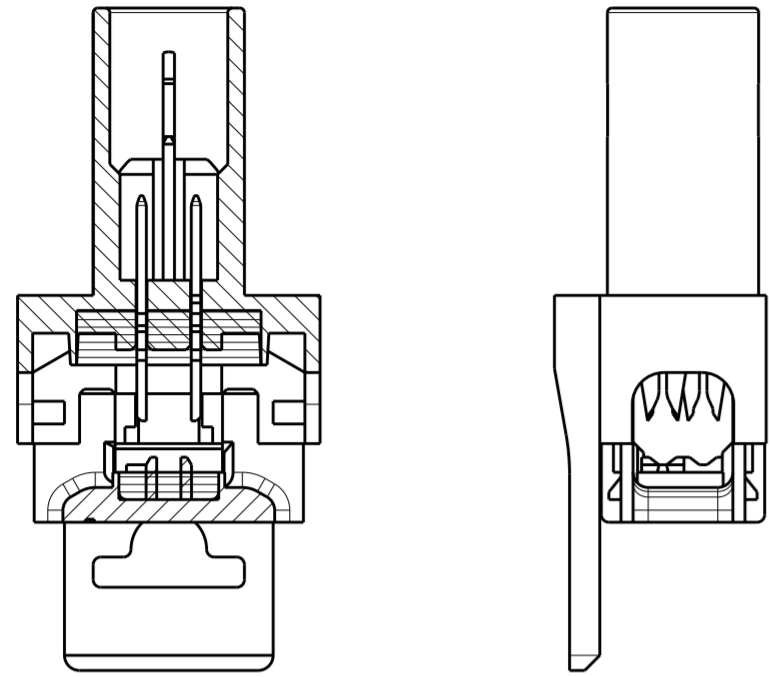
THIS DRAWING IS A CONTROLLED DOCUMENT.		DWN 18JAN2007 A. Vecchia	TE Connectivity NAME BUS BAR 2 POSITION SEALED
DIMENSIONS: mm		CHK 18JAN2007 G. Turco	
TOLERANCES UNLESS OTHERWISE SPECIFIED:		APVD 24MAY2007 G. Turco	
0 PLC ± 1 PLC ±0.3 2 PLC ±0.05 3 PLC ± 4 PLC ± ANGLES ± FINISH ±		PRODUCT SPEC 108-94018 APPLICATION SPEC 114-20131 WEIGHT - CUSTOMER DRAWING	
SIZE CAGE CODE DRAWING NO RESTRICTED TO A200779 C-293270 - -			SCALE 2:1 SHEET 1 OF 2 REV Y

THIS DRAWING IS UNPUBLISHED. RELEASED FOR PUBLICATION 20
 © COPYRIGHT 20 BY - ALL RIGHTS RESERVED.

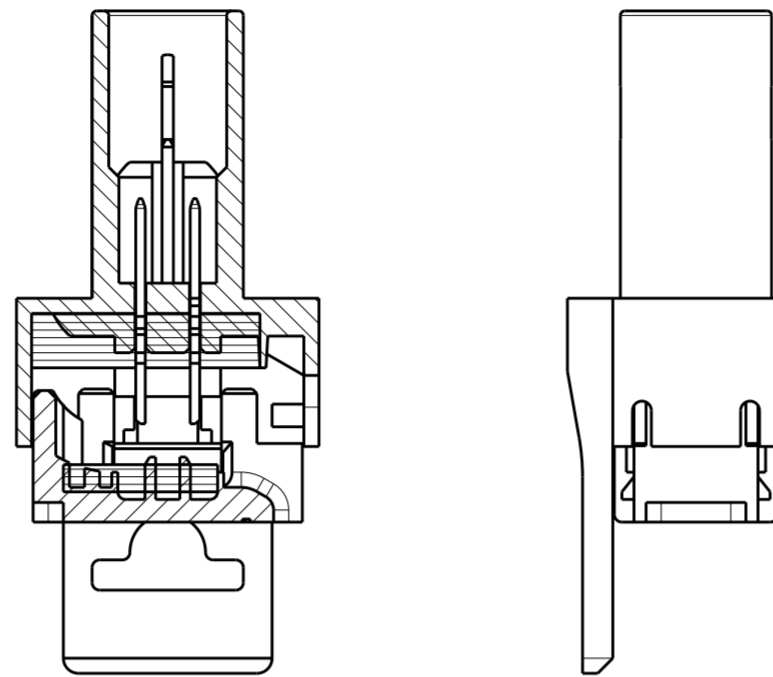
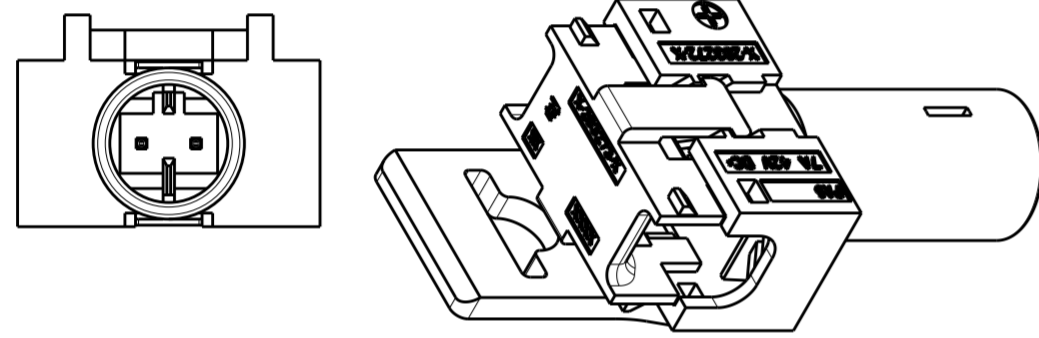
REVISIONS				
P	LTR	DESCRIPTION	DATE	APVD
-	-	SEE SHEET 1	-	-

P/N 0-293270-5 AS SHOWN
 POLARIZATION KEY LV-2

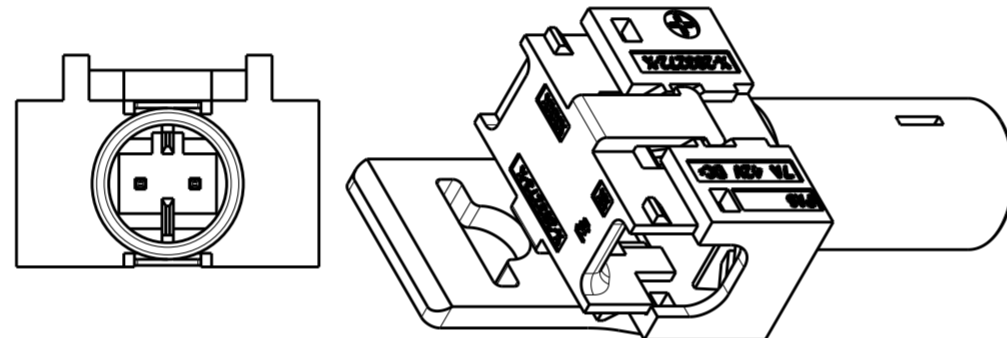
P/N 0-293270-6 AS SHOWN
 POLARIZATION KEY LV-2



SECTION A - A

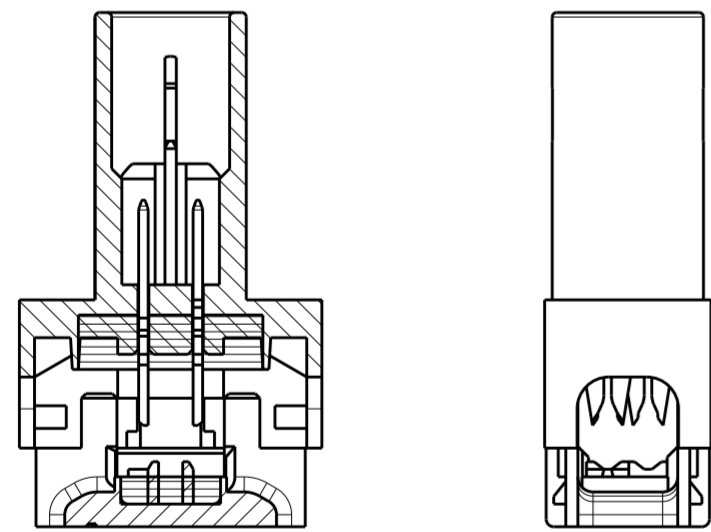


SECTION A - A

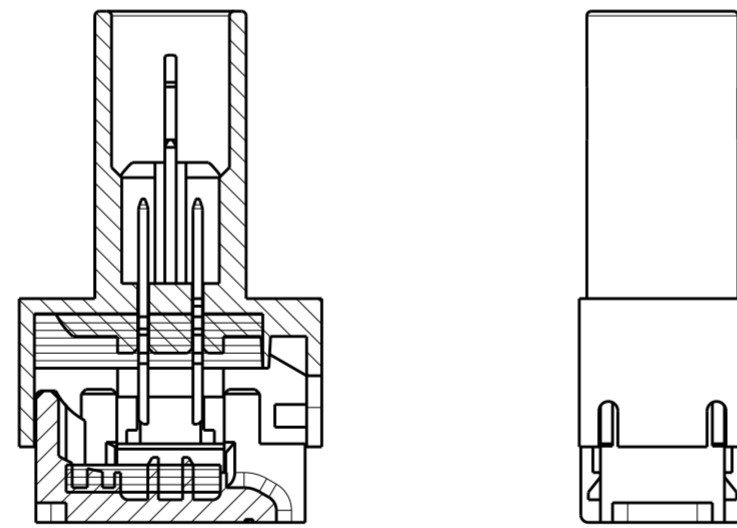
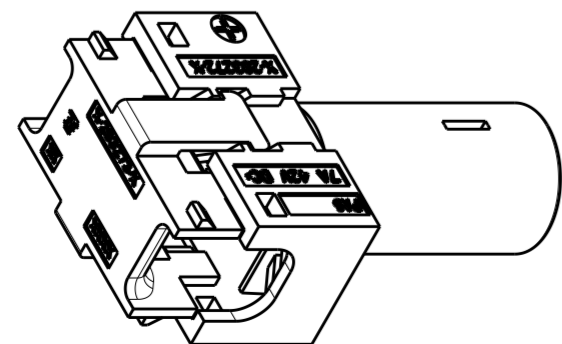
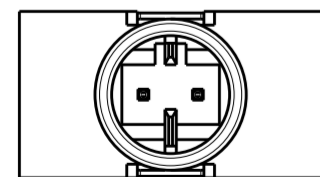


P/N 0-293270-7 AS SHOWN
 POLARIZATION KEY LV-2

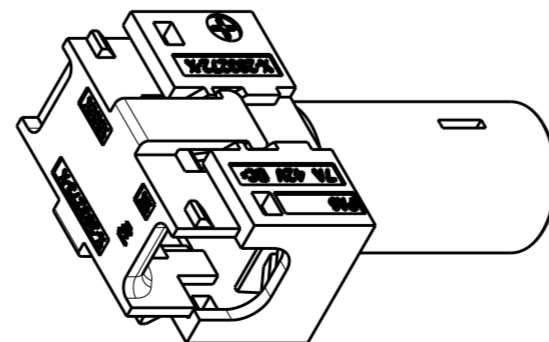
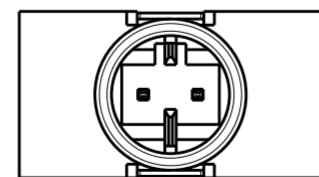
P/N 0-293270-8 AS SHOWN
 POLARIZATION KEY LV-2




SECTION A - A



SECTION A - A



THIS DRAWING IS A CONTROLLED DOCUMENT.		DWN 18JAN2007 A. Vecchia	 TE Connectivity	
DIMENSIONS: mm		CHK 18JAN2007 G. Turco		
TOLERANCES UNLESS OTHERWISE SPECIFIED:		APVD 24MAY2007 G. Turco	PRODUCT SPEC 108-94018	RESTRICTED TO
0 PLC ±		APPLICATION SPEC 114-20131	SIZE CAGE CODE DRAWING NO	-
1 PLC ±0.3		WEIGHT -	A20779C-293270	
2 PLC ±0.05		CUSTOMER DRAWING	SCALE 5:1 SHEET 2 OF 2 REV Y	
3 PLC ±				
4 PLC ±				
ANGLES ±				
FINISH				

X-ON Electronics

Largest Supplier of Electrical and Electronic Components

Click to view similar products for [Lighting Connectors](#) category:

Click to view products by [TE Connectivity](#) manufacturer:

Other Similar products are found below :

[21061-9](#) [293300-7](#) [2106117-2](#) [293660-5](#) [293700-2](#) [CNX_H03_NTP](#) [30-9767-BU](#) [3-21030-1](#) [ZCH-110-RGB-I](#) [503471-0290](#) [ES5P09K4F2](#)
[CNXH02NTP](#) [ZCH-110-RGB-J](#) [217-0716-200](#) [192992-0057](#) [1954563-1](#) [217-3030-000](#) [217-3032-000](#) [237-0734-003](#) [DTS24W25-20PN-LC](#)
[1-2213614-2](#) [2834049-3](#) [ES9S002SZZ](#) [2834049-2](#) [2-2834067-3](#) [1-293657-2](#) [2834049-1](#) [293699-2](#) [293701-3](#) [1-2213614-3](#) [2834036-1](#)
[2834037-1](#) [2213614-3](#) [2307526-2](#) [2-2106124-3](#) [2-2834068-3](#) [FLS2SC4001BP](#) [FLSC80352000](#) [FLSC80354000](#) [FLSC80353000](#) [FLSSB8002](#)
[FLSSB8001](#) [FLSC80351000](#) [FLSC80355000](#) [FLSSB4001](#) [FLSC80504000](#) [FLSC80502000](#) [FLSC80501000](#) [FLSSR4001](#) [FLSC80505000](#)