



## Z-Type Markers

Z-Type markers are individual push-on markers used to identify wires and small cables permanently. The markers are manufactured using PVC and designed with an expanding profile, enabling each marker to accommodate a wide range of wire/cable sizes.

Z-Type markers are a simple, cost-effective solution for many commercial wire identification applications. The markers are supplied either straight cut or chevron cut. The chevron cut option ensures the markers remain aligned. Standard Z-Type markers are yellow or white with black legends and can be supplied as loose pieces packed in boxes, or on reels. Color coded markers are also available. Suitable for industrial applications.

### KEY FEATURES

- Self-extinguishing.
- Resistant to key Industrial fluids, including those used in Mass transit, Aviation and Military (defined by RW-2535).
- Nine sizes covering wire diameters from 1.5mm to 12.7mm (0.06 inches to 0.5 inches).

### APPLICATIONS

- Pre-termination cable identification.
- Identification of small wires and cables.
- Applicator wands available for easy marker installation.
- Electrical and Electronic Equipment, Industrial

### PART DESCRIPTION



### TEMPERATURE RATING

Operating Temperature Range -45°C to 70°C (-40°F to 158°F)

### ENVIRONMENTAL

Information and a downloadable declaration covering RoHS and REACH compliance can be found at the 'TE Product Compliance Support Centre':

<http://www.te.com/en/resources/product-compliance.html>

### SPECIFICATIONS / APPROVALS

#### TE Connectivity Standard

- RW-2535

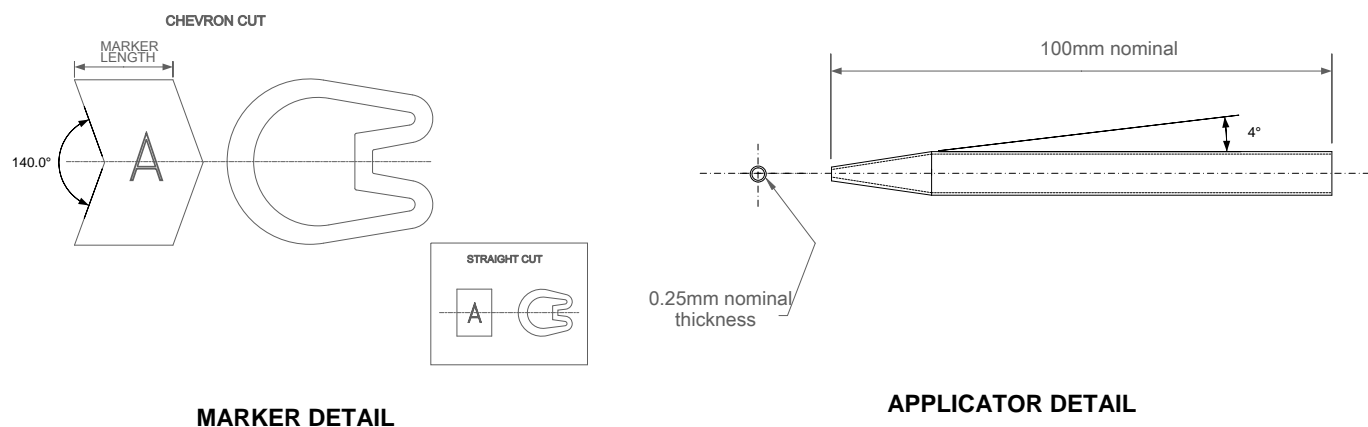
#### Industrial

- BS 6746C:1993 Colour chart for insulation and sheath of electric cables
- IEC 60304 Standard Colours for Insulation for Low Frequency Cables and Wires

Where possible, TE have tested product as a finished item, including the print. Operational tests are followed by an assessment of mark adherence to validate fit form and function. Further details can be found in TE standard RW-2535.

## Z-Type Markers

### AVAILABLE FORMATS



### ORDERING INFORMATION

| Order Code<br>Straight cut | Order Code<br>Chevron cut | Marker<br>size | Recommended cable<br>diameter |             | Marker length |        | Applicator<br>size code | Pack<br>Quantity | Applicator order<br>code |
|----------------------------|---------------------------|----------------|-------------------------------|-------------|---------------|--------|-------------------------|------------------|--------------------------|
|                            |                           |                | mm                            | inches      | mm            | inches |                         |                  |                          |
| 0580                       | 1151                      | 5              | 1.5 – 2.0                     | 0.06 – 0.08 | 4.5           | 0.177  | -                       | 1000             | -                        |
| 0581                       | 1152                      | 7              | 2.0 – 3.2                     | 0.08 – 0.13 | 4.5           | 0.177  | 1                       | 1000             | 12510000                 |
| 0615                       | 1153                      | 9              | 2.5 – 4.0                     | 0.10 – 0.16 | 4.5           | 0.177  | 2                       | 1000             | 12520000                 |
| 0616                       | 1154                      | 11             | 2.9 – 4.7                     | 0.11 – 0.19 | 4.5           | 0.177  | 3                       | 1000             | 12530000                 |
| 0617                       | 1155                      | 13             | 3.4 – 5.7                     | 0.13 – 0.22 | 4.5           | 0.177  | 4                       | 1000             | 12540000                 |
| 0618                       | 1156                      | 15             | 3.8 – 6.3                     | 0.15 – 0.25 | 4.5           | 0.177  | 5                       | 1000             | 12550000                 |
| 0620                       | 1157                      | 18             | 4.3 – 6.9                     | 0.17 – 0.27 | 4.5           | 0.177  | 6                       | 500              | 12560000                 |
| 0622                       | 1158                      | 23             | 5.5 – 8.9                     | 0.22 – 0.35 | 6.0           | 0.236  | -                       | 500              | -                        |
| 0624                       | 1159                      | 35             | 7.9 – 12.7                    | 0.31 – 0.50 | 6.0           | 0.236  | -                       | 250              | -                        |

### PACKAGING CODE

|   |     |   |      |
|---|-----|---|------|
| 1 | Box | 3 | Reel |
|---|-----|---|------|

### PACKAGING OPTIONS (CHEVRON AND STRAIGHT CUT)

|                                 |              |
|---------------------------------|--------------|
| White marker with black legend  | Boxes, reels |
| Yellow marker with black legend | Reels        |
| Color coded                     | Boxes        |

### COLOR CODE

| Code | Marker color | Ink color | Code | Marker color | Ink color | Code | Marker color | Ink color |
|------|--------------|-----------|------|--------------|-----------|------|--------------|-----------|
| 0    | Black        | White     | 4    | Yellow       | Black     | 8    | Grey         | Black     |
| 1    | Brown        | White     | 5    | Green        | Black     | 9    | White        | Black     |
| 2    | Red          | Black     | 6    | Blue         | Black     |      |              |           |
| 3    | Orange       | Black     | 7    | Violet       | Black     |      |              |           |

## Z-Type Markers

### LEGEND CODE

| Legend | Code | Legend | Code | Legend | Code |
|--------|------|--------|------|--------|------|
| 0      | 00   | J      | 19   | /      | 38   |
| 1      | 01   | K      | 20   | ~      | 39   |
| 2      | 02   | L      | 21   | Earth  | 40   |
| 3      | 03   | M      | 22   | )      | 41   |
| 4      | 04   | N      | 23   | Blank  | 42   |
| 5      | 05   | O      | 24   | :      | 43   |
| 6      | 06   | P      | 25   | ,      | 44   |
| 7      | 07   | Q      | 26   | <      | 45   |
| 8      | 08   | R      | 27   | >      | 46   |
| 9      | 09   | S      | 28   | =      | 47   |
| A      | 10   | T      | 29   | .      | 48   |
| B      | 11   | U      | 30   |        |      |
| C      | 12   | V      | 31   |        |      |
| D      | 13   | W      | 32   |        |      |
| E      | 14   | X      | 33   |        |      |
| F      | 15   | Y      | 34   |        |      |
| G      | 16   | Z      | 35   |        |      |
| H      | 17   | +      | 36   |        |      |
| I      | 18   | -      | 37   |        |      |

Order example 06161400: Z-type marker, size 11, yellow, black mark, character O, boxed

*While TE has made every reasonable effort to ensure the accuracy of the information in this document, TE does not guarantee that it is error-free, nor does TE make any other representation, warranty or guarantee that the information is accurate, correct, reliable or current. TE reserves the right to make any adjustments to the information contained herein at any time without notice. TE expressly disclaims all implied warranties regarding the information contained herein, including, but not limited to, any implied warranties of merchantability or fitness for a particular purpose. The dimensions in this document are for reference purposes only and are subject to change without notice. Specifications are subject to change without notice. Consult TE for the latest dimensions and design specifications.*

\*Trademark. TE Connectivity, TE connectivity (logo), and TE (logo) are trademarks. Other logos, product and/or company names may be trademarks of their respective owners.

## X-ON Electronics

Largest Supplier of Electrical and Electronic Components

*Click to view similar products for [Wire Identification](#) category:*

*Click to view products by [TE Connectivity](#) manufacturer:*

Other Similar products are found below :

[CU6337-000](#) [CU6342-000](#) [FCA-410-12](#) [11631010](#) [1-1768037-1](#) [1-1768037-2](#) [1-1768050-0](#) [PXLK-VI](#) [Q62184-1](#) [A64304-000](#) [QMT221](#)  
[HK032WE1NF038B](#) [1330-0519-10](#) [1395199-1](#) [1395200-1](#) [1395202-1](#) [DMVF050WE-300S6](#) [D-SCE-1K-2.4-50-4-CS7834](#) [1538738-1](#)  
[E90935-000](#) [EC1238-000](#) [EC1465-000](#) [EC1855-000](#) [EC1859-000](#) [EC1863-000](#) [EC5415-000](#) [EC7277-000](#) [EC7352-000](#) [EC7603-000](#)  
[EC7707-000](#) [EC7735-000](#) [EC7768-000](#) [EC7828-000](#) [EC7854-000](#) [EC7952-000](#) [EC8128-000](#) [1768037-8](#) [1768041-7](#) [NC-127191-10-9](#)  
[HS048WE2NF038B](#) [C03232-000](#) [HTCM-SCE-14-4H-9](#) [HTMS-3/16-9](#) [HT-SCE-1/4-2.0-4](#) [HT-SCE-3/16-2.0-4](#) [HTTMS-1/2-1.50-9](#) [HTTMS-](#)  
[CM-1/2-4H-9](#) [HX-SCE-19.0-50-9](#) [HX-SCE-6.4-50-4](#) [C25254-000](#)