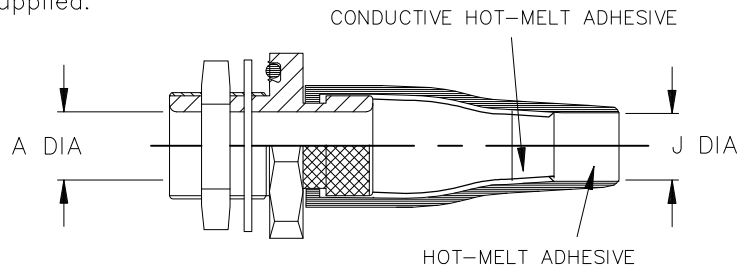


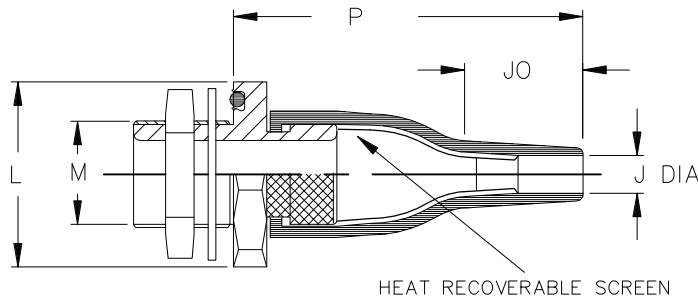
REVISIONS

| P | LTR | DESCRIPTION | DATE | DWN | APVD |
|---|-----|-------------------------------|-----------|-----|------|
| | 4 | RELEASED AS PER ECO-17-009529 | 03JUL2017 | PV | MP |

a) Part as supplied.

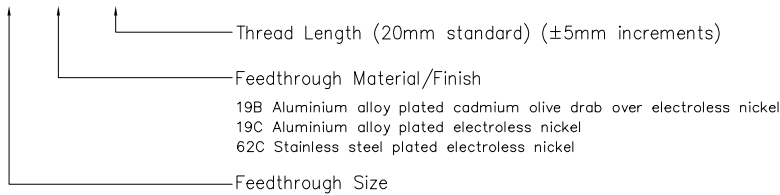


b) Part after unrestricted recovery.



NOTES:

TCFR-XX-XXX-OXX-100CH



Moulded Part Material: -100C (Black); Polyolefin/Silver Composites, Semi-flexible ZEROHAL™ Low fire hazard

Kits to include cleaning tissue, 1 piece 100 grit emery cloth & packing piece.
Kit to be used in conjunction with TCFS installation procedure.

Dimensions in mm [inches for reference]

| Part No. | A MIN | J | | M THREAD | A/F NUT | L NOM | P ±10% b | JO REF b |
|----------|-------------|-------------|------------|-------------|------------|-----------|----------------|----------------|
| | | MIN a | MAX b | | | | | |
| TCFR-12 | 7.4 [.29] | 7.0 [.28] | 5.0 [.20] | M12 X 1.5 | 17 [.67] | 24 [.94] | 50 [1.97] | 15 [.59] |
| TCFR-16 | 10.1 [.40] | 9.0 [.35] | 6.0 [.24] | M16 X 1.5 | 22 [.87] | 29 [1.14] | 52 [2.05] | 17 [.67] |
| TCFR-20 | 14.1 [.56] | 11.0 [.43] | 7.2 [.28] | M20 X 1.5 | 27 [1.06] | 34 [1.34] | 60 [2.36] | 20 [.79] |
| TCFR-24 | 19.1 [.75] | 17.0 [.67] | 8.5 [.33] | M24 X 1.5 | 30 [1.18] | 38 [1.50] | 74 [2.91] | 25 [.98] |
| TCFR-30 | 24.1 [.95] | 21.0 [.83] | 10.0 [.39] | M30 X 1.5 | 36 [1.42] | 47 [1.85] | 85 [3.35] | 30 [1.18] |
| TCFR-36 | 30.1 [1.19] | 29.0 [1.14] | 15.8 [.62] | M36 X 1.5 | 41 [1.61] | 52 [2.05] | 95 [3.74] | 30 [1.18] |
| TCFR-48 | 40.1 [1.58] | 36.0 [1.42] | 16.8 [.66] | M48 X 1.5 | 55 [2.17] | 67 [2.64] | 112 [4.41] | 38 [1.50] |

RELEASED FOR PUBLICATION

ALL RIGHTS RESERVED.

COPYRIGHT 2016 By TE Connectivity

THIS DRAWING IS UNPUBLISHED.

| | | | | | | |
|--|------------------|---------------|----------|-----------|--------|-----------------------|
| DIMENSIONS: mm [INCHES] | DWN P. VU | 17OCT2016 | MATERIAL | SEE NOTES | FINISH | SEE NOTES |
| | CHK N. NAGAR | 17OCT2016 | | | | |
| TOLERANCES UNLESS OTHERWISE SPECIFIED: | APVD M. POPE | 17OCT2016 | | | | |
| 0 PLC ± - | PRODUCT SPEC | NAME | | | | ADAPTOR ASSEMBLY |
| 1 PLC ± - | — | SIZE | | | | A4 |
| 2 PLC ± - | APPLICATION SPEC | CAGE CODE | | | | 00779 |
| 3 PLC ± - | — | DRAWING NO | | | | TCFR-XX-XXX-OXX-100CH |
| 4 PLC ± - | — | RESTRICTED TO | | | | — |
| ANGLES ± - | WEIGHT | SCALE | | | | DNS |
| | | SHEET | | | | 1 OF 1 |
| CUSTOMER DRAWING | | REV | | | | 4 |

X-ON Electronics

Largest Supplier of Electrical and Electronic Components

Click to view similar products for [Heat Shrink Tubing and Sleeves](#) category:

Click to view products by [TE Connectivity](#) manufacturer:

Other Similar products are found below :

[770-006S102](#) [5685710001](#) [CR8248-000](#) [CR9960-000](#) [603312-4](#) [607381P039](#) [611112-000](#) [617867N001](#) [6500750004](#) [CZ1420-000](#) [D-306-38](#)
[770-007A303](#) [770-010Y106W1](#) [770-010Y706W1](#) [7771210001](#) [MFP-1/4"-Clear](#) [MFP-3/64"-Clear](#) [790-3012](#) [MFT-MT2000-NO.14-0-SP](#)
[MHHT-4-15K2-G-104](#) [MIL-LT-1-1/2-4-SP](#) [MIL-LT-1-1/2-9-STK](#) [MIL-LT-1/2-2-STK](#) [MIL-LT-3-0-SP](#) [MIL-LT-3/32-0-SP](#) [MIL-LT-3/32-6-SP](#) [MIL-LT-3/4-6-SP](#) [MIL-LT-3/8-0-SP](#) [8159270001](#) [839602-000](#) [8423-6](#) [FP301-116-6"-Black](#) [FP301-1/2-48"-Black](#) [FP301-12-48"-Black-Hdr](#) [FP301-1/4-48"-Black](#) [FP301-1/4-48"-White-Hdr](#) [FP301-1-6"-Clear](#) [FP301-18-48"-Black-Hdr](#) [FP301-1/8-6"-Black](#) [FP301-18-6"-Black-Bulk](#) [FP301-316-48"-Blue-Hdr](#) [FP301-316-6"-Clear](#) [FP301-332-6"-Black](#) [912229N002](#) [120-126-16BL](#) [121-001-09](#) [121-018-32](#) [121-018-40](#)
[121-123-1-1-32BTC](#) [121-123-1-1-40BTC](#)