

Panel Potentiometer

Model P260 / P261 Series



Features:

- 12.7 mm (1/2") square rotary
- Sealed / dust proof
- 1,000,000 cycle life
- Rotary switch option
- Detent and wire lead options
- Multiple gangs available



Model Styles Available

Side Adjust, PCB Leads, Potentiometer Module (Up to 6 gangs)	P260P
Side Adjust, PCB Leads, with Rotary Switch Module (Up to 5 gangs)	P260S
Side Adjust, PCB Leads, with Detent Module (Up to 6 gangs)	P260D
Top Adjust, PCB Leads, Potentiometer Module (Up to 2 gangs)	P260T
Potentiometer Module with Wire Leads (Up to 6 gangs)	P260L
Potentiometer Module with Ribbon Cable (Up to 6 gangs)	P260R
Side Adjust, Solder Lug Leads, Potentiometer Module (Up to 6 gangs)	P261P
Side Adjust, Solder Lug Leads, with Rotary Switch Module (Up to 5 gangs)	P261S
Side Adjust, Solder Lug Leads, with Detent Module (Up to 6 gangs)	P261D

Electrical

Resistance Range, Ohms	500 -1M (for "B" taper) 2K-1M (for other tapers)
Standard Resistance Tolerance	± 10%
Residual Resistance, Maximum	2 ohms
Input Voltage, Maximum	350 Vac
Power rating, Watts	0.5W- B taper, 0.25W- others
Dielectric Strength	1,500Vac, sea level
Insulation Resistance, Minimum	1,000 Megohms
Gang Error (Multi-ganged), Maximum	+/-3 dB (-40 dB to 0dB)
Actual Electrical Travel, Nominal	265°
Switch Contact Resistance, Maximum	150 milliohms max.
Switch Power Rated	0.5A at 30Vdc

General Note

TT Electronics reserves the right to make changes in product specification without notice or liability. All information is subject to TT Electronics' own data and is considered accurate at time of going to print.

TT Electronics | BI Technologies

Circulo de la Amistad #102 PIMSA IV Mexicali B.C. Mexico C.P 21210

Ph: +1 714 447 2345

www.ttelectronics.com/bi-technologies

Mechanical

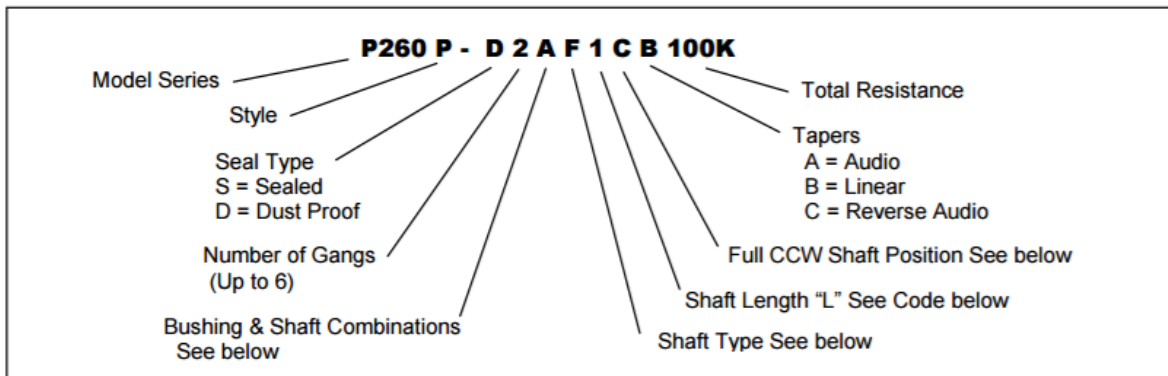
Total Mechanical Travel	295°± 10°
Static Stop Strength	40 oz-in
Rotational Torque, Maximum	1.5 oz-in (0.5 oz-in each additional gang)
Switch Detent, Minimum	2.0 oz-in

Environmental

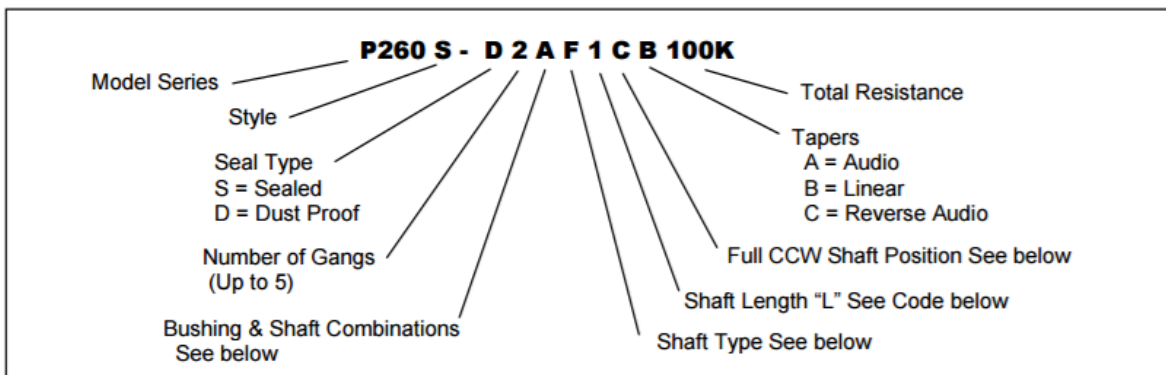
Operating Temperature Range	-55°C to +125°C
Rotational Life	1,000,000 cycles
IP Rating	Sealed = IP66 Dust Proof = IP50

Ordering

P260P/P261P – POTENTIOMETER MODULE



P260S/P261S – WITH ROTARY SWITCH MODULE

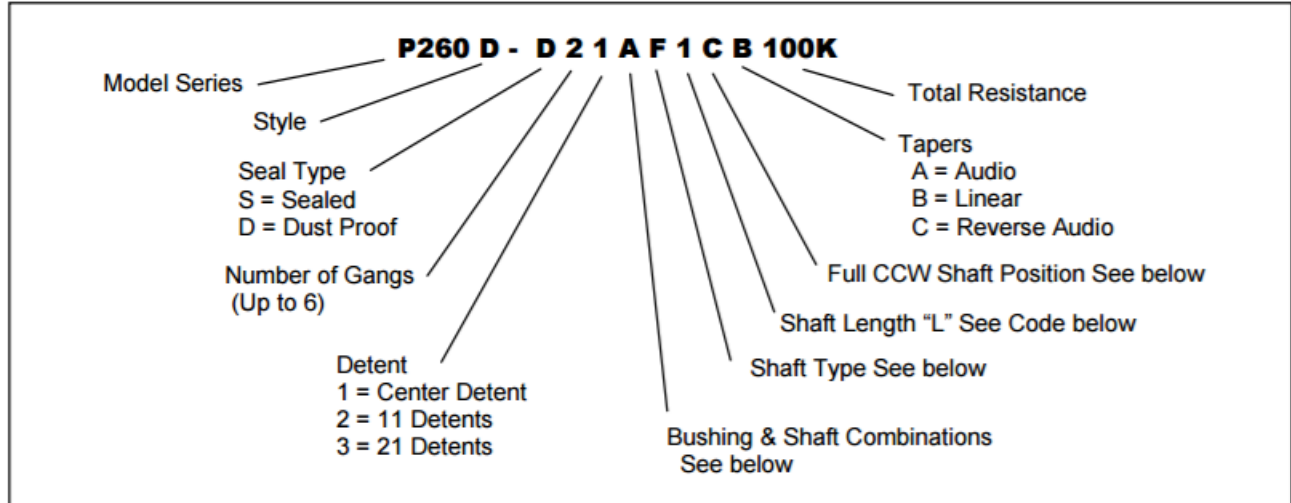


Panel Potentiometer

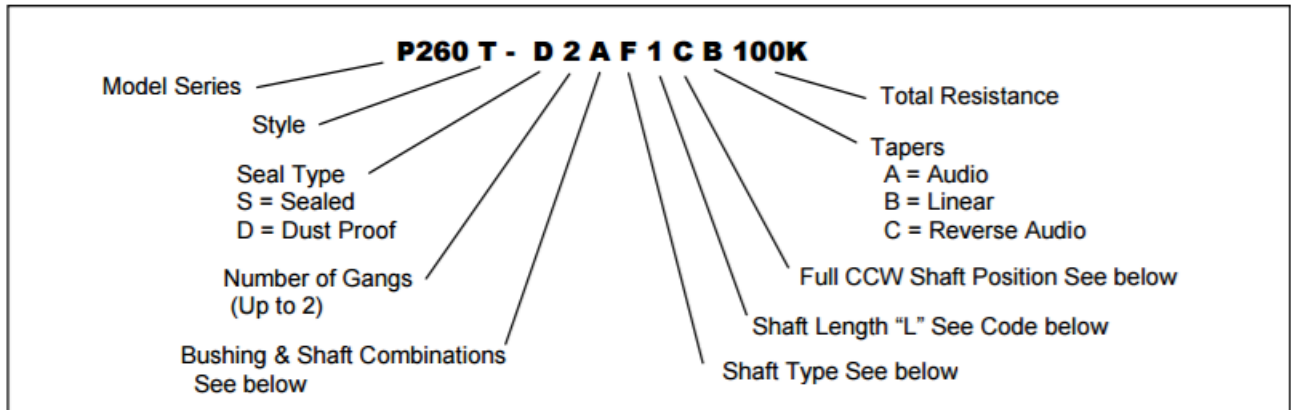
Model P260 / P261 Series



P260D/P261D – WITH DETENT MODULE



P260T – TOP ADJUST, POTENTIOMETER MODULE



Bushing & Shaft Combinations

CODE	BUSHING SIZE	BUSHING LENGTH "M"	SHAFT Ø
A	6.35mm (1/4")	6.35mm (1/4")	3.2mm (1/8")
B	9.5mm (3/8")	9.5mm (3/8")	6.35mm (1/4")

General Note
 TT Electronics reserves the right to make changes in product specification without notice or liability. All information is subject to TT Electronics' own data and is considered accurate at time of going to print.

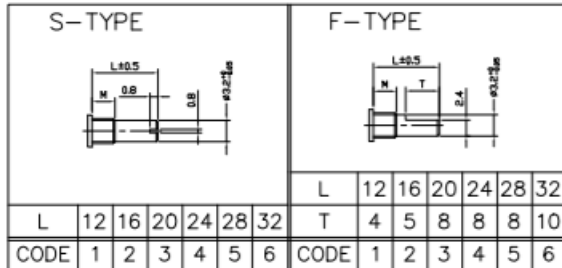
TT Electronics | BI Technologies
 Circulo de la Amistad #102 PIMSA IV Mexicali B.C. Mexico C.P 21210
 Ph: +1 714 447 2345
www.ttelectronics.com/bi-technologies

Panel Potentiometer

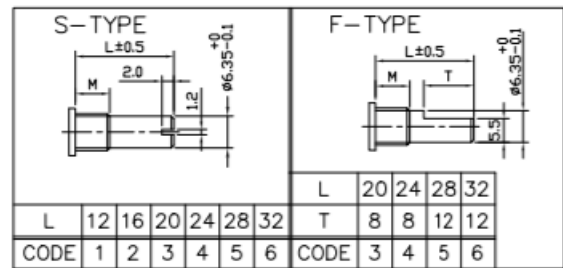
Model P260 / P261 Series



Shaft Type and Shaft Length "L" Code For 3.2mm (1/8")

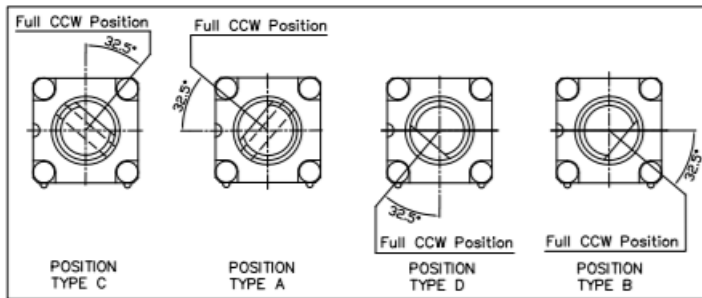


Shaft Type and Shaft Length "L" Code For 6.35mm (1/4")



Shaft Position (F-Type Shaft)

Dashed lines on Type "C" and Type "A" shows position of adjustment slot for S-Type



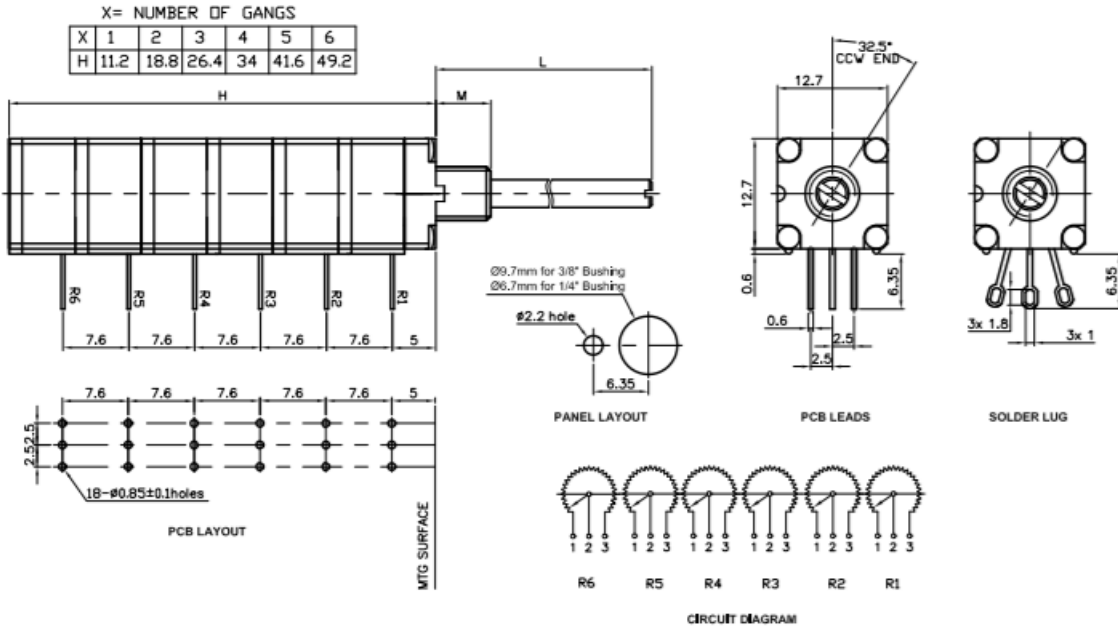
STANDARD RESISTANCE VALUES, OHMS

500	1K	2K	5K	10K	20K	50K	100K	200K	500K	1MEG
-----	----	----	----	-----	-----	-----	------	------	------	------

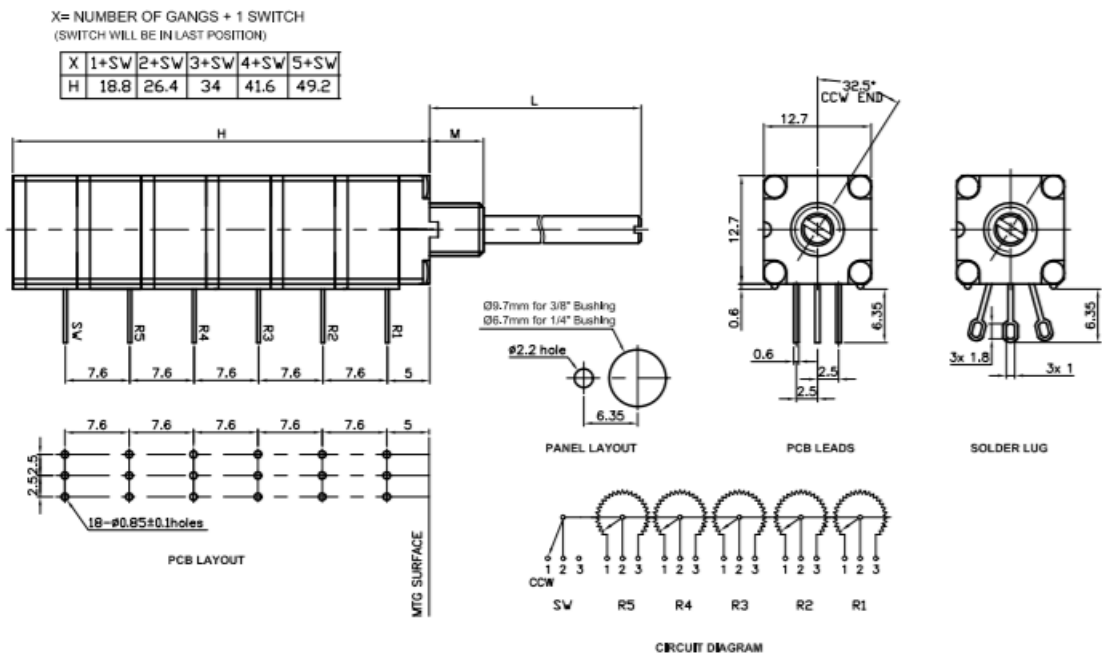
General Note
 TT Electronics reserves the right to make changes in product specification without notice or liability. All information is subject to TT Electronics' own data and is considered accurate at time of going to print.

Outline Drawings

P260P/P261P – POTENTIOMETER MODULE



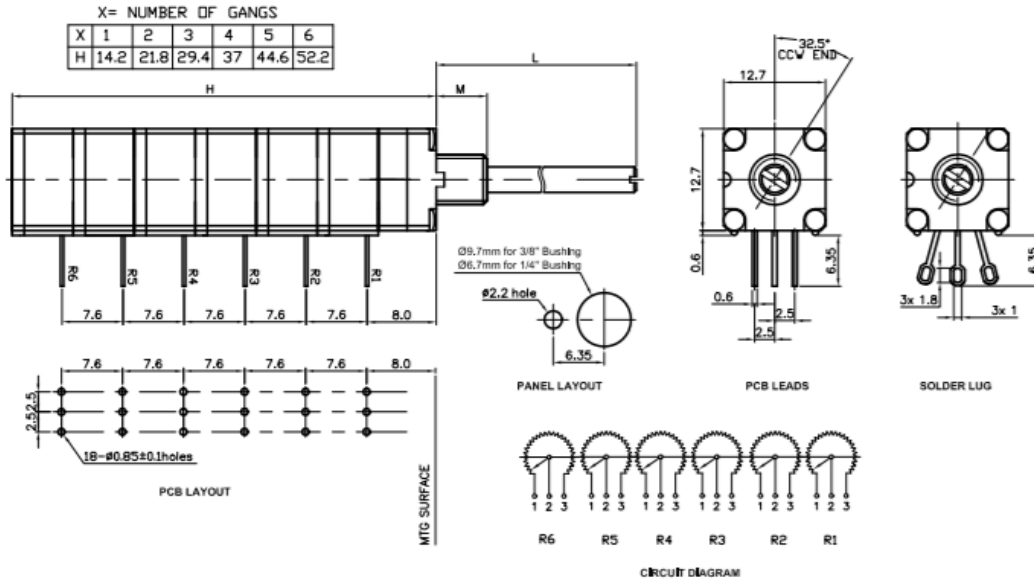
P260S/P261S – WITH ROTARY SWITCH MODULE



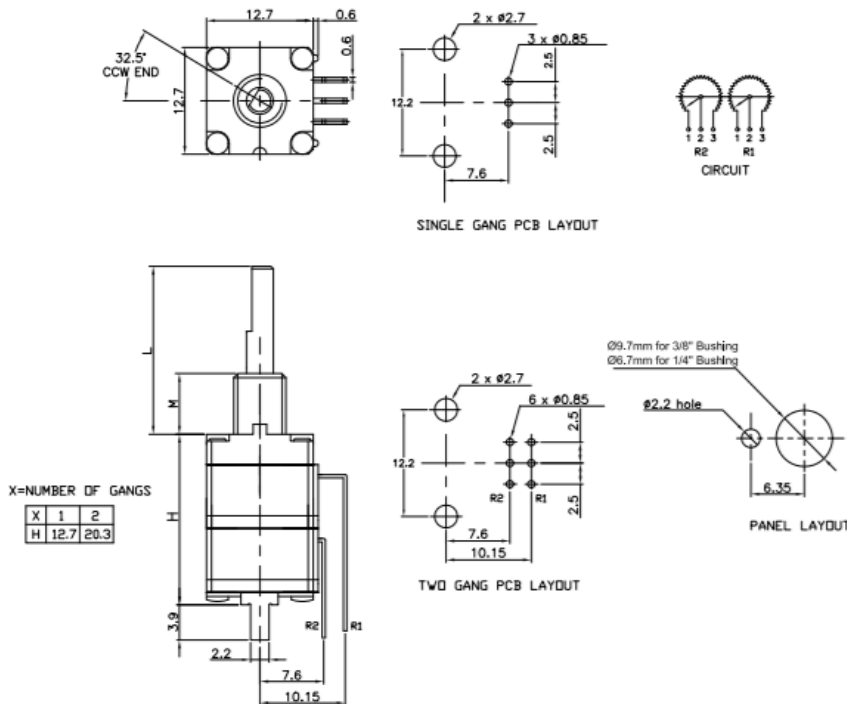
General Note
TT Electronics reserves the right to make changes in product specification without notice or liability. All information is subject to TT Electronics' own data and is considered accurate at time of going to print.

Outline Drawings

P260D/P261D – WITH DETENT MODULE



P260T – TOP ADJUST, POTENTIOMETER MODULE



General Note
 TT Electronics reserves the right to make changes in product specification without notice or liability. All information is subject to TT Electronics' own data and is considered accurate at time of going to print.

TT Electronics | BI Technologies
 Circulo de la Amistad #102 PIMSA IV Mexicali B.C. Mexico C.P 21210
 Ph: +1 714 447 2345
 www.ttelectronics.com/bi-technologies

Panel Potentiometer

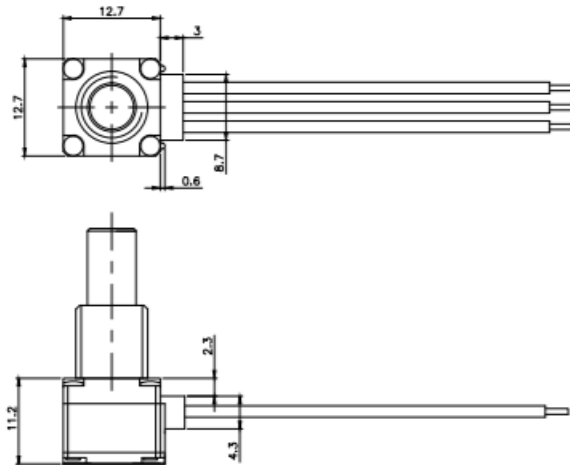
Model P260 / P261 Series



Outline Drawings

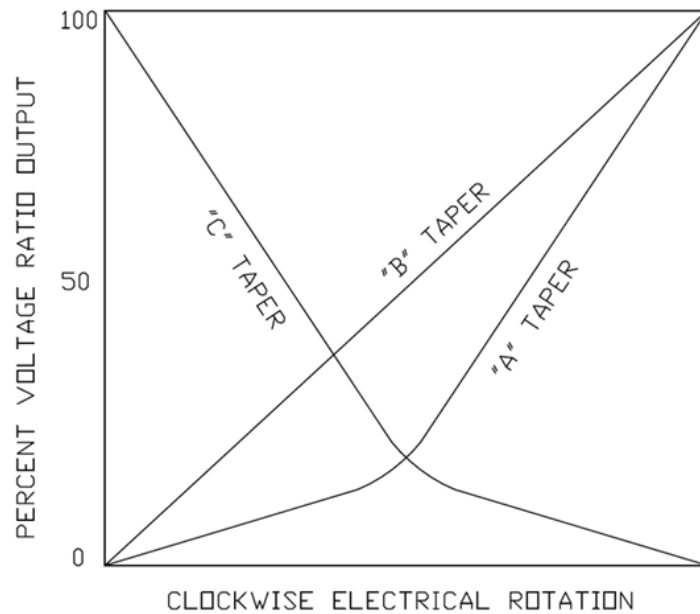
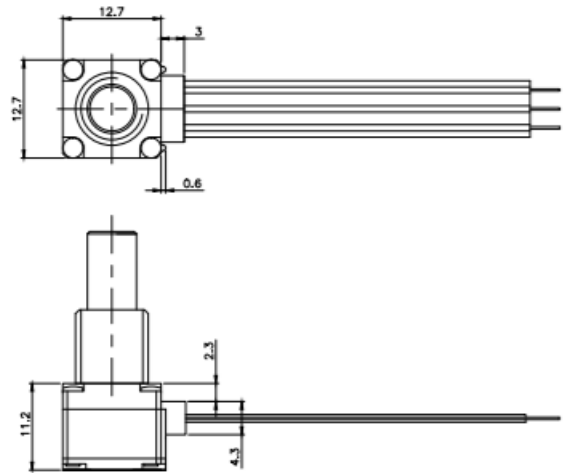
P260L – WITH WIRE LEADS

Consult factory for details and options



P260R – WITH RIBBON TYPE CABLE

Consult factory for details and options



General Note
 TT Electronics reserves the right to make changes in product specification without notice or liability. All information is subject to TT Electronics' own data and is considered accurate at time of going to print.

TT Electronics | BI Technologies
 Circulo de la Amistad #102 PIMSA IV Mexicali B.C. Mexico C.P 21210
 Ph: +1 714 447 2345
www.ttelectronics.com/bi-technologies

X-ON Electronics

Largest Supplier of Electrical and Electronic Components

Click to view similar products for [Potentiometers](#) category:

Click to view products by [TT Electronics](#) manufacturer:

Other Similar products are found below :

[590SX1N32F103SS](#) [006-0-1](#) [591SXJ48S252SC](#) [591SXP56S252SC](#) [591SXP56S503SC](#) [D31409](#) [70B1G048K502X-A](#) [70B1M032S502W](#)
[70B1N056S202W](#) [70B8N056F502W](#) [70J8N048S104U](#) [70L1N040P103W](#) [70L1N048P103X](#) [70L1N048S103W](#) [81R1A-R22-A20L](#) [85A2A-](#)
[B28-B27/R51](#) [GS1G044P103UA](#) [GS1T032S103UA](#) [A47-200K](#) [A4720K](#) [RA20LASD251A](#) [132-0-0-502](#) [132-2-0-202](#) [132-0-0-102](#) [132-0-0-](#)
[103](#) [132B00301](#) [RK14K1220-F25-C0-A103](#) [RK14K1220F25C0C104](#) [RK14K1220-F25-C1-B103](#) [14910AABHSX10102KA](#)
[14910F0GJSX10105KA](#) [14910FAGJSX10102KA](#) [14910FBGLFY00103KA](#) [14910AABHSX10502KA](#) [14910FAGJSX10104KA](#) [ASM6674E](#)
[152-01031](#) [P140KH1-F15AR50K](#) [P170SPD-FC15BR10K](#) [P231-EC20BR5K](#) [P270-109A](#) [J97589](#) [P9A2R000FISX1103MA](#)
[248BBHS0XB25104MA](#) [248BBHS0XB25503MA](#) [RV170F-10-15R1-B500K-0021](#) [RV24AF-10-15R1-B500-3](#) [A43-750](#) [A47-15K](#) [A4750K](#)