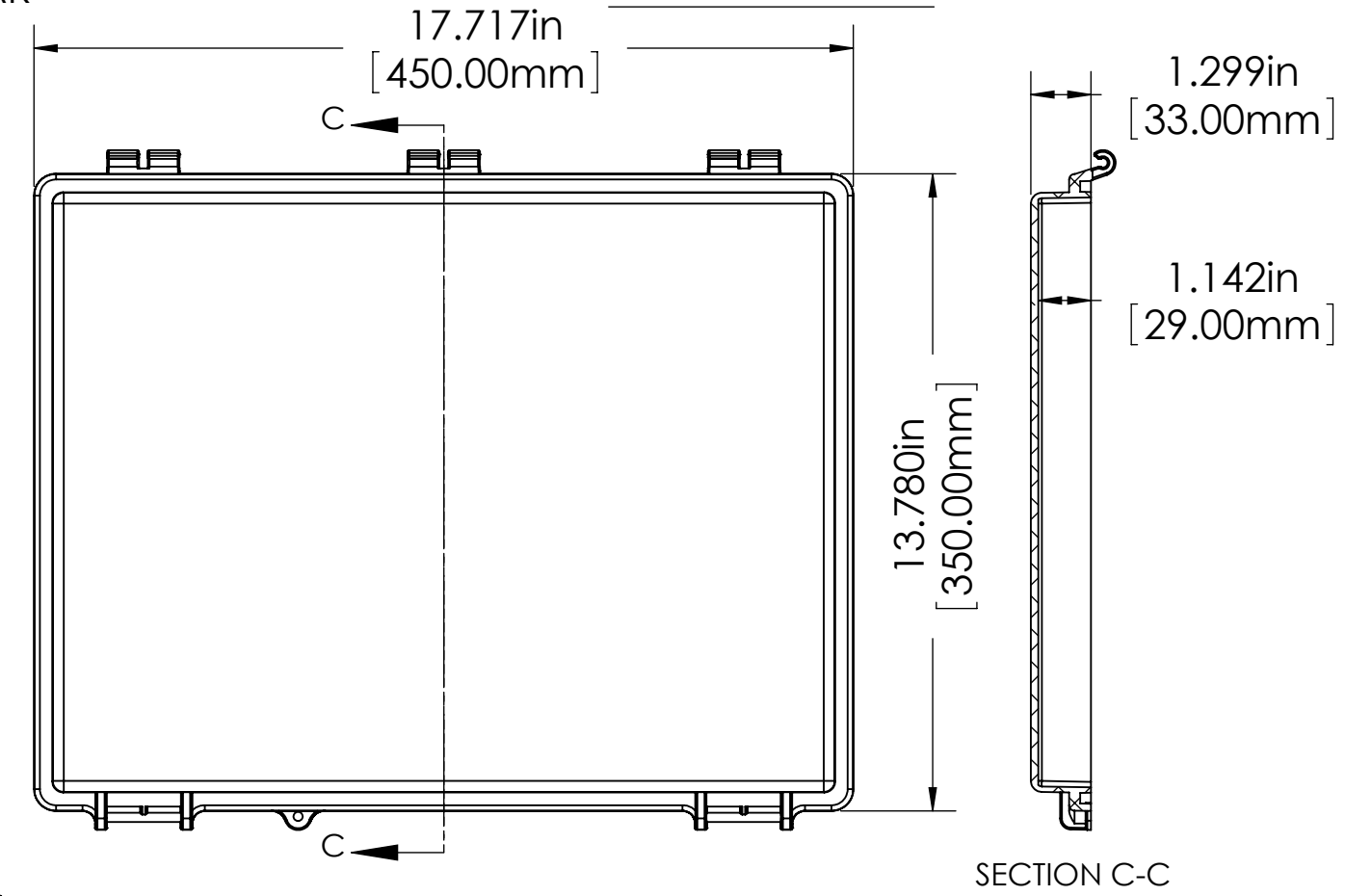


PART NAME	NBF SERIES PLASTIC NEMA BOX	PART No.	NBF-32030 & NBF-32130 & NBF-32230 & NBF-32330 & NBF-32430	REVISION DATE	4-30-14
-----------	-----------------------------	----------	---	---------------	---------

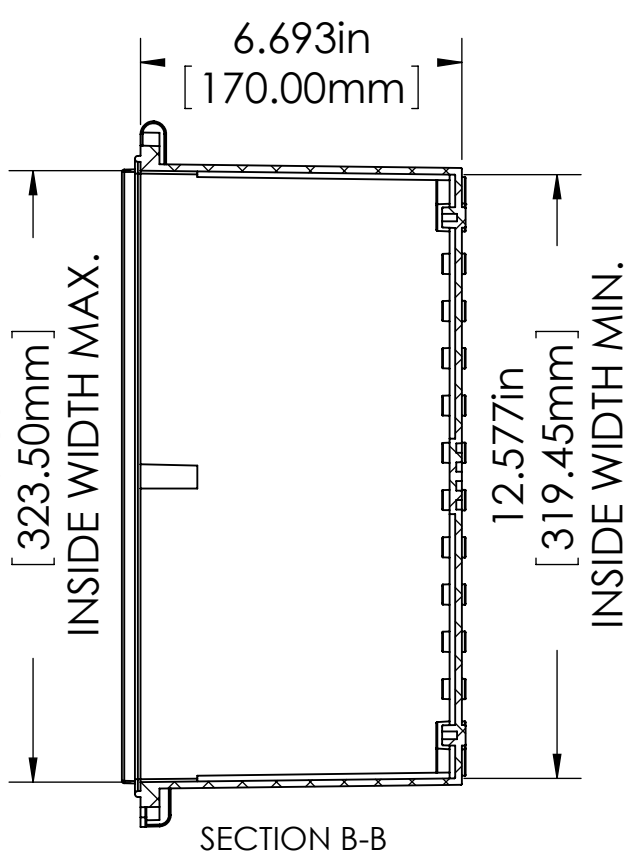
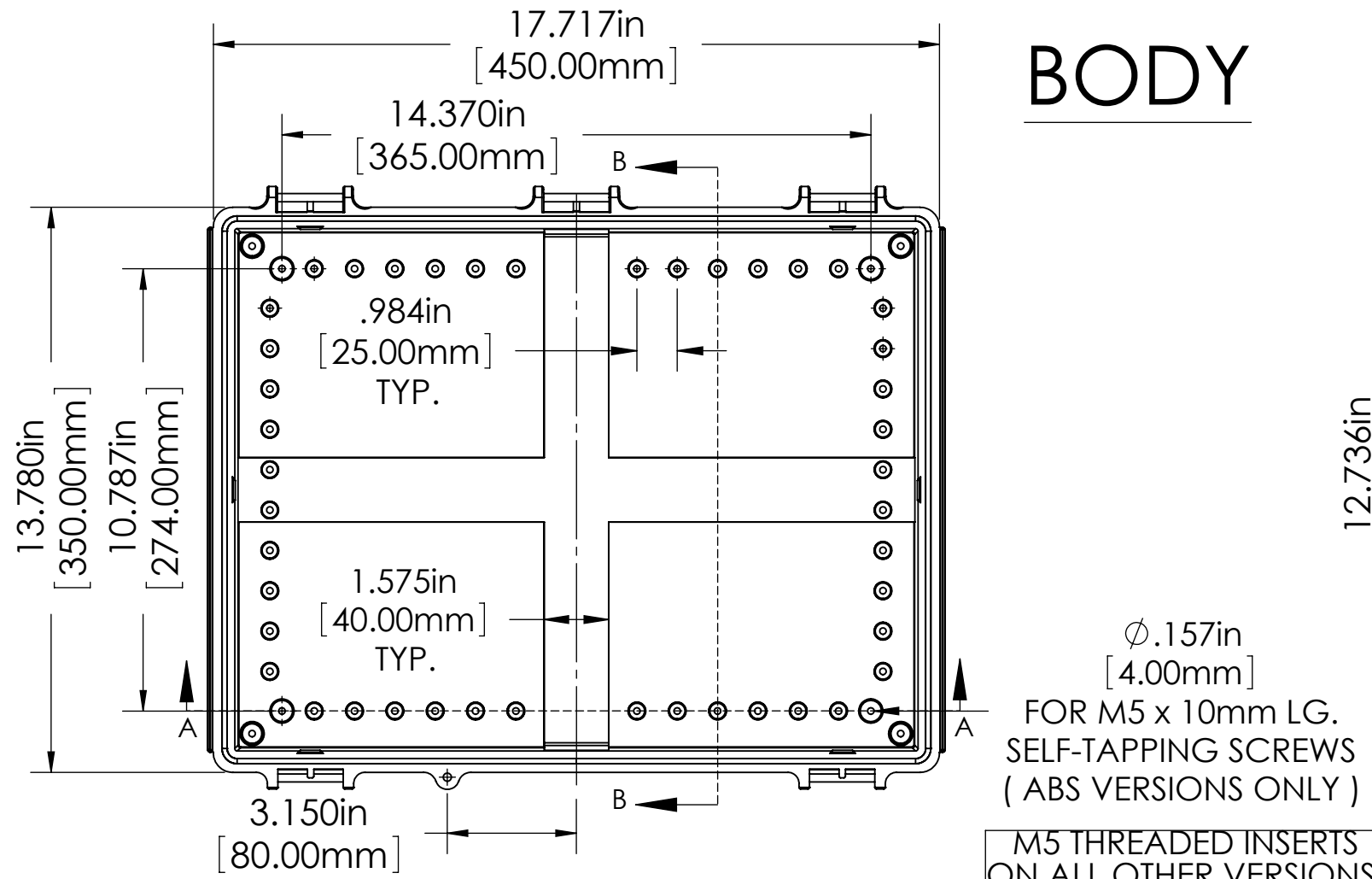
MATERIAL	FLAMMABILITY RATING	CONTINUOUS OPERATING TEMP.
ABS	UL94-HB	-40°C ~ +60°C / -40°F ~ 140°F
CLEAR PC	UL94-V0 UV STABILIZED	-40°C ~ +130°C / -40°F ~ 266°F
ABS / PC BLEND	UL94-5VA	-40°C ~ +85°C / -40°F ~ 185°F
PBT / PC BLEND	UL94-5VA + UV (f1)	-40°C ~ +75°C / -40°F ~ 167°F

FINISH:  
 BODY \_\_\_\_\_ LIGHT GRAY  
 COVER \_\_\_\_\_ LIGHT GRAY OR CLEAR  
 LATCHES & HINGES \_\_\_\_\_ PLASTIC  
 WALL MOUNTING BRACKETS \_\_\_\_\_ STAINLESS STEEL & HARDWARE

# COVER

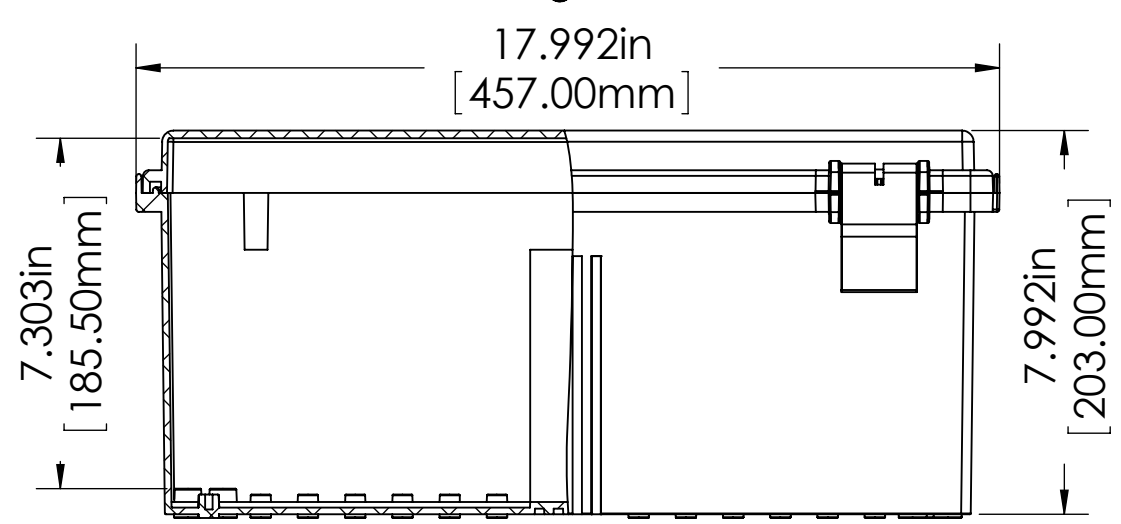
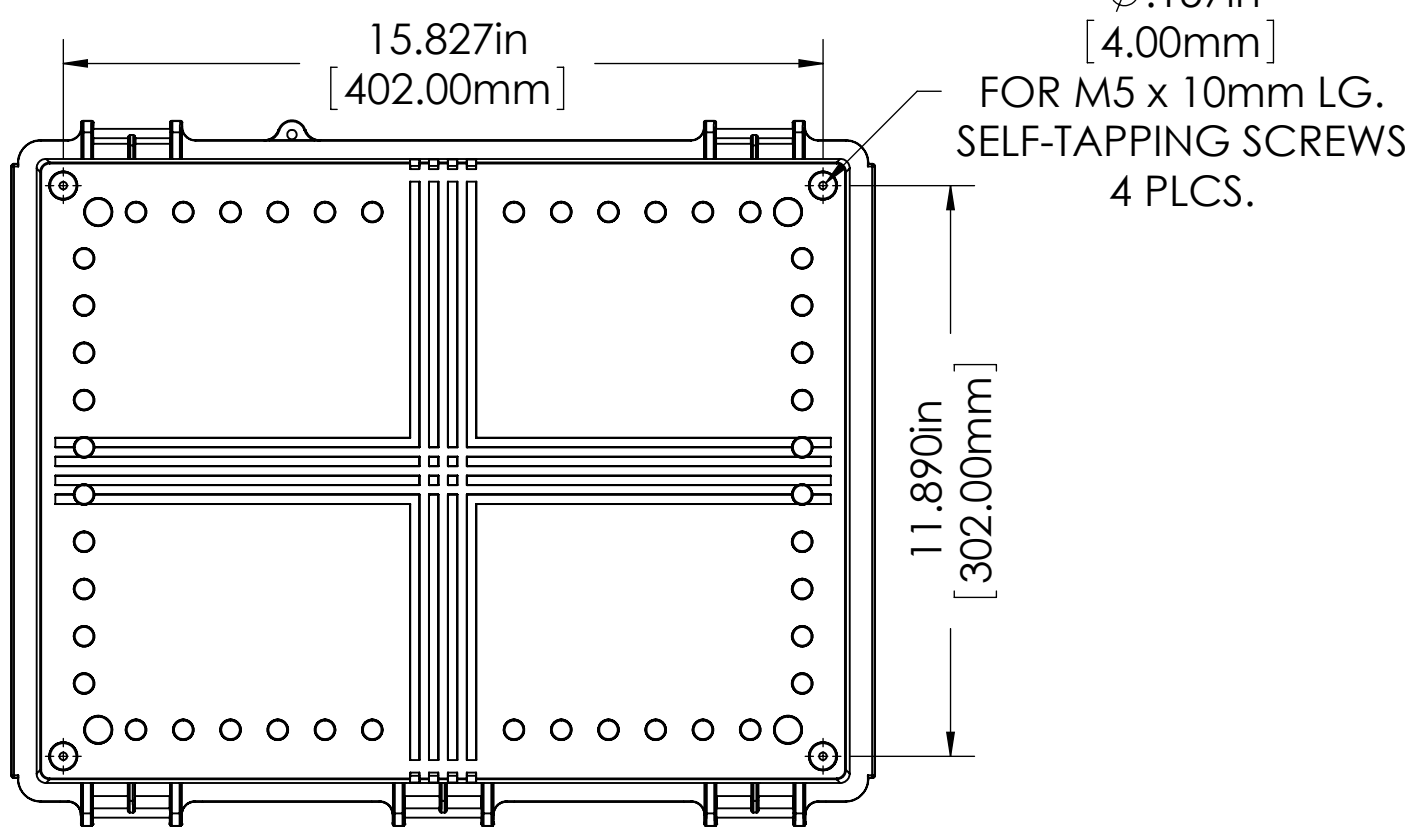
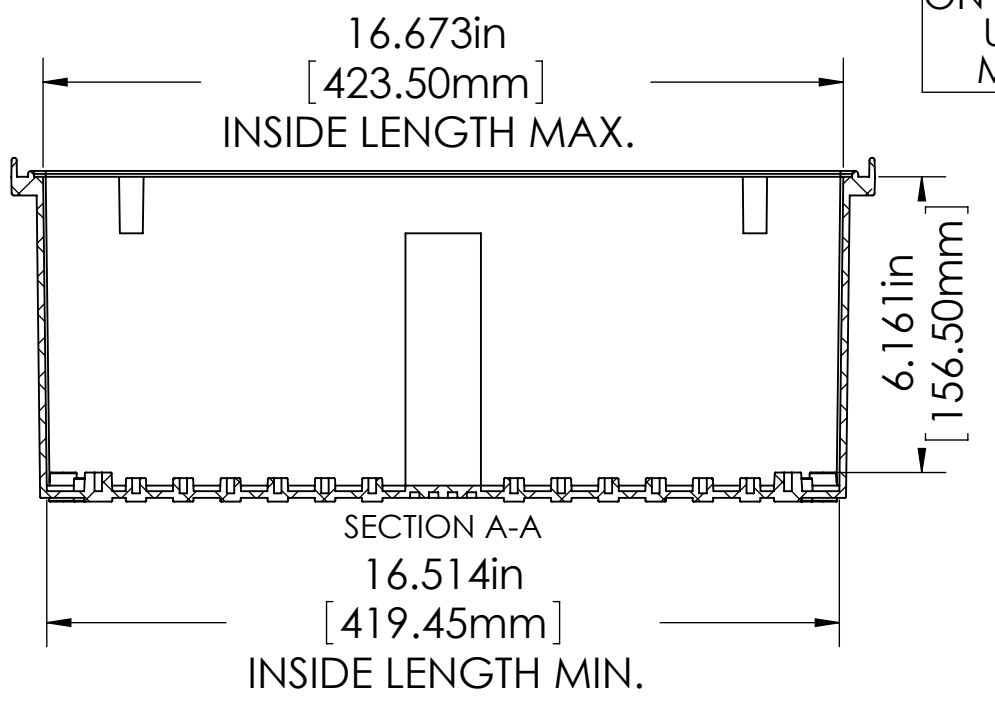
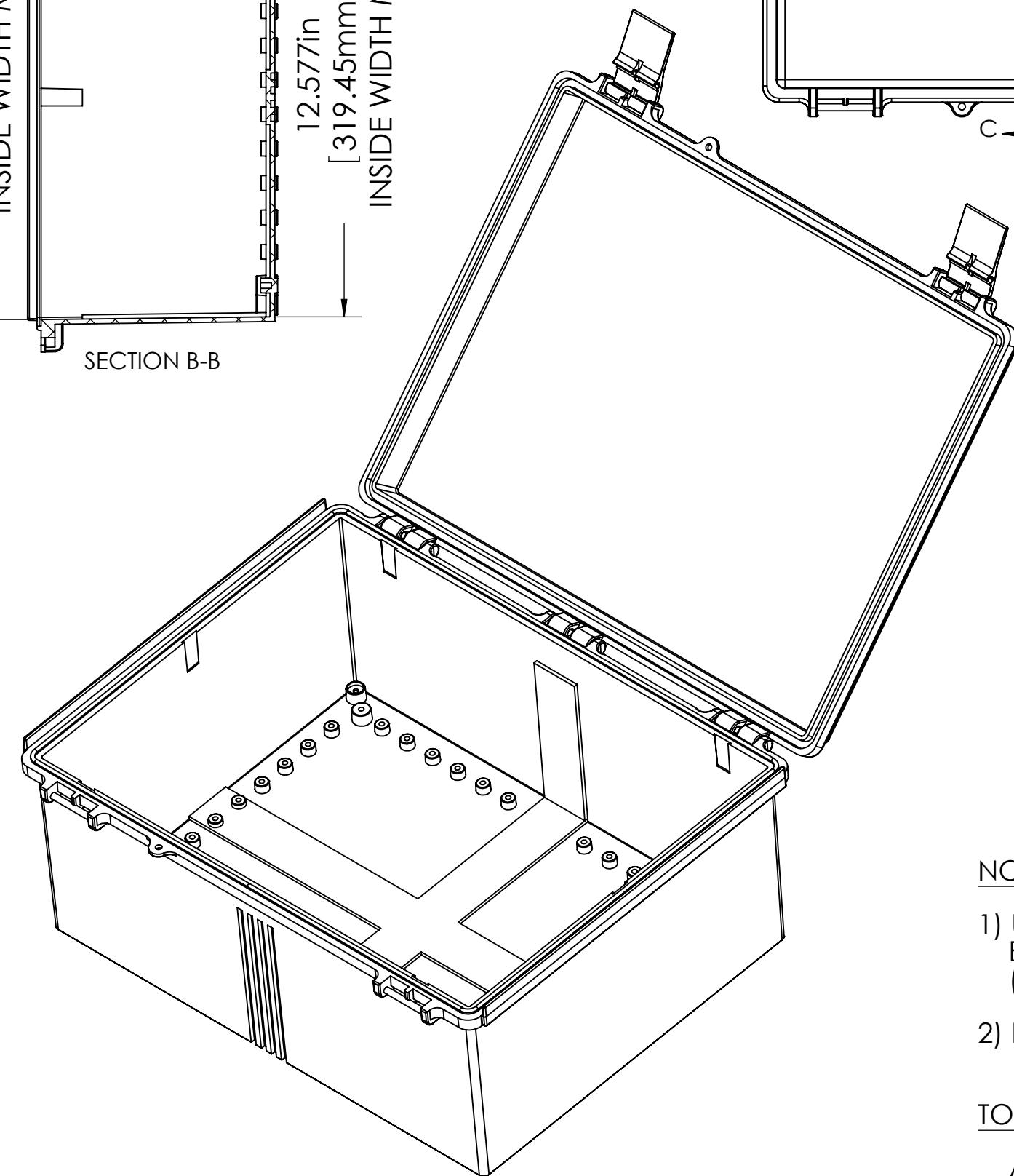


# BODY



Ø.157in [4.00mm]  
 FOR M5 x 10mm LG. SELF-TAPPING SCREWS (ABS VERSIONS ONLY)  
 M5 THREADED INSERTS ON ALL OTHER VERSIONS USE M5 x 8mm LG. MACHINE SCREWS.

# ASSEMBLY



### NOTES:

- 1) UNIT COMES COMPLETE WITH (4) WALL MOUNTING BRACKETS & (4) M5 x 10mm LG. SELF-TAPPING SCREWS. (NOT SHOWN)
- 2) BOXES DESIGNED TO MEET FOLLOWING STANDARDS: NEMA 1,2,4,4X, AND IEC529-IP65 REQUIREMENTS.

### TOLERANCE:

ALL DIMENSIONS HAVE ±0.039in [+1mm] TOLERANCE UNLESS OTHERWISE SPECIFIED.

PART NO.	MATERIAL		USE
	BODY	COVER	
NBF-32030	ABS	ABS	INDOOR
NBF-32130	ABS / PC	ABS / PC	INDOOR
NBF-32230	ABS / PC	CLEAR PC	INDOOR
NBF-32330	PBT / PC	PBT / PC	OUTDOOR
NBF-32430	PBT / PC	CLEAR PC	OUTDOOR

## X-ON Electronics

Largest Supplier of Electrical and Electronic Components

*Click to view similar products for [Electrical Enclosures](#) category:*

*Click to view products by [Bud Industries](#) manufacturer:*

Other Similar products are found below :

[120-902](#) [120-905](#) [120-403](#) [120-475](#) [120-901](#) [127-410](#) [130-007](#) [130-504](#) [130-506](#) [MR-25L+](#) [30-8739](#) [PIP-11774SCREW](#) [30-9715](#) [MR-25LW+](#) [110-407](#) [111-004](#) [111-008](#) [110-402](#) [110-901](#) [110-907](#) [111-002](#) [110-406](#) [110-910](#) [110-404](#) [110-409](#) [110-410](#) [120-405](#) [106-009](#) [106-505](#) [105-401](#) [106-006](#) [104-406](#) [137-002](#) [105-405](#) [111-005](#) [127-909](#) [106-502](#) [130-475](#) [130-503](#) [127-401](#) [106-010](#) [127-455](#) [127-475](#) [110-903](#) [R260-180-300](#) [9511020](#) [9822029](#) [9820014](#) [P61603000P](#) [9823009](#)