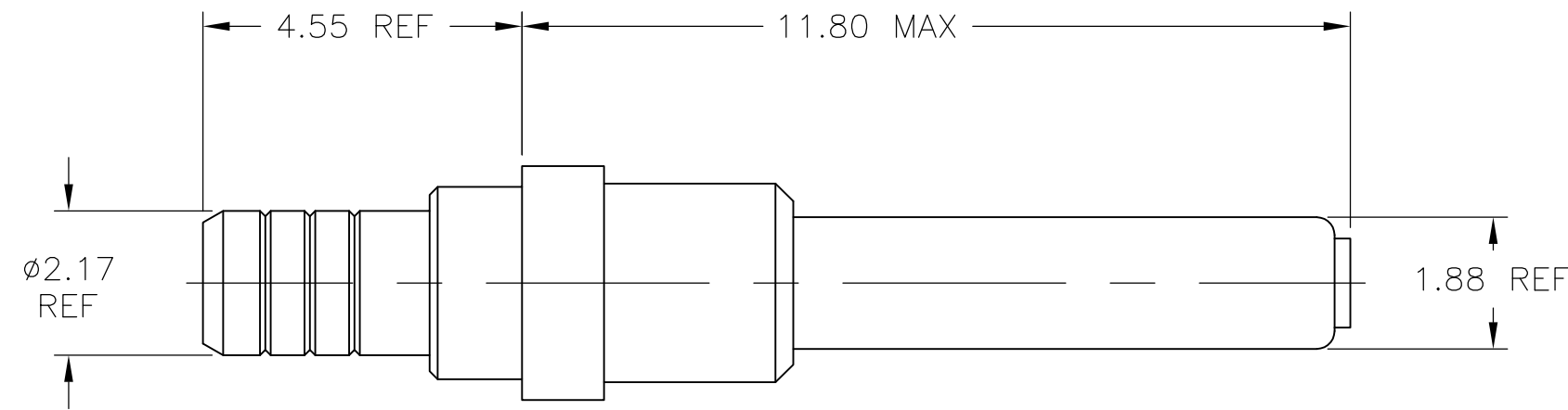
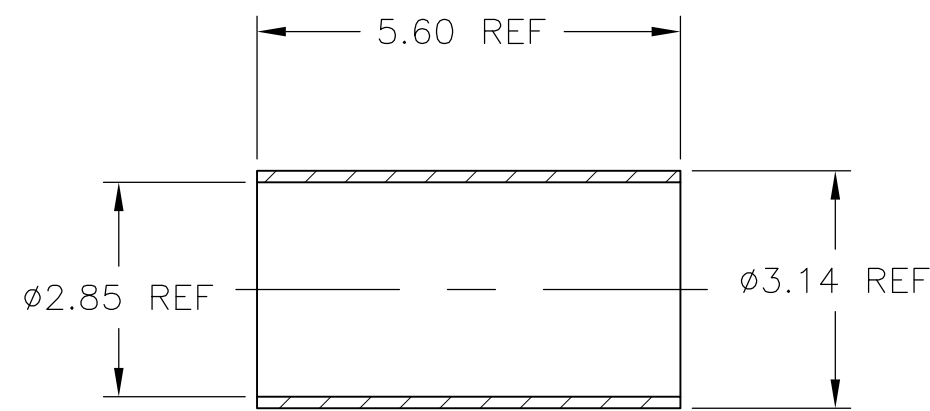


THIS DRAWING IS UNPUBLISHED. RELEASED FOR PUBLICATION  
 © COPYRIGHT - By - ALL RIGHTS RESERVED.

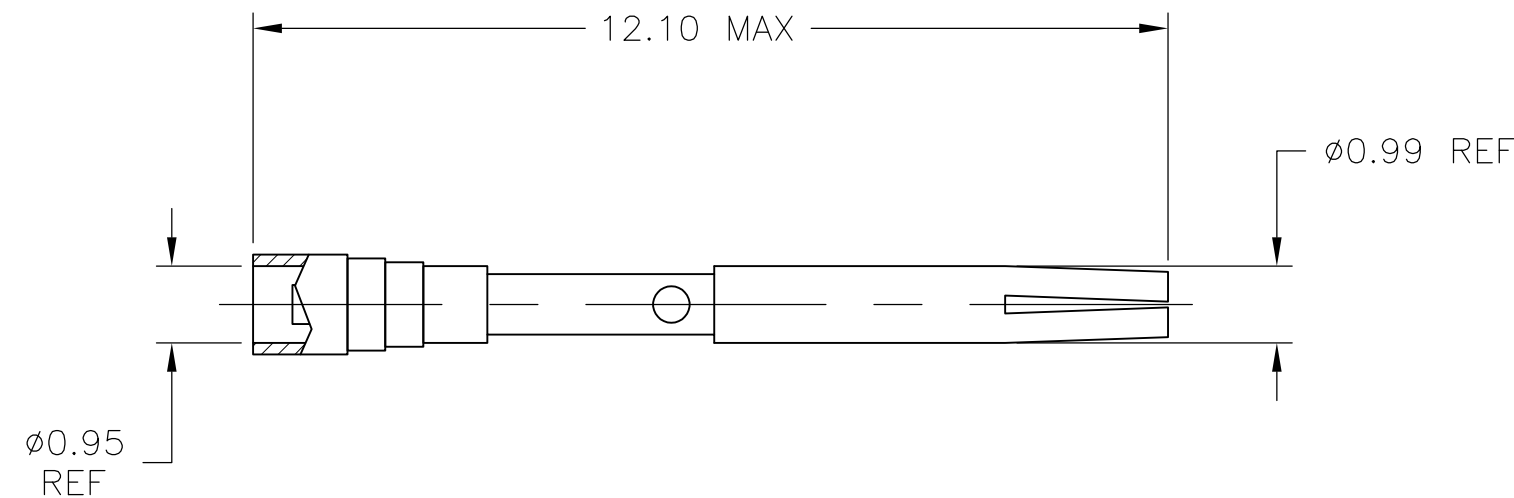
LOC		DIST		REVISIONS			
P	LTR	DESCRIPTION		DATE	DWN	APVD	
-	-	A		RELEASED PER ECO 11-021255	10-24-11	CT	MS



OUTER CONTACT



FERRULE



CENTER CONTACT

- MATERIAL:**  
 OUTER CONTACT, CENTER CONTACT AND FERRULE: COPPER ALLOY  
 PROTECTING TUBE: PASSIVATED STAINLESS STEEL  
 DIELECTRIC: PTFE
- FINISH:**  
 OUTER CONTACT, CENTER CONTACT AND FERRULE: GOLD PLATE OVER NICKEL UNDERPLATE
- CRIMPING TOOLS:** (CRIMPED CONTACTS WILL SHOW NO CRACK WHEN INSPECTED PER MIL-C-22520 AT 10x)  
 CENTER CONTACT:  
 BASIC TOOL: M22520/2-01 (REF TE P/N 601966-1)  
 OUTER BODY CONTACT:  
 BASIC TOOL: M22520/4-01 (REF TE P/N 601963-1)  
 DIE: (REF TE P/N 1738337-1)
- EXTRACTION TOOL:** M8 1969/1-03 (REF TE P/N 91066-3)
- APPLICABLE CABLES:** RG174, RG179, RG-316- KX22.
- THIS PRODUCT SOLD BY TE CONNECTIVITY UNDER A LICENSE FROM RADIAL SA.**

1738025-1  
 PART NO.

THIS DRAWING IS A CONTROLLED DOCUMENT.		DWN	C.C.THOMAS	24OCT2011			
DIMENSIONS: mm		CHK	M.SPICER	10-24-11			
TOLERANCES UNLESS OTHERWISE SPECIFIED:		APVD	M.SPICER	10-24-11	NAME		
0 PLC ± -		PRODUCT SPEC		PIN CONTACT KIT, SIZE 15, COAX, GPR			
1 PLC ± -		APPLICATION SPEC		-			
2 PLC ± -		WEIGHT		-			
3 PLC ± -		SIZE		A2		CAGE CODE	
4 PLC ± -		DRAWING NO		00779		DRAWING NO	
ANGLES ± -		RESTRICTED TO		-			
FINISH		SCALE		10:1		SHEET	
MATERIAL		CUSTOMER DRAWING		1738025		1 OF 1	
-		REV		A		-	

1738025

## X-ON Electronics

Largest Supplier of Electrical and Electronic Components

*Click to view similar products for [Rack & Panel Connectors](#) category:*

*Click to view products by [TE Connectivity](#) manufacturer:*

Other Similar products are found below :

[00170420102](#) [00171420202](#) [00171440002](#) [008026165000265](#) [00-8219-072-000-112P44](#) [008219072000112P5](#) [02-014-013-5200-000](#) [613467-000](#) [CTJ112E01E-513](#) [CTJ116E03A-513](#) [M81714/63-22S L/C](#) [M81714/65-12-1](#) [66020-2](#) [CW8958-000](#) [699886-000](#) [D250-50632](#)  
[70.400.3240.0](#) [70.955.2453.3](#) [733753-000](#) [F22831-000](#) [780-522-DPX34RG8-02](#) [MMA25-0341D1](#) [8660-501](#) [87.060.0053.0](#) [900709N001](#)  
[QRP4-12P-C\(01\)](#) [QR/P6-6S-C\(01\)](#) [AC-600003-004](#) [1218600-1](#) [D-659-0061](#) [DMC-MD 24 C-T](#) [1-445717-6](#) [1484398-2](#) [1484399-2](#) [1484469-2](#) [MR-34MG](#) [1484225-1](#) [1484398-1](#) [1604997-2](#) [1663130-1](#) [1663767-7](#) [1663767-8](#) [MTC100-BF1-P31CS015](#) [MTC100-KT2-0083](#) [MTC100-KT2-0123-003](#) [MTC100-YA1-005](#) [MTCB1X-105-XXX](#) [MTCPQKT1P2PGDC](#) [MTCPQKT1R2PGCA](#) [MTCR-103-04S](#)