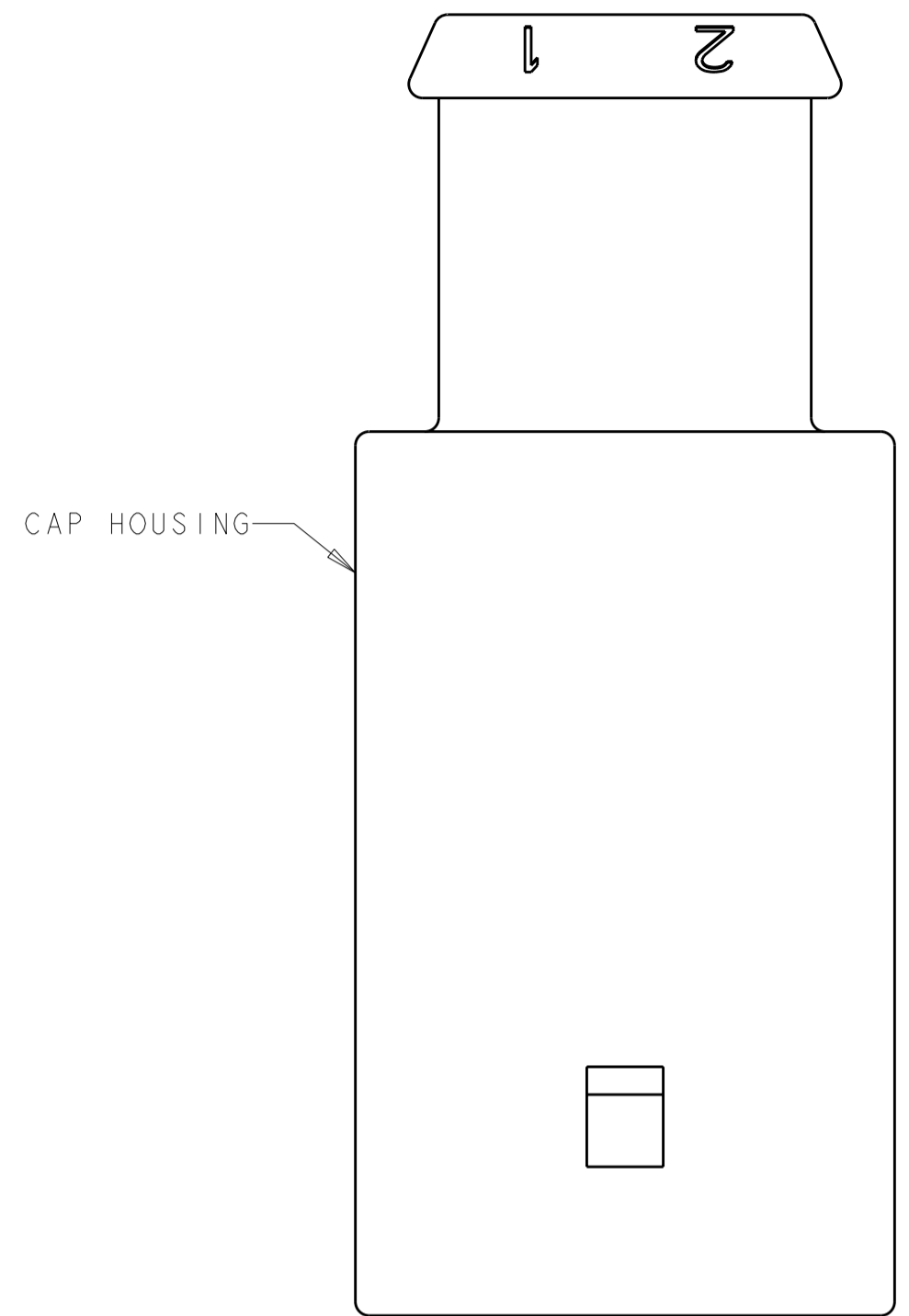
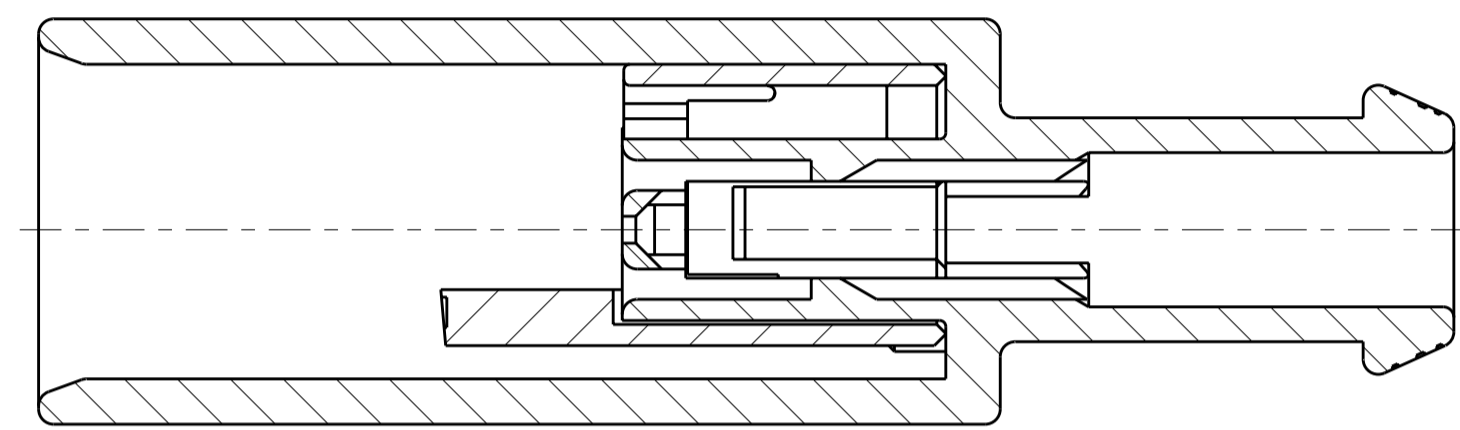
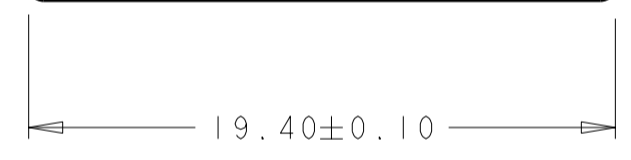


THIS DRAWING IS UNPUBLISHED. RELEASED FOR PUBLICATION 20  
 © COPYRIGHT 20 BY TYCO ELECTRONICS CORPORATION. ALL INTERNATIONAL RIGHTS RESERVED.

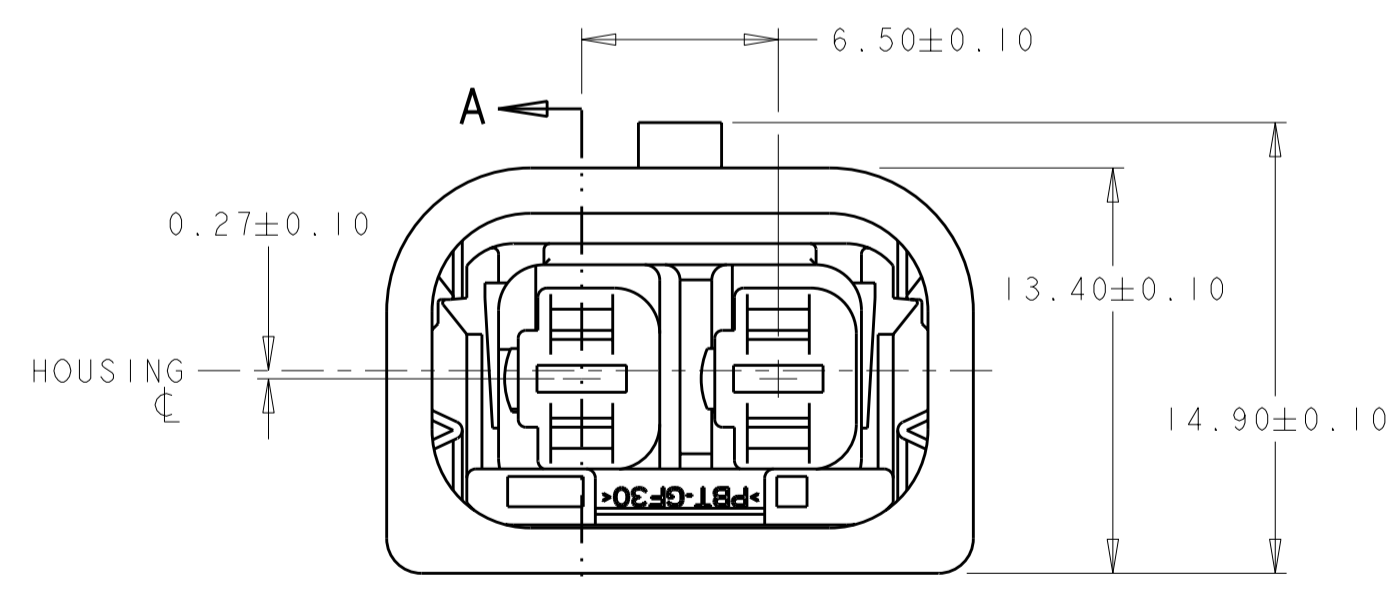
LOC	DIST	REVISIONS			
P	LTR	DESCRIPTION	DATE	DWN	APVD
AA	00				
	6	REVISED PER ECO-10-001005	20JAN2010	DD	TW
	7	REVISED PER ECO-10-003029	10FEB2010	DD	TW
	A	RELEASED PER ECO-10-006107	24MAR2010	DD	TW
	B	REVISED PER ECO-10-015609	29JUL2010	DD	TW



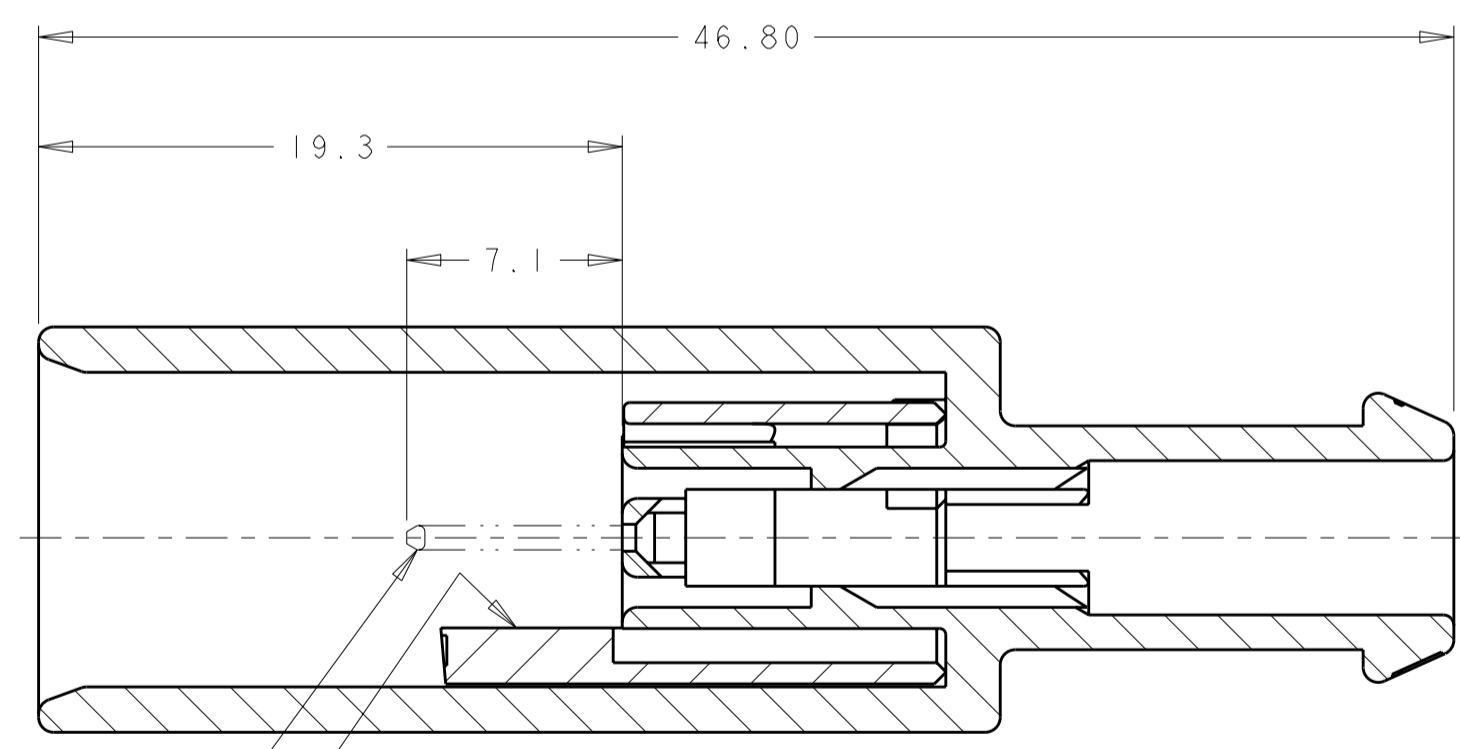
CAP HOUSING



SECTION A-A  
(LOCKING PLATE SHOWN IN PRESET POSITION)

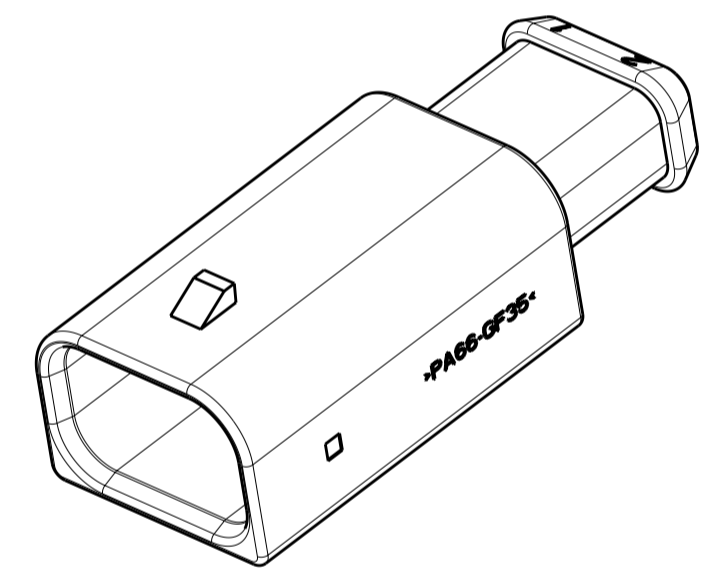


HOUSING

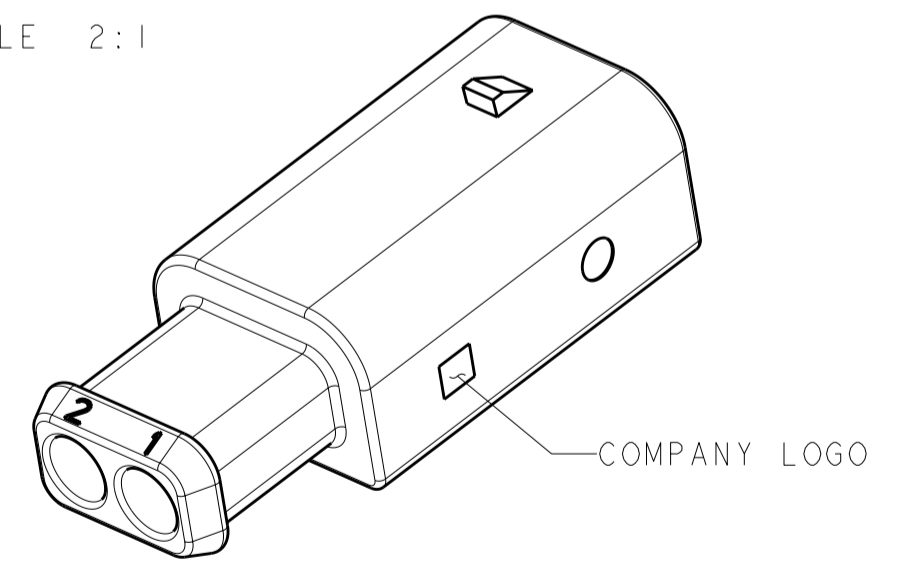


SECTION A-A  
(LOCKING PLATE SHOWN IN LOCKED POSITION)

- 1 MATERIAL: HOUSING - POLYAMIDE MOLDING COMPOUND, 35% GLASS FILLED, COLOR: BLACK.  
 RETAINER - POLYESTER MOLDING COMPOUND, 30% GLASS FILLED, COLOR: YELLOW.
- 2 CONTACT CIRCUITS DESIGNED TO RECEIVE TYCO ELECTRONICS (TE) 2.8 MCP BLADES AND WIRE SEALS. REFER TO TE CI355052.  
 WIRE SIZES ACCOMODATED BY THIS DESIGN RANGE FROM 18AWG (0.8mm<sup>2</sup>) TO 14AWG (2.0mm<sup>2</sup>).
- 3. MATES WITH 2 POSITION ASSEMBLY, TE PN 1326455-1 AND WIRE DRESS, TE PN 1326459-1.
- 4. NOTE DELETED.



SCALE 2:1



SCALE 2:1

1326743-1  
PART NUMBER

THIS DRAWING IS A CONTROLLED DOCUMENT FOR TYCO ELECTRONICS CORPORATION IT IS SUBJECT TO CHANGE AND THE CONTROLLING ENGINEERING ORGANIZATION SHOULD BE CONTACTED FOR THE LATEST REVISION.		DWN B. HOLTZCLAW 23MAY2006 CHK T. WOJCIACKI 23MAY2006 APVD T. WOJCIACKI 23MAY2006	Tyco Electronics Harrisburg, PA 17105-3608
DIMENSIONS: mm	TOLERANCES UNLESS OTHERWISE SPECIFIED: 0 PLC ±0.13 1 PLC ±0.13 2 PLC ±0.13 3 PLC ±0.13 4 PLC ±0.13 ANGLES ± FINISH	PRODUCT SPEC 108-2430 APPLICATION SPEC - WEIGHT - CUSTOMER DRAWING	NAME ASSEMBLY, CAP, SEALED, 2 POSITION, MCP 2.8 SIZE A2 CAGE CODE 0779 DRAWING NO C-1326743 RESTRICTED TO - SCALE 4:1 SHEET 1 OF 1 REV B

## X-ON Electronics

Largest Supplier of Electrical and Electronic Components

*Click to view similar products for [Automotive Connectors](#) category:*

*Click to view products by [TE Connectivity](#) manufacturer:*

Other Similar products are found below :

[003-018-000](#) [600858](#) [60403001](#) [60993906-B](#) [60993913-B](#) [629515004020001](#) [M902-2131](#) [M902-2161](#) [M902-2344](#) [72.330.1035.1](#)  
[73.353.4028.0](#) [F118010](#) [F119300-B](#) [F132210](#) [F132210-B](#) [F166900](#) [F180100](#) [F258300](#) [F258300-B](#) [F294300-B](#) [F339100](#) [F339700](#) [F358300-](#)  
[B](#) [F374110](#) [F407400](#) [F412210](#) [F427600](#) [F444110](#) [F487000](#) [F495100-B](#) [F500900-B](#) [F509500B-B](#) [770444-1](#) [776880-1](#) [827153-1](#) [881735-1](#)  
[8N1515-32-24P](#) [9-1326727-8](#) [9-1326729-8](#) [925467-1](#) [925474-1](#) [928905-1](#) [936398-2](#) [964562-1](#) [964562-4](#) [964731-2](#) [965051-1](#) [968782-1](#)  
[GT17SA-8DS-HU](#) [GT17VS-10DP-5.2CF](#)