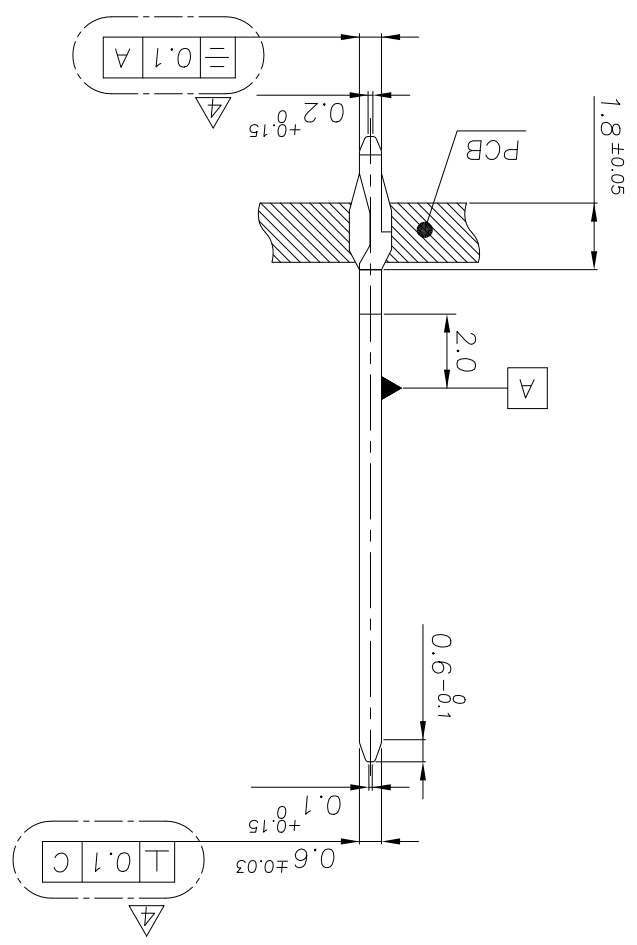
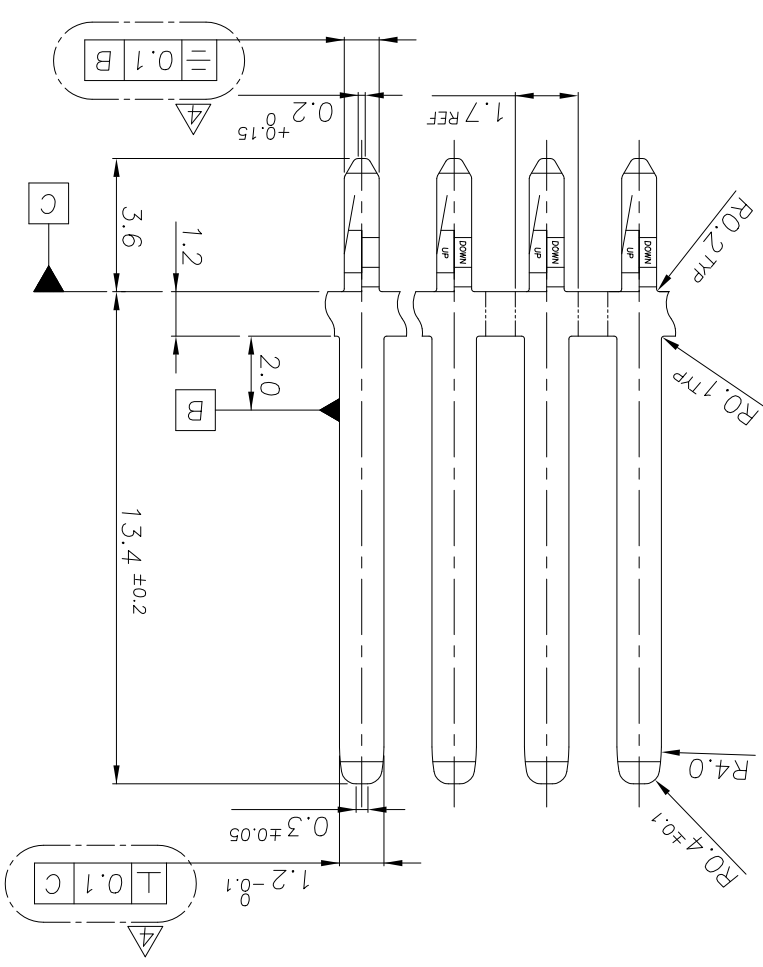
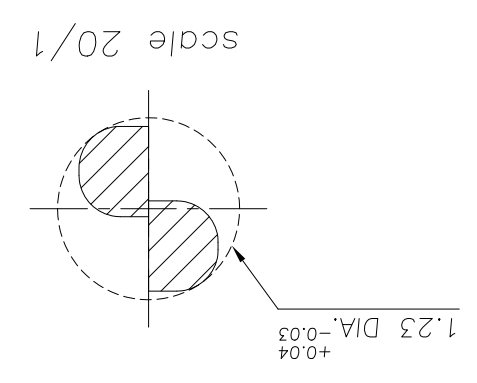
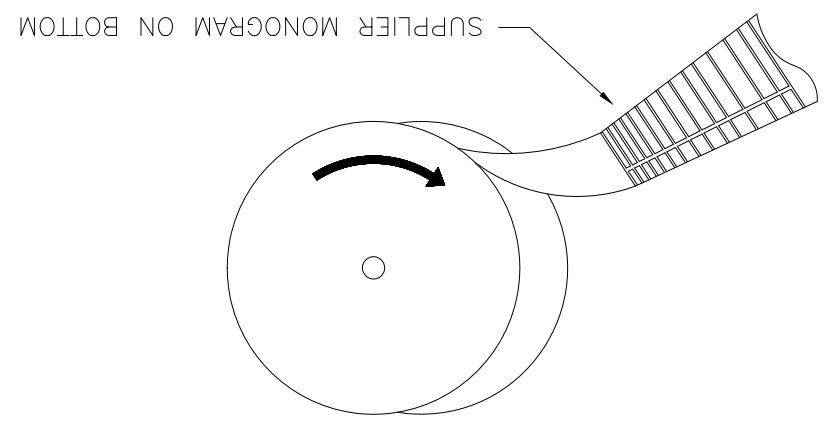


CUSTOMER DRAWING		SCALE 5/1		SHEET 1 OF 1		REV B3	
MATERIAL		FINISH		WEIGHT		SEE NOTES	
600mm PLASTIC REEL/30M		585mm PAPER REEL/30M		114-61008		SEE NOTES	
DIMENSIONS: MM		TOLERANCES UNLESS OTHERWISE SPECIFIED:		APPLICATIO SPEC		SEE NOTES	
0 <XXX<10 ± 0.2		10<XXX<30 ± 0.25		108-61069		SEE NOTES	
30<XXX<100 ± 0.3		ANGLES ± 3°		PRODUCT SPEC		SEE NOTES	
DWN BS Y00		CHK YM CHOI		JK SONG		SEE NOTES	
APVD		NAME		CAGE CODE		DRAWING NO	
AMP KOREA, Kyungsan, Korea		Tyco Electronics		00779		1 2 4 3 4 4 7	
PART NUMBER		MATERIAL		FINISH		RESTRICTED TO	
1-1743447-2		1743447-2		1743447-2		1743447-2	



- * NOTES:
- PHOSPHOR BRONZE - CUS4(H03) HARD [HARDNESS 155-180 HV].
 - 100% TIN PLATING 1.0~4.0um Bright
 - OVER, NICKEL PLATING 1.25~2.0um Matte.
 - PCB HOLE SIZE: 3
 - DRILLED HOLE ϕ : 1.15 ± 0.025
 - FINISHED HOLE ϕ : 0.94 ~ 1.09
 - Cu - THICKNESS: 0.025 ~ 0.075
 - SnPb - THICKNESS: 0.004 ~ 0.010
 - MEASURING POINT FOR PPK

Customer Drawing for Approval

Description: ACTION-PIN 1.2x0.6

Customer part No: F005 VI 3825

TE division part No: 1743447-2

Approved by:

Date:

REV	DATE	DESCRIPTION	APVD
A	23.FEB'06	RELEASED	JK
B	06.JUL'06	REVISED(ECR-06-011306)	JK
B1	19.OCT'06	REVISED(ECR-06-024676)	JK
B2	31.OCT'06	REVISED(ECR-06-025592)	JK
B3	23.JAN'07	REVISED(ECR-07-001707)	JK

A
B
C
D

A
B
C
D

X-ON Electronics

Largest Supplier of Electrical and Electronic Components

Click to view similar products for [Automotive Connectors](#) category:

Click to view products by [TE Connectivity](#) manufacturer:

Other Similar products are found below :

[003-018-000](#) [600858](#) [60403001](#) [60993906-B](#) [60993913-B](#) [629515004020001](#) [M902-2131](#) [M902-2161](#) [M902-2344](#) [72.330.1035.1](#)
[73.353.4028.0](#) [F118010](#) [F119300-B](#) [F132210](#) [F132210-B](#) [F166900](#) [F180100](#) [F258300](#) [F258300-B](#) [F294300-B](#) [F339100](#) [F339700](#) [F358300-](#)
[B](#) [F374110](#) [F407400](#) [F412210](#) [F427600](#) [F444110](#) [F487000](#) [F495100-B](#) [F500900-B](#) [F509500B-B](#) [770444-1](#) [776880-1](#) [827153-1](#) [881735-1](#)
[8N1515-32-24P](#) [9-1326727-8](#) [9-1326729-8](#) [925467-1](#) [925474-1](#) [928905-1](#) [936398-2](#) [964562-1](#) [964562-4](#) [964731-2](#) [965051-1](#) [968782-1](#)
[GT17SA-8DS-HU](#) [GT17VS-10DP-5.2CF](#)