

**PLEASE CHECK WWW.MOLEX.COM FOR LATEST PART INFORMATION**

**Part Number:** [0358431216](#)  
**Status:** **Active**  
**Overview:** Automotive Bulb Sockets  
**Description:** PT Bulb Socket Single Housing Assembly, Type B, P21W, Sealed, Gray

**Documents:**

[3D Model](#) [Packaging Specification PK-35843-001-001 \(PDF\)](#)  
[Drawing \(PDF\)](#) [RoHS Certificate of Compliance \(PDF\)](#)

**General**

|                |                                |
|----------------|--------------------------------|
| Product Family | Other Sockets                  |
| Series         | <a href="#">35843</a>          |
| Comments       | B-Type                         |
| Component Type | Socket                         |
| Overview       | <u>Automotive Bulb Sockets</u> |
| Product Name   | PT Bulb Socket                 |
| UPC            | 822348101801                   |

**Physical**

|                                |               |
|--------------------------------|---------------|
| Circuits (Loaded)              | 2             |
| Circuits (maximum)             | 2             |
| Color - Resin                  | White         |
| Durability (mating cycles max) | Contact Molex |
| Entry Angle                    | Vertical      |
| Keying to Mating Part          | None          |
| Material - Resin               | Nylon         |
| Net Weight                     | 10.538/g      |
| PCB Locator                    | No            |
| PCB Retention                  | N/A           |
| Packaging Type                 | Bag           |
| Pitch - Mating Interface       | N/A           |
| Temperature Range - Operating  | -40° to +85°C |
| Termination Interface: Style   | Through Hole  |

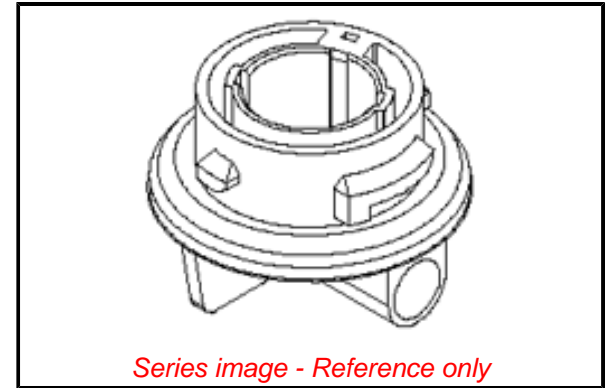
**Electrical**

|                               |      |
|-------------------------------|------|
| Current - Maximum per Contact | 7.0A |
| Voltage - Maximum             | 12V  |

**Material Info**

**Reference - Drawing Numbers**

|                         |                  |
|-------------------------|------------------|
| Packaging Specification | PK-35843-001-001 |
| Sales Drawing           | SD-35843-002     |



**EU ELV**

**Compliant**

**EU RoHS**

**Compliant**

**REACH SVHC**

Not Contained Per  
-ED/01/2018 (15  
January 2018)

**Halogen-Free**

**Status**

**Not Relevant**

For more information, please visit [Contact US](#)

China ROHS

ELV

RoHS Phthalates

**China RoHS**

Not Relevant

Compliant

Not Contained

**Search Parts in this Series**

[35843 Series](#)

**Mates With**

Bayonet Base Bulb

**Use With**

Positive Terminal for PT Bulb Socket  
[35464-8000](#) <br>Earth Terminal for PT  
Bulb Socket [35465-8000](#) <br>Positive Wire  
Seal [35903-0096](#) <br>Earth Wire Seal  
[35903-0106](#)

## X-ON Electronics

Largest Supplier of Electrical and Electronic Components

*Click to view similar products for [Automotive Connectors](#) category:*

*Click to view products by [Molex](#) manufacturer:*

Other Similar products are found below :

[003-018-000](#) [600858](#) [60403001](#) [60993906-B](#) [60993913-B](#) [629515004020001](#) [M902-2131](#) [M902-2161](#) [M902-2344](#) [72.330.1035.1](#)  
[73.353.4028.0](#) [F118010](#) [F119300-B](#) [F132210](#) [F132210-B](#) [F166900](#) [F180100](#) [F258300](#) [F258300-B](#) [F294300-B](#) [F339100](#) [F339700](#) [F358300-](#)  
[B](#) [F374110](#) [F407400](#) [F412210](#) [F427600](#) [F444110](#) [F487000](#) [F495100-B](#) [F500900-B](#) [F509500B-B](#) [770444-1](#) [776880-1](#) [827153-1](#) [881735-1](#)  
[8N1515-32-24P](#) [9-1326727-8](#) [9-1326729-8](#) [925467-1](#) [925474-1](#) [928905-1](#) [936398-2](#) [964562-1](#) [964562-4](#) [964731-2](#) [965051-1](#) [968782-1](#)  
[GT17SA-8DS-HU](#) [GT17VS-10DP-5.2CF](#)