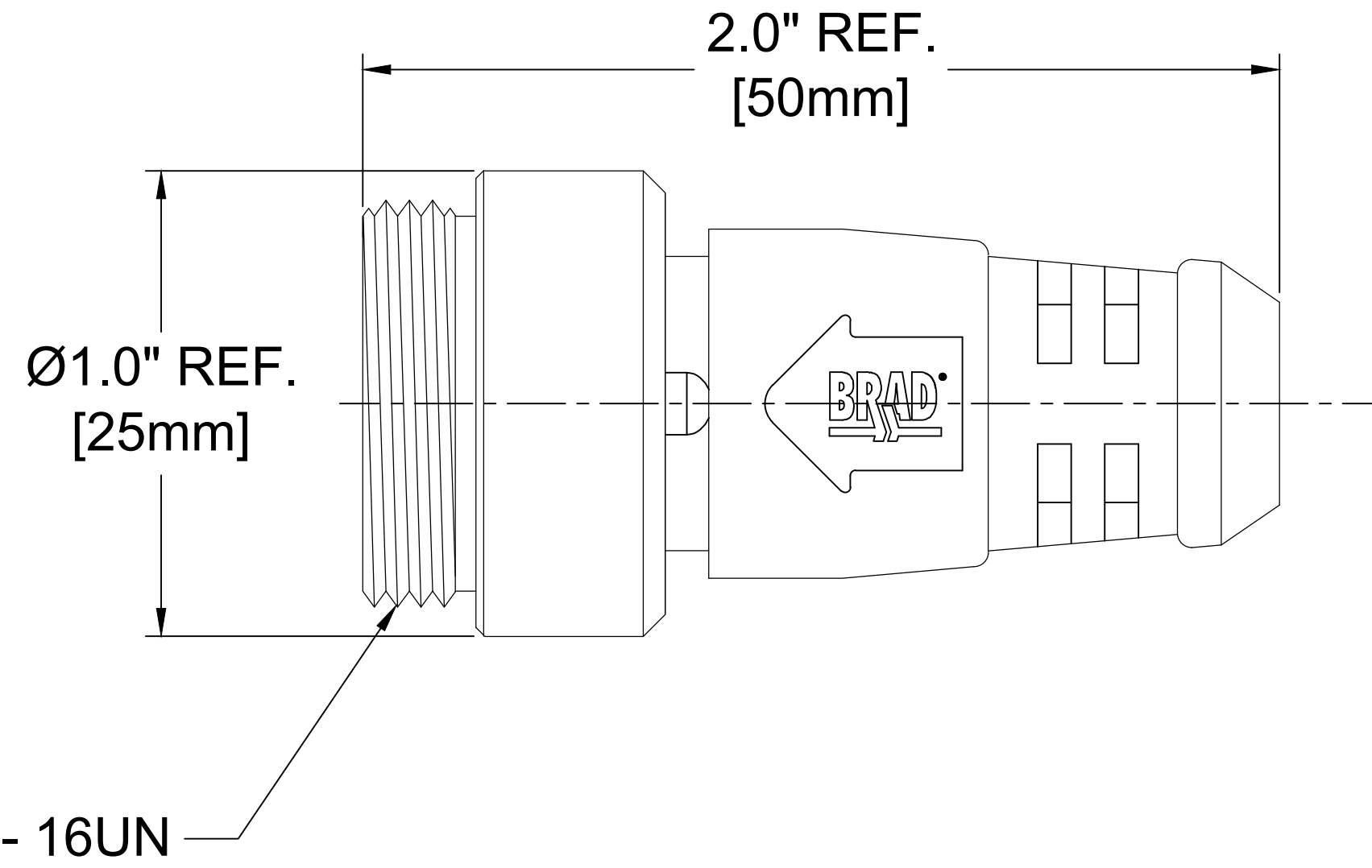
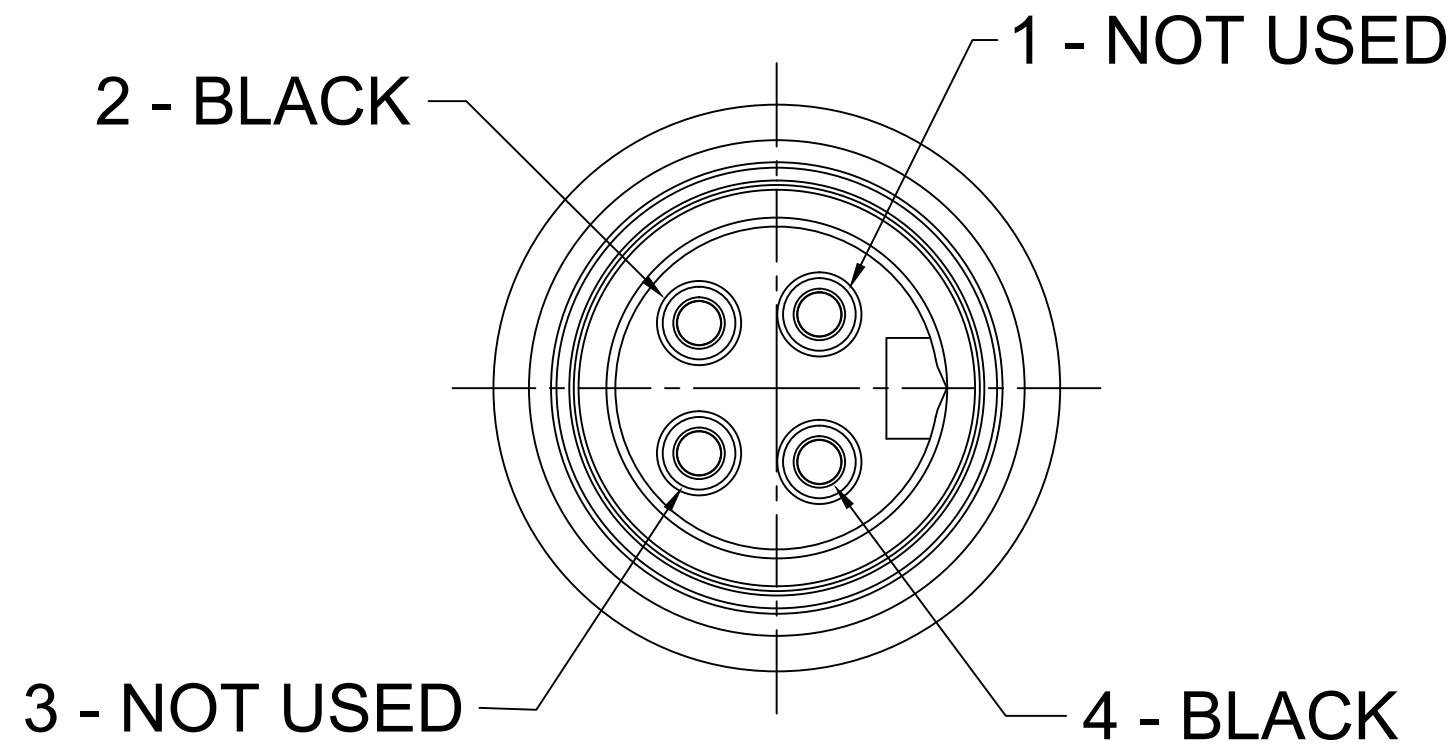
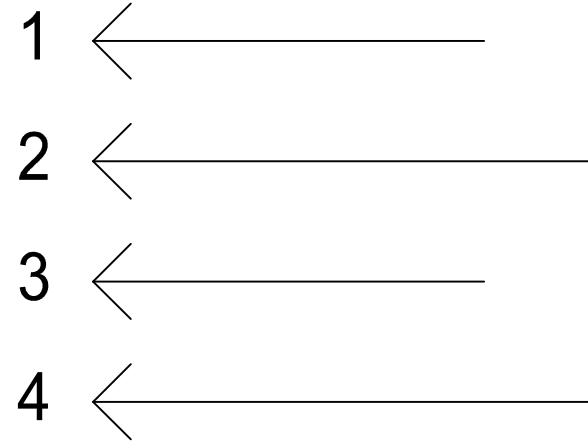


13	12	11	10	9	8	7	6	5	4	3	2	1
MATERIAL NUMBER		OLD PART NUMBER										
1300350077		DNESJ										

FRONT VIEW FEMALE INERT



SCHEMATIC:



VOLTAGE RATING	50 VAC/VDC
AMPERAGE RATING	8 AMPS
PROTECTION	IP67
OPERATING TEMPERATURE	0°C TO 60°C

COMPONENT	MATERIAL	FINISH
INSERT	TPE	YELLOW
CONTACT PIN	COPPER ALLOY	GOLD OVER NICKEL
COUPLNG NUT	ZINC DIE CAST	BLACK E-COATED
OVERMOLD	TPE	RED

RELEASE EC NO: IFC2014-0577 DRWN: GGUSTAFS 2013/10/21 CH'KD: BARDEN APPR: BWOODMAN 2013/10/31	DESCRIPTION REV	QUALITY SYMBOL	GENERAL TOLERANCES (UNLESS SPECIFIED) <table border="1"> <tr> <td></td> <td>mm</td> <td>INCH</td> </tr> <tr> <td>4 PLACES</td> <td>±---</td> <td>±---</td> </tr> <tr> <td>3 PLACES</td> <td>±---</td> <td>±.005</td> </tr> <tr> <td>2 PLACES</td> <td>±0.13</td> <td>±.010</td> </tr> <tr> <td>1 PLACE</td> <td>±0.25</td> <td>±.020</td> </tr> </table>		mm	INCH	4 PLACES	±---	±---	3 PLACES	±---	±.005	2 PLACES	±0.13	±.010	1 PLACE	±0.25	±.020	DIMENSION STYLE	SCALE	DESIGN UNITS	THIRD ANGLE PROJECTION  MINI CHANGE 4P MSPG 2-4 DNESJ  MOLEX INCORPORATED  SD-130035-015  SHEET NO. 1 OF 1
				mm	INCH																	
		4 PLACES		±---	±---																	
		3 PLACES		±---	±.005																	
		2 PLACES		±0.13	±.010																	
1 PLACE	±0.25	±.020																				
$\nabla=0$ $\nabla C=0$	IN/MM	NTS	INCH																			
	DRAWN BY	DATE	TITLE																			
	GGUSTAFS	2013/10/21																				
	CHECKED BY	DATE																				
	BARDEN	2013/11/12																				
	APPROVED BY	DATE																				
	BWOODMAN	2013/10/31																				
	MATERIAL NO.	SEE CHART	DOCUMENT NO.																			
			SD-130035-015																			
	SIZE	THIS DRAWING CONTAINS INFORMATION THAT IS PROPRIETARY TO MOLEX INCORPORATED AND SHOULD NOT BE USED WITHOUT WRITTEN PERMISSION																				
	C																					

## X-ON Electronics

Largest Supplier of Electrical and Electronic Components

*Click to view similar products for [Standard Circular Connector](#) category:*

*Click to view products by [Molex](#) manufacturer:*

Other Similar products are found below :

[C015](#) [10F006](#) [001](#) [1](#) [5M2530B10P](#) [600259N006](#) [600273N007](#) [600432N009](#) [6280-2PG-519](#) [6280-3PG-311](#) [6280-3SG-311](#) [6280-7SG-3DC](#)  
[6280-7SG-522](#) [6282-5PG-311](#) [6282-6PG-519](#) [6282-8SG-311](#) [6283-11](#) [6283-15](#) [6290](#) [6382-2PG-311](#) [6382-2PG-3DC](#) [6382-2SG-321](#) [6382-2SG-3DC](#) [6382-4SG-516](#) [67-03E20-37P](#) [681-PMG](#) [CXS3102A14S2P](#) [CXS3102A181S](#) [CXS3106A14S6S](#) [MB12P-1](#) [MB12R-6](#) [7251-2PG-300](#) [7251-2SG-300](#) [7251-4PG-300](#) [7251-4SG-300](#) [7251-5PG-300](#) [7251-5SG-300](#) [7251-6SG-300](#) [7251-7PG-300](#) [7251-8PG-300](#) [7271-6SG-300](#) [7282-3PG-300-CH3](#) [73000005663](#) [75-190216-08S](#) [75-190218-10P](#) [75-474118-10P](#) [75-474618-01S](#) [75-474620-07P](#) [799539-000](#) [MI8-SE](#) [80-190222-18P](#) [805-005-07NF11-19PC](#) [805-005-07NF15-7PA](#)