

6

5

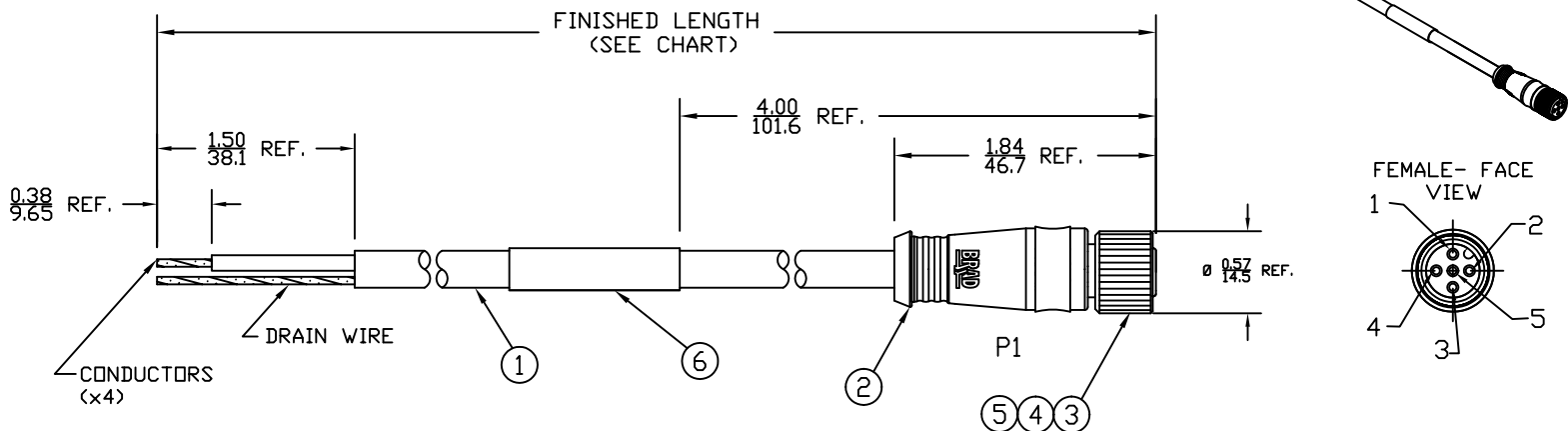
4

3

2

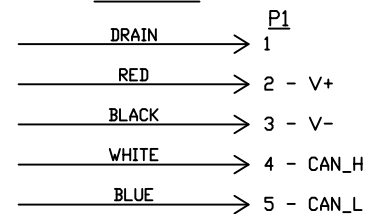
1

MATERIAL NUMBER	ENGINEERING NUMBER	FINISHED LENGTH	MATERIAL NUMBER	ENGINEERING NUMBER	FINISHED LENGTH (FT/MT)
1300270046	DND20A-M003	.98' +.75" -0 [1.3M +19.1 -0]	1300270054	DND20A-M070	22.97' +6.50" -0 [7.0M +165.1 -0]
1300270047	DND20A-M005	1.64' +1.75" -0 [1.5M +44.5 -0]	1300270055	DND20A-M080	26.25' +12.50" -0 [8.0M +317.5 -0]
1300270048	DND20A-M010	3.28' +2.19" -0 [1.0M +55.6 -0]	1300270056	DND20A-M100	32.81' +12.50" -0 [10.0M +317.5 -0]
1300270049	DND20A-M020	6.56' +3.50" -0 [2.0M +88.9 -0]	1300270057	DND20A-M150	49.21' +24.50" -0 [15.0M +622.3 -0]
1300270050	DND20A-M030	9.84' +3.50" -0 [3.0M +88.9 -0]	1300270058	DND20A-M250	82.02' +24.50" -0 [25.0M +622.3 -0]
1300270051	DND20A-M040	13.12' +6.50" -0 [4.0M +165.1 -0]	1300270158	DND20A-M300	98.43' +24.50" -0 [30.0M +622.3 -0]
1300270052	DND20A-M050	16.40' +6.50" -0 [5.0M +165.1 -0]			
1300270053	DND20A-M060	19.69' +6.50" -0 [6.0M +165.1 -0]			



- NOTES:
- 1) MATERIAL: SEE TABLE
 - 2) FINISHES: SEE TABLE
 - 3) CABLE: #22/4 + DRAIN, DEVICENET DROP EACH PAIR: SHIELDED, TWISTED OVERALL: SHIELDED, PVC
 - 4) ELECTRICAL DATA: MAX. VOLTAGE: 250V AC/DC MAX. CURRENT 4A
 - 5) ENVIRONMENTAL: PROTECTION IP67 TEMPERATURE RANGE: -20C TO 80C
 - 6) WRAP LABEL IS MARKED WITH P/N, DATE CODE, VOLTAGE & AMPERAGE.
 - 7) ASSEMBLY IS ROHS COMPLIANT.

SCHEMATIC



ITEM	QTY.	DESCRIPTION	MATERIAL	FINISH
6	1	LABEL	PLASTIC FILM	BLACK/YELLOW
5	1	INSERT	NYLON	BLACK
4	5	SOCKET CONTACT	COPPER ALLOY	GOLD PLATED
3	1	M12 COUPLING NUT	ZINC DIE-CAST	BLACK
2	1	OVERMOLD	PVC	GRAY
1	1	DEVICENET DROP CABLE	PVC JACKET	GRAY

RELEASE EC NO: WNA2010-0410 DRWN: TWOLDEGE 2010/01/06 CHKD: BWOODMAN APPR: JFMURPHY 2010/01/20	QUALITY SYMBOLS	GENERAL TOLERANCES (UNLESS SPECIFIED) <table border="1"> <thead> <tr> <th></th> <th>mm</th> <th>INCH</th> </tr> </thead> <tbody> <tr> <td>4 PLACES</td> <td>±---</td> <td>±---</td> </tr> <tr> <td>3 PLACES</td> <td>±---</td> <td>±0.005</td> </tr> <tr> <td>2 PLACES</td> <td>±0.13</td> <td>±0.010</td> </tr> <tr> <td>1 PLACE</td> <td>±0.25</td> <td>±0.020</td> </tr> </tbody> </table>		mm	INCH	4 PLACES	±---	±---	3 PLACES	±---	±0.005	2 PLACES	±0.13	±0.010	1 PLACE	±0.25	±0.020
			mm	INCH													
	4 PLACES		±---	±---													
	3 PLACES		±---	±0.005													
2 PLACES	±0.13	±0.010															
1 PLACE	±0.25	±0.020															
▽=0																	
∇=0																	
	ANGULAR ±1/2°																
A	DRAFT WHERE APPLICABLE MUST REMAIN WITHIN DIMENSIONS																

DIMENSION STYLE	SCALE	DESIGN UNITS	THIRD ANGLE PROJECTION
IN/MM	1:1	INCH	☉
DRAWN BY	DATE	TITLE	
---	---	MICRO DEVICE NET	
CHECKED BY	DATE	5-POLE FEMALE ST DROP	
BWOODMAN	---	22/4AWG W/DRAIN GRAY PVC	
APPROVED BY	DATE	MOLEX INCORPORATED	
JFMURPHY	2010/01/20		
MATERIAL NO.	DOCUMENT NO.	SHEET NO.	
---	SD-130027-007	1 OF 1	
SIZE	THIS DRAWING CONTAINS INFORMATION THAT IS PROPRIETARY TO MOLEX INCORPORATED AND SHOULD NOT BE USED WITHOUT WRITTEN PERMISSION		
A			

6

5

4

3

2

1

E

E

D

D

C

C

B

B

A

A

X-ON Electronics

Largest Supplier of Electrical and Electronic Components

Click to view similar products for [Sensor Cables / Actuator Cables](#) category:

Click to view products by [Molex](#) manufacturer:

Other Similar products are found below :

[1300070444](#) [43-10984](#) [M83513/19-F01CP](#) [704000D02F120](#) [MDM15SH001K](#) [MDM25PH003BF222](#) [802027107404-1](#) [885030A09M010](#)
[885030A09M020](#) [1200650174](#) [1200651332](#) [1200651713](#) [1200660171](#) [1200660208](#) [1200660343](#) [1200660804](#) [1200660845](#) [1200660926](#)
[1200660977](#) [1200661173](#) [1200661354](#) [120066-1712](#) [1200720053](#) [1200720099](#) [1200720153](#) [1200720172](#) [1200720217](#) [1200720226](#)
[1200720251](#) [1200720285](#) [1200720296](#) [1200720404](#) [1200730148](#) [1200730378](#) [1200800231](#) [1200860112](#) [1200860121](#) [1200860125](#)
[1200860337](#) [1200860365](#) [1200860420](#) [1200870046](#) [1200870123](#) [1200870248](#) [1200980102](#) [1200660181](#) [1200660183](#) [1200660827](#)
[1200660849](#) [1200661170](#)