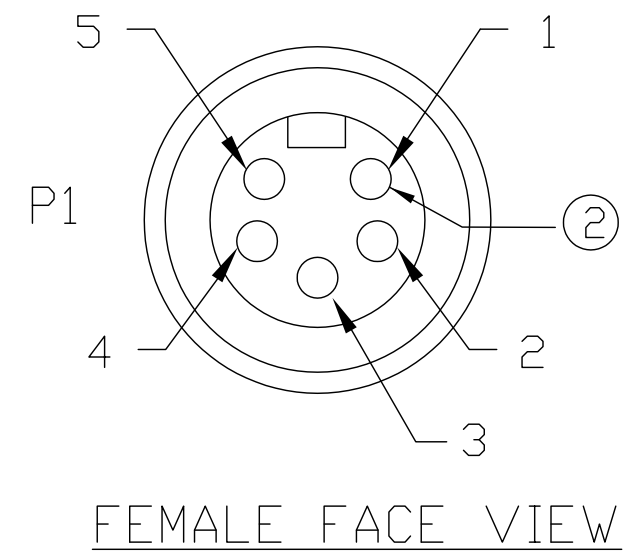
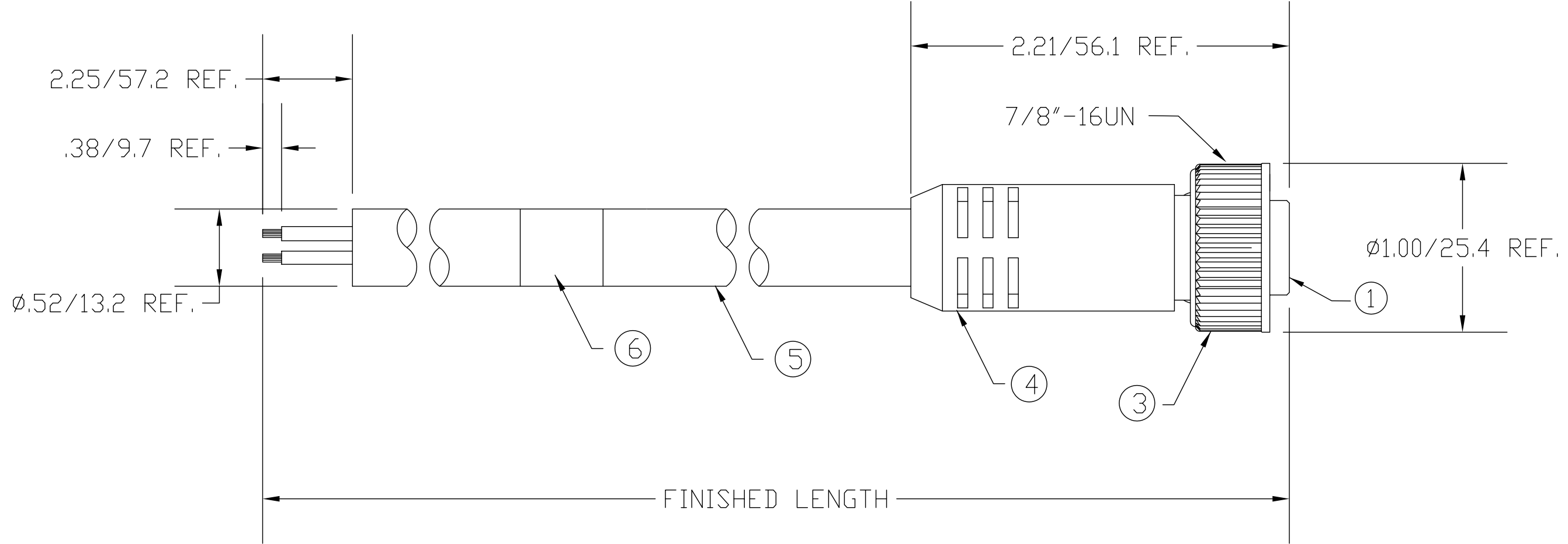
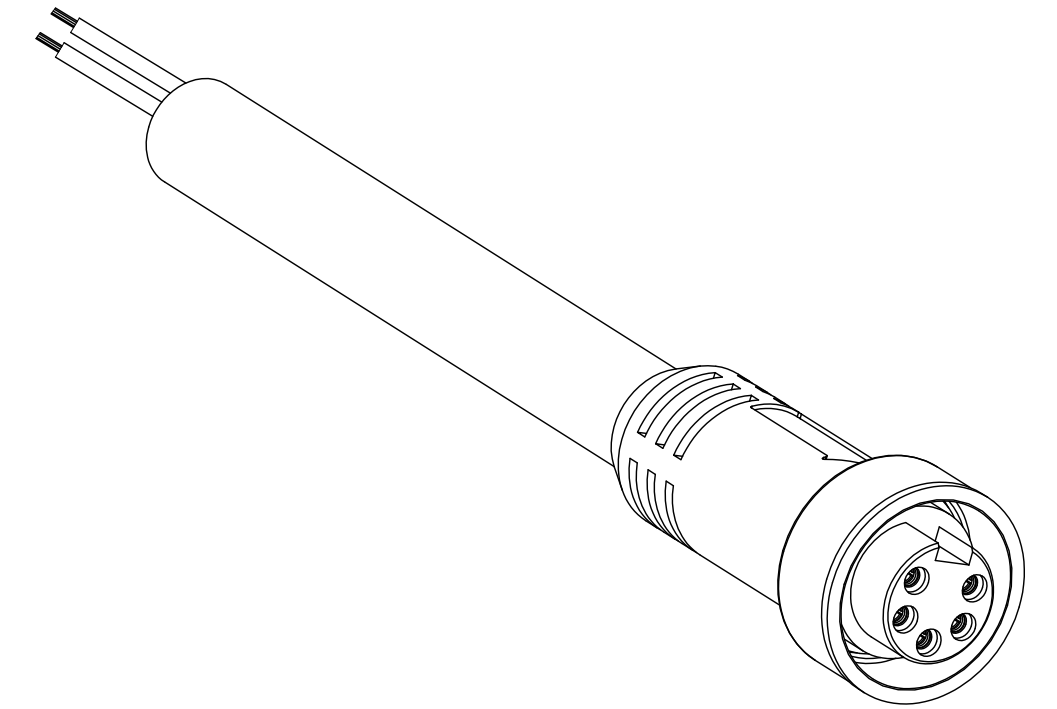


MATERIAL NUMBER	OLD PART NUMBER	FINISHED LENGTH
130006-1309	105000C01F030	3.00' +1.75" -0 [.9M +44.5 -0]
130006-1312	105000C01F060	6.00' +2.19" -0 [1.8M +55.6 -0]
130006-1314	105000C01F120	12.00' +3.50" -0 [3.7M +88.9 -0]
130006-1317	105000C01F200	20.00' +6.50" -0 [6.1M +165.1 -0]
130006-1320	105000C01F250	25.00' +12.50" -0 [7.6M +317.5 -0]



P1

1	RED WITH WHITE
2	RED
3	GREEN-GND
4	RED WITH ORANGE
5	RED WITH BLACK

WIRING DIAGRAM

VOLTAGE RATING	600 VAC/VDC
AMPERAGE RATING	8 AMPS
PROTECTION	IP67
OPERATING TEMPERATURE	-20°C TO 90°C
UL CERTIFICATIONS	UL RECOGNIZED, FILE NO. E46237
CSA CERTIFICATIONS	CSA CERTIFIED, FILE NO. LR6837

ITEM	COMPONENT	MATERIAL	FINISH
1	INSERT	PVC	YELLOW
2	CONTACT SOCKET	COPPER ALLOY	GOLD OVER NICKEL
3	COUPLING NUT	ZINC DIE CAST	BLACK E-COATED
4	OVERMOLD	PVC	YELLOW
5	CABLE- 16 AWG, (65 x #34 COPPER STRANDING) 5 CONDUCTOR 600V, UL SOO, CSA ST	RUBBER	YELLOW
6	LABEL	MYLAR	BLACK/YELLOW

RLSO DRAWING EC NO: WNA2010-0397 DRWN: BWOODMAN2009/12/28 CH'KD: LHARTMAN APPR: JFMURPHY 2010/01/05	DESCRIPTION REV A	QUALITY SYMBOL	GENERAL TOLERANCES (UNLESS SPECIFIED)	DIMENSION STYLE	SCALE	DESIGN UNITS	THIRD ANGLE PROJECTION																	
		$\nabla=0$ $\sphericalangle=0$	<table border="1"> <tr> <th></th> <th>mm</th> <th>INCH</th> </tr> <tr> <td>4 PLACES</td> <td>±---</td> <td>±---</td> </tr> <tr> <td>3 PLACES</td> <td>±---</td> <td>±.005</td> </tr> <tr> <td>2 PLACES</td> <td>±0.13</td> <td>±.010</td> </tr> <tr> <td>1 PLACE</td> <td>±0.25</td> <td>±.020</td> </tr> </table>		mm	INCH	4 PLACES	±---	±---	3 PLACES	±---	±.005	2 PLACES	±0.13	±.010	1 PLACE	±0.25	±.020	IN/MM	1:1	INCH			
			mm	INCH																				
		4 PLACES	±---	±---																				
3 PLACES	±---	±.005																						
2 PLACES	±0.13	±.010																						
1 PLACE	±0.25	±.020																						
	ANGULAR ±1/2°	<table border="1"> <tr> <td>DRAWN BY</td> <td>DATE</td> <td>TITLE</td> </tr> <tr> <td>----</td> <td>----</td> <td>MINI-CHANGE 5P FP CORDSET AUTO 16/5 AWG SOO CABLE</td> </tr> <tr> <td>CHECKED BY</td> <td>DATE</td> <td></td> </tr> <tr> <td>LH</td> <td>2009/12/28</td> <td></td> </tr> <tr> <td>APPROVED BY</td> <td>DATE</td> <td></td> </tr> <tr> <td>JFMURPHY</td> <td>2010/01/05</td> <td></td> </tr> </table>	DRAWN BY	DATE	TITLE	----	----	MINI-CHANGE 5P FP CORDSET AUTO 16/5 AWG SOO CABLE	CHECKED BY	DATE		LH	2009/12/28		APPROVED BY	DATE		JFMURPHY	2010/01/05					
DRAWN BY	DATE	TITLE																						
----	----	MINI-CHANGE 5P FP CORDSET AUTO 16/5 AWG SOO CABLE																						
CHECKED BY	DATE																							
LH	2009/12/28																							
APPROVED BY	DATE																							
JFMURPHY	2010/01/05																							
	DRAFT WHERE APPLICABLE MUST REMAIN WITHIN DIMENSIONS	<table border="1"> <tr> <td>MATERIAL NO.</td> <td>DOCUMENT NO.</td> <td>SHEET NO.</td> </tr> <tr> <td>SEE CHART</td> <td>SD-130006-022</td> <td>1 OF 1</td> </tr> </table>	MATERIAL NO.	DOCUMENT NO.	SHEET NO.	SEE CHART	SD-130006-022	1 OF 1	<table border="1"> <tr> <td>SIZE</td> <td>THIS DRAWING CONTAINS INFORMATION THAT IS PROPRIETARY TO MOLEX INCORPORATED AND SHOULD NOT BE USED WITHOUT WRITTEN PERMISSION</td> </tr> <tr> <td>C</td> <td></td> </tr> </table>	SIZE	THIS DRAWING CONTAINS INFORMATION THAT IS PROPRIETARY TO MOLEX INCORPORATED AND SHOULD NOT BE USED WITHOUT WRITTEN PERMISSION	C												
MATERIAL NO.	DOCUMENT NO.	SHEET NO.																						
SEE CHART	SD-130006-022	1 OF 1																						
SIZE	THIS DRAWING CONTAINS INFORMATION THAT IS PROPRIETARY TO MOLEX INCORPORATED AND SHOULD NOT BE USED WITHOUT WRITTEN PERMISSION																							
C																								

## X-ON Electronics

Largest Supplier of Electrical and Electronic Components

*Click to view similar products for [Sensor Cables / Actuator Cables](#) category:*

*Click to view products by [Molex](#) manufacturer:*

Other Similar products are found below :

[1300070444](#) [43-10984](#) [M83513/19-F01CP](#) [704000D02F120](#) [MDM15SH001K](#) [MDM25PH003BF222](#) [802027107404-1](#) [885030A09M010](#)  
[885030A09M020](#) [1200650174](#) [1200651332](#) [1200651713](#) [1200660171](#) [1200660208](#) [1200660343](#) [1200660804](#) [1200660845](#) [1200660926](#)  
[1200660977](#) [1200661173](#) [1200661354](#) [120066-1712](#) [1200720053](#) [1200720099](#) [1200720153](#) [1200720172](#) [1200720217](#) [1200720226](#)  
[1200720251](#) [1200720285](#) [1200720296](#) [1200720404](#) [1200730148](#) [1200730378](#) [1200800231](#) [1200860112](#) [1200860121](#) [1200860125](#)  
[1200860337](#) [1200860365](#) [1200860420](#) [1200870046](#) [1200870123](#) [1200870248](#) [1200980102](#) [1200660181](#) [1200660183](#) [1200660827](#)  
[1200660849](#) [1200661170](#)