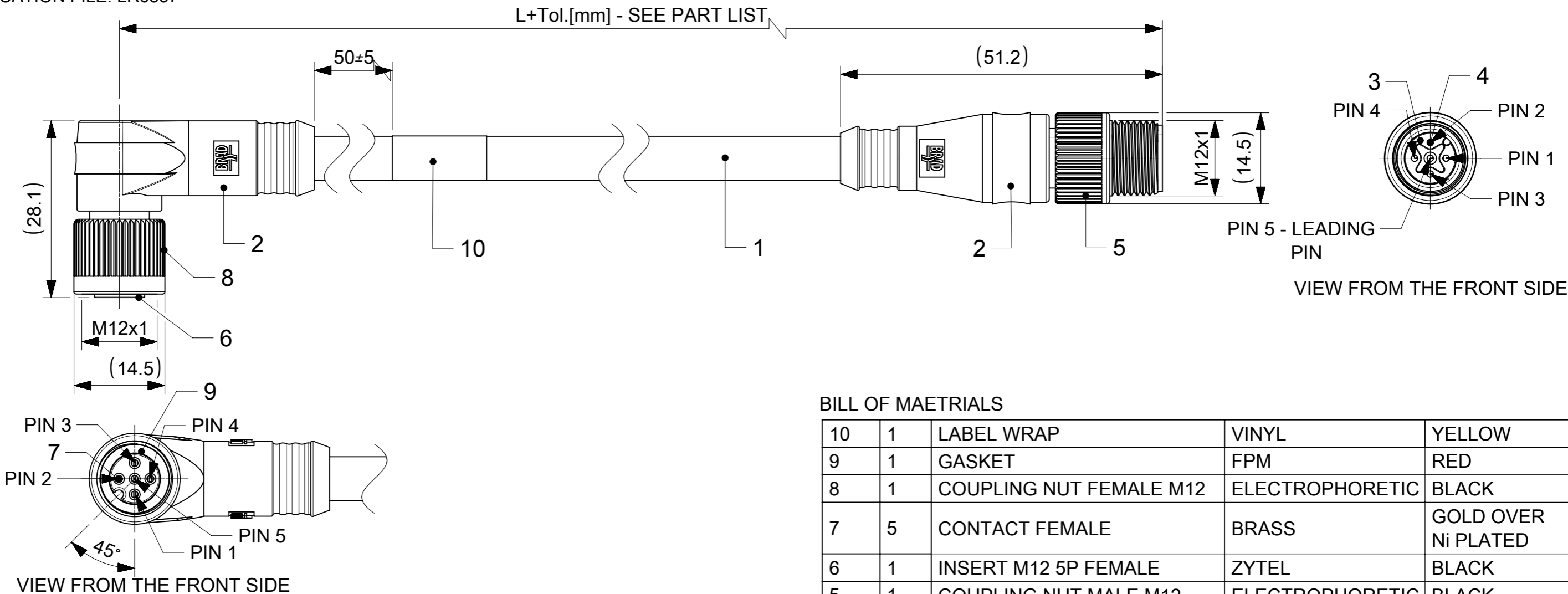
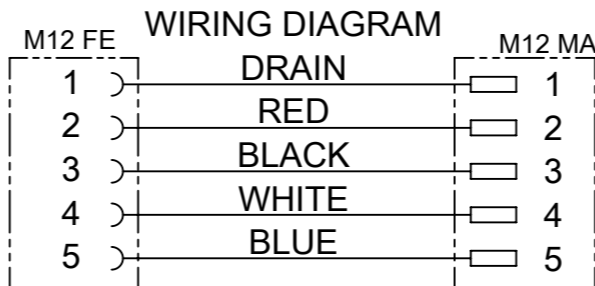


PRODUCT SPECIFICATION:

- 1. ELECTRICAL:
 - VOLTAGE RATING PER IEC 60664: 300V
 - VOLTAGE RATING PER UL: 300V
 - CURRENT: 4A
- 4. TEMP RATING: -20° TO +80°C
- 5. PROTECTION: IP67 (WHET MATED)
- 6. AGENCY:
 - UL LISTED, FILE: E152210
 - CSA CERTIFICATION FILE: LR6837



BILL OF MAETRIALS

ITEM	QTY	DESCRIPTION	MATERIAL	FINISH/COLOR
10	1	LABEL WRAP	VINYL	YELLOW
9	1	GASKET	FPM	RED
8	1	COUPLING NUT FEMALE M12	ELECTROPHORETIC	BLACK
7	5	CONTACT FEMALE	BRASS	GOLD OVER Ni PLATED
6	1	INSERT M12 5P FEMALE	ZYTEL	BLACK
5	1	COUPLING NUT MALE M12	ELECTROPHORETIC	BLACK
4	5	CONTACT MALE	BRASS	GOLD OVER Ni PLATED
3	1	INSERT M12 5P MA AC	ZYTEL	BLACK
2	-	MOULDING MATERIAL	PVC	GRAY
1	-	DROP CABLE 4x0.34mm ²	PVC	GRAY
ITEM	QTY	DESCRIPTION	MATERIAL	FINISH/COLOR

PART LIST

MOLEX PN	ENGINEERING NO	L+Tol.[mm]
1300280003	DND32A-M006	600 +45
1300280080	DND32A-M002	200 +19
1300280081	DND32A-M003	300 +19
1300280082	DND32A-M004	400 +45
1300280083	DND32A-M005	500 +45
1300280084	DND32A-M007	700 +45
1300280085	DND32A-M010	1000 +56
1300280086	DND32A-M015	1500 +56
1300280089	DND32A-M030	3000 +89
1300280091	DND32A-M050	5000 +165

THIS DRAWING CONTAINS INFORMATION THAT IS PROPRIETARY TO MOLEX ELECTRONIC TECHNOLOGIES, LLC AND SHOULD NOT BE USED WITHOUT WRITTEN PERMISSION

SYMBOLS	DIMENSION UNITS	SCALE	CURRENT REV DESC:		
▽ = 0	mm	1.5:1	EC NO: 608893		
▽ = 0	GENERAL TOLERANCES (UNLESS SPECIFIED)		DRWN: MKOWALCZYK01 2018/12/10		
▽ = 0	ANGULAR TOL ± 1.0°		CHK'D: DSTACHOWIAK 2018/12/10		
▽ = 0	4 PLACES ±		APPR: DSTACHOWIAK 2018/12/10		
▽ = 0	3 PLACES ±		INITIAL REVISION:		
▽ = 0	2 PLACES ± 0.05		DRWN: MKOWALCZYK01 2018/10/09		
▽ = 0	1 PLACE ± 0.3		APPR: MIWASIECZKO 2018/10/12		
▽ = 0	0 PLACES ± 0.5		DOCUMENT NUMBER		
□ = 0	DRAFT WHERE APPLICABLE MUST REMAIN WITHIN DIMENSIONS		THIRD ANGLE PROJECTION		DRAWING
▽ = 0			SERIES		MATERIAL NUMBER
			A3-SIZE		130028
			SEE PART LIST		CUSTOMER
			GENERAL MARKET		SHEET NUMBER
					1 OF 1

molex

MIC 5P M/FE XM 90/ST DROP

PRODUCT CUSTOMER DRAWING

1300280080

PSD 000 A1

X-ON Electronics

Largest Supplier of Electrical and Electronic Components

Click to view similar products for [Sensor Cables / Actuator Cables](#) category:

Click to view products by [Molex](#) manufacturer:

Other Similar products are found below :

[1300070444](#) [43-10984](#) [M83513/19-F01CP](#) [704000D02F120](#) [MDM15SH001K](#) [MDM25PH003BF222](#) [802027107404-1](#) [885030A09M010](#)
[885030A09M020](#) [1200650174](#) [1200651332](#) [1200651713](#) [1200660171](#) [1200660208](#) [1200660343](#) [1200660804](#) [1200660845](#) [1200660926](#)
[1200660977](#) [1200661173](#) [1200661354](#) [120066-1712](#) [1200720053](#) [1200720099](#) [1200720153](#) [1200720172](#) [1200720217](#) [1200720226](#)
[1200720251](#) [1200720285](#) [1200720296](#) [1200720404](#) [1200730148](#) [1200730378](#) [1200800231](#) [1200860112](#) [1200860121](#) [1200860125](#)
[1200860337](#) [1200860365](#) [1200860420](#) [1200870046](#) [1200870123](#) [1200870248](#) [1200980102](#) [1200660181](#) [1200660183](#) [1200660827](#)
[1200660849](#) [1200661170](#)