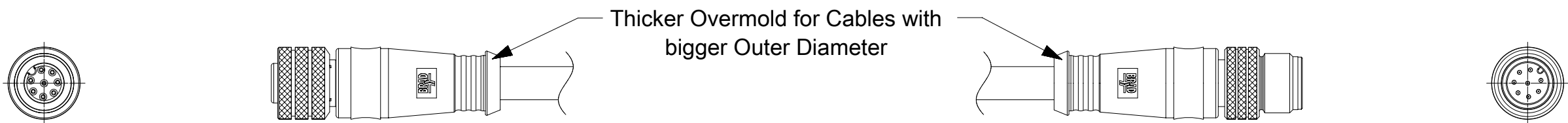
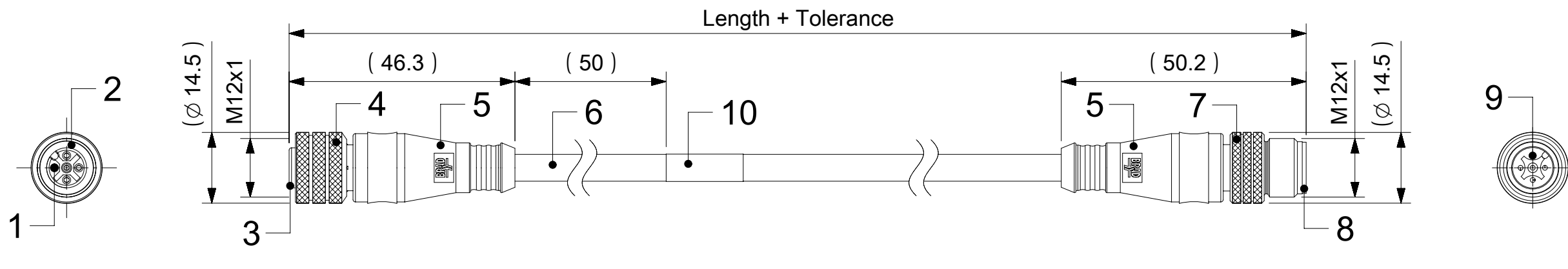


FEMALE PLUG M12 STRAIGHT TO MALE PLUG M12 STRAIGHT



NOTES:

RATED VOLTAGE: 3, 4 contacts 250V per IEC 60664
 5 contacts 60V per IEC 60664
 5 contacts 250V per UL 2238
 8 contacts 30V per IEC 60664

RATED CURRENT: 3, 4, 5 contacts 4A
 8 contacts 2A

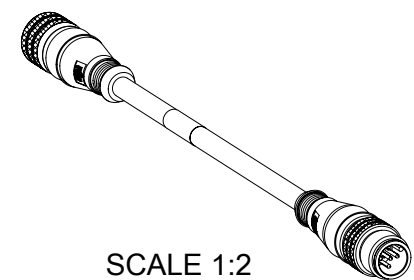
PROTECTION CLASS: IP 67

TEMPERATURE: -25°C / +85°C

CONTACTS POSITION FRONT VIEW:

	3 CONTACTS		4 CONTACTS		5 CONTACTS		8 CONTACTS	
FEMALE								
MALE								
CONNECTIONS	PIN	WIRE	PIN	WIRE	PIN	WIRE	PIN	WIRE
	1	BROWN	1	BROWN	1	BROWN	1	WHITE
	2	---	2	WHITE	2	WHITE	2	BROWN
	3	BLUE	3	BLUE	3	BLUE	3	GREEN
	4	BLACK	4	BLACK	4	BLACK	4	YELLOW
			5	---	5	GREY OR GREEN/YELLOW	5	GREY
							6	PINK
							7	BLUE
						8	RED	

CODING REQUIRED TO IEC 61076-2-101



SCALE 1:2

FOR OPTIONS SEE - NUMERICAL CODE - ON SHEET 2

ITEM	QTY.	DESCRIPTION	MATERIAL	FINISH
10	1	LABEL YELLOW	VINYL	---
	-	PRINTING FOR CABLES lxx	---	---
9	3 / 4 / 5 / 8	CONTACT MALE	BRASS	SELECTIVE Au OVER Ni
8	1	INSERT MALE BLACK	TPU	---
7	1	COUPLING NUT MALE	BRASS	NICKEL
6	-	CABLE	SEE SHEET 2	---
5	-	OVERMOULDING BLACK	TPU	---
4	1	COUPLING NUT FEMALE	BRASS	NICKEL
3	1	INSERT FEMALE BLACK	PUR	---
2	1	ORING RED	FPM	---
1	3 / 4 / 5 / 8	CONTACT FEMALE	BRASS	SELECTIVE Au OVER Ni

THIS DRAWING CONTAINS INFORMATION THAT IS PROPRIETARY TO MOLEX ELECTRONIC TECHNOLOGIES, LLC AND SHOULD NOT BE USED WITHOUT WRITTEN PERMISSION

DIMENSION UNITS	SCALE	CURRENT REV DESC:	molex	
mm	1:1			
GENERAL TOLERANCES (UNLESS SPECIFIED)			CSE M12 XP AC FE STR MA STR XM DE	
ANGULAR TOL	± 1.0°	EC NO: 606310	PRODUCT CUSTOMER DRAWING	
4 PLACES	±	DRWN: SSM 2018/10/12	DOCUMENT NUMBER	
3 PLACES	±	CHK'D: SSM 2018/10/22	1200668165	
2 PLACES	± 0.05	APPR: RSILLER 2018/10/22	DOC TYPE	DOC PART
1 PLACE	± 0.3	INITIAL REVISION:	PSD	000
0 PLACES	± 0.5	DRWN: JMARSZALEK 2016/09/19	A2	
DRAFT WHERE APPLICABLE MUST REMAIN WITHIN DIMENSIONS		APPR: RSILLER 2016/12/08	SHEET NUMBER	1 OF 6
THIRD ANGLE PROJECTION		DRAWING	SERIES	MATERIAL NUMBER
		A3-SIZE	120066	SEE PART LIST
		CUSTOMER	GENERAL MARKET	

ENGINEERING NO. - NUMERICAL CODE (Available parts see PART LIST table. Other parts available upon request).

8 8 X 0 3 0 X X X X X X X X

OPTIONS

88=Micro-Change
M12x1
Double ended

Contacts:
3=3 Contacts
4=4 Contacts
5=5 Contacts
8=8 Contacts

Heads style:
030=Plug Female Straight
to Plug Male Straight

Cable type: See Table

Units:
M=Meter

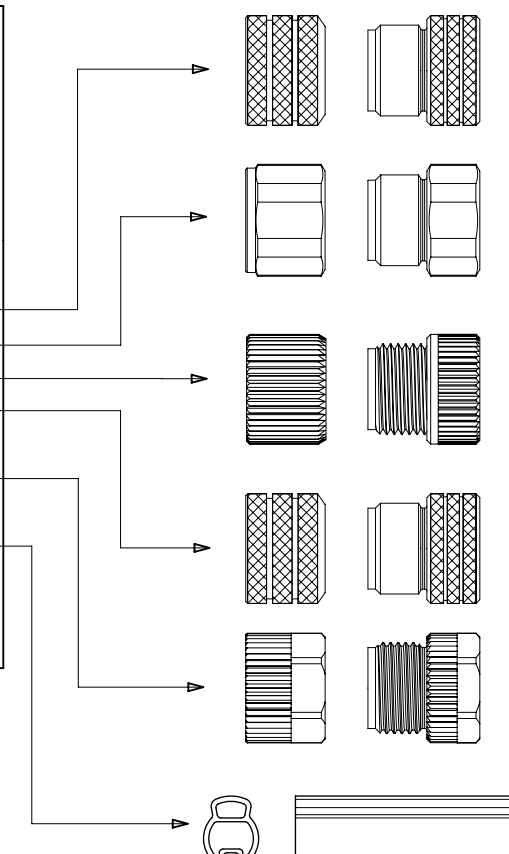
Length
Examples:
005=0.5 unit
010=1 unit
100=10 units

Coupling Nut:
Blank (Standard)=Knurled Brass Ni Plated
1=Hexagonal Stainless steel
5=Knurled Derlin
7=Knurled Brass Ni Plated, Teflon Coated
Blank=7 for cables I20, I26, K03, K05, P82, S26
9=Knurled / Hexagonal Brass Ni Plated SW13

H= 2 pcs. of I/D Carrier PVC Transparent
(Cables Ixx & P82 always with 2 pcs. of
I/D Carrier even if no H in Engineering No.)

Overmold color:
Blank (Standard)=Black TPU
Blank=Yellow PVC for cables
A09, S19, S20, S26
Blank=Yellow TPE-E for cables
K03, K05
A=Grey / G=Black / Y=Yellow

COUPLING NUT
FEMALE MALE



CABLE LENGTH TOLERANCES

OVER	UP TO AND INCLUDING	TOLERANCES
0	305mm	+19mm
305mm	915mm	+45mm
915mm	1830mm	+56mm
1830mm	3660mm	+89mm
3660mm	7320mm	+165mm
7320mm	14640mm	+317mm
14640mm	30500mm	+610mm
30500mm	>	+2% of finished length

THIS DRAWING CONTAINS INFORMATION THAT IS PROPRIETARY TO MOLEX ELECTRONIC TECHNOLOGIES, LLC AND SHOULD NOT BE USED WITHOUT WRITTEN PERMISSION									
DIMENSION UNITS mm		SCALE 1:1		CURRENT REV DESC:				molex	
GENERAL TOLERANCES (UNLESS SPECIFIED)				EC NO: 606310					
ANGULAR TOL ± 1.0°				DRWN: SSM 2018/10/12				CSE M12 XP AC FE STR MA STR XM DE	
4 PLACES ±				CHK'D: SSM 2018/10/22				PRODUCT CUSTOMER DRAWING	
3 PLACES ±				APPR: RSILLER 2018/10/22				DOCUMENT NUMBER	
2 PLACES ± 0.05				INITIAL REVISION:				1200668165	
1 PLACE ± 0.3				DRWN: JMARSZALEK 2016/09/19				DOC TYPE	
0 PLACES ± 0.5				APPR: RSILLER 2016/12/08				PSD	
DRAFT WHERE APPLICABLE MUST REMAIN WITHIN DIMENSIONS				THIRD ANGLE PROJECTION		DRAWING		SHEET NUMBER	
				A3-SIZE		SERIES		2 OF 6	
				120066		MATERIAL NUMBER		GENERAL MARKET	
				SEE PART LIST		CUSTOMER			

CABLE INFORMATION(for more information see Cable Data Sheet).

CABLE TYPE	NO. OF WIRES	CROSS SECTION	CABLE JACKET	UL	CSA	STATIC: TEMP. / BENDING RADIUS	DYNAMIC: TEMP. / BENDING RADIUS	DRAG CHAIN	SHIELD
A09	4	22AWG	PVC YELLOW	UL 2661	I/II A/B 80°C/300V	-	-	-	-
B02	4	18AWG	PUR YELLOW	UL 20549	I/II A/B 80°C/300V	-	-	-	-
E02	3 / 4 / 5 / 8	0.25mm ²	PVC BLACK	UL 2464/1729	C22.2 I/II A/B 80°C/300V	-30°C to +80°C, 10xO.D.	-10°C to +80°C, 15xO.D.	-	-
E03	3 / 4 / 5	0.34mm ²	PVC BLACK	UL 2464/1729	C22.2 I/II A/B 80°C/300V	-30°C to +80°C, 10xO.D.	-10°C to +80°C, 15xO.D.	-	-
E52	3 / 4	0.34mm ²	PVC GREY	-	-	-30°C to +70°C	-5°C to +70°C	-	-
E57	5	0.34mm ²	PVC GREY	-	-	-	-5°C to +70°C	-	-
H09	3 / 4 / 5	0.34mm ²	PUR BLACK LS0H	UL 21198/10493	C22.2 I/II A/B 80°C/300V	-40°C to +80°C, 5xO.D.	-25°C to +80°C, 10xO.D.	2 000 000 cycles at 20°C, Temp. range +5°C to +60°C	-
I02	3 / 4 / 8	0.25mm ²	PVC CEI GREY	-	-	-30°C to +70°C	-5°C to +70°C	-	-
I03	3 / 4 / 5	0.34mm ²	PVC CEI GREY	-	-	-30°C to +70°C	-5°C to +70°C	-	-
I20	3 / 4	0.34mm ²	PVC CEI GREY	-	-	-30°C to +70°C	-5°C to +70°C	-	YES
I26	5	0.34mm ²	PVC CEI GREY	-	-	-30°C to +70°C	-5°C to +70°C	-	YES
K03	4 / 5	18AWG	TPE YELLOW	UL ITC or PLC	I/II A/B 90°C/300V	max 105°C	-	-	-
K05	3 / 4 / 5	22AWG	TPE YELLOW	UL ITC or PLTC	I/II A/B 90°C/300V	max 105°C	-	-	-
P03	3 / 4 / 5	0.34mm ²	PUR / PVC BLACK	-	-	-30°C to +80°C, >7xO.D.	-5°C to +80°C, >15xO.D.	-	-
P04	4	0.50mm ²	PUR BLACK	-	-	-40°C to +90°C, >7.5xO.D.	-15°C to +90°C, >12.5xO.D.	-	-
P19	8	0.25mm ²	PUR BLACK	-	-	-40°C to +90°C, >7.5xO.D.	-15°C to +90°C, >12.5xO.D.	2 000 000 cycles, >15xO.D.	YES
P20	3 / 4 / 5	0.34mm ²	PUR BLACK LS0H	-	-	-30°C to +80°C	-	-	YES
P82	3 / 4 / 5	0.34mm ²	PUR IRR ORANGE	-	-	-50°C to +105°C, >5xO.D.	-40°C to +105°C, >7.5xO.D.	-	-
S19	8	0.25mm ²	PVC YELLOW	UL 2661/1569	C22.2 II A 105°C/300V	-30°C to +105°C, >10xO.D.	-15°C to +105°C, >15xO.D.	-	YES
S20	3 / 4 / 5	0.34mm ²	PVC YELLOW	UL 2661/1731	C22.2 II A 105°C/300V	-30°C to +105°C	-	-	YES
S26	5	0.34mm ²	PVC YELLOW	UL 2661/1731	C22.2 II A 105°C/300V	-30°C to +105°C	-	-	YES

THIS DRAWING CONTAINS INFORMATION THAT IS PROPRIETARY TO MOLEX ELECTRONIC TECHNOLOGIES, LLC AND SHOULD NOT BE USED WITHOUT WRITTEN PERMISSION										
DIMENSION UNITS	SCALE	CURRENT REV DESC:				molex				
mm	1:1									
GENERAL TOLERANCES (UNLESS SPECIFIED)		EC NO: 606310				CSE M12 XP AC FE STR MA STR XM DE				
ANGULAR TOL ± 1.0°		DRWN: SSM 2018/10/12								
4 PLACES ±		CHK'D: SSM 2018/10/22				PRODUCT CUSTOMER DRAWING				
3 PLACES ±		APPR: RSILLER 2018/10/22								
2 PLACES ± 0.05		INITIAL REVISION:				DOCUMENT NUMBER				
1 PLACE ± 0.3		DRWN: JMARSZALEK 2016/09/19				1200668165				
0 PLACES ± 0.5		APPR: RSILLER 2016/12/08				DOC TYPE		DOC PART		REVISION
DRAFT WHERE APPLICABLE MUST REMAIN WITHIN DIMENSIONS		THIRD ANGLE PROJECTION		DRAWING	SERIES	MATERIAL NUMBER		CUSTOMER		SHEET NUMBER
				A3-SIZE	120066	SEE PART LIST		GENERAL MARKET		3 OF 6


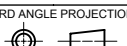
PART LIST

No.	Part No.	Engineering No.	Cable Length
1	1200070023	884030S20M060H	6m
2	1200070095	883030I03M003	0.3m
3	1200070096	883030I03M006	0.6m
4	1200070097	883030I03M010	1m
5	1200070098	883030I03M020	2m
6	1200070099	883030I03M030	3m
7	1200070100	883030I03M050	5m
8	1200070101	883030I03M100	10m
9	1200070110	883030S20M010	1m
10	1200070111	883030S20M020	2m
11	1200070480	884030I03M010	1m
12	1200070481	884030I03M020	2m
13	1200070483	884030I03M050	5m
14	1200070484	884030I03M060	6m
15	1200070485	884030I03M100	10m
16	1200070494	884030P82M0057	0.5m
17	1200070499	884030S20M020	2m
18	1200070500	884030S20M030	3m
19	1200070502	884030S20M050	5m
20	1200070504	884030S20M100	10m
21	1200070597	885030S26M010	1m
22	1200070653	884030E52M200A	20m
23	1200070774	884030I03M006	0.6m
24	1200070785	884030I03M030	3m
25	1200070798	884030P82M010	1m
26	1200070799	884030P82M020	2m
27	1200070867	884030E52M100A	10m
28	1200070890	885030I26M010	1m
29	1200070891	885030I26M020	2m
30	1200070892	885030I26M030	3m
31	1200070937	884030P82M100	10m
32	1200070956	883030E52M020A	2m
33	1200070961	885030I03M030	3m
34	1200071026	884030E52M010A	1m
35	1200071035	884030S20M010H	1m
36	1200071066	884030P82M0067	0.6m
37	1200071067	884030P82M0037	0.3m
38	1200071068	884030P82M0107	1m
39	1200071069	884030P82M0157	1.5m
40	1200071088	884030P82M0207	2m
41	1200071137	884030S20M030H	3m
42	1200071141	884030S20M020H	2m
43	1200071161	884030S20M100H	10m
44	1200071162	884030P82M006	0.6m
45	1200071178	884030S20M006H	0.6m
46	1200071188	884030S20M050H	5m
47	1200071237	884030S20M005H	0.5m

No.	Part No.	Engineering No.	Cable Length
48	1200071238	884030S20M015H	1.5m
49	1200071254	884030P82M050	5m
50	1200071264	884030S20M040H	4m
51	1200071272	884030S20M005	0.5m
52	1200071279	885030I26M050	5m
53	1200071338	884030I20M030	3m
54	1200071343	883030E52M003A	0.3m
55	1200071428	884030P82M0407	4m
56	1200071501	884030P82M003	0.3m
57	1200071580	884030P82M030	3m
58	1200071582	884030P82M015	1.5m
59	1200071624	884030E52M030A	3m
60	1200071627	884030I03M0205	2m
61	1200071647	884030P82M0307	3m
62	1200072106	885030I26M005	0.5m
63	1200072359	885030I26M015	1.5m
64	1200072601	884030P82M0201	2m
65	1200658167	884030P82M0807	8m
66	1200658808	884030P04M100	10m
67	1200660271	884030A09M020	2m
68	1200660273	884030A09M0208	2m
69	1200660277	884030A09M030	3m
70	1200660286	884030A09M0508	5m
71	1200660291	884030A09M070	7m
72	1200660683	884030K05M003	0.3m
73	1200660684	884030K05M005	0.5m
74	1200660686	884030K05M006	0.6m
75	1200660687	884030K05M010	1m
76	1200660688	884030K05M015	1.5m
77	1200660689	884030K05M020	2m
78	1200660690	884030K05M030	3m
79	1200660691	884030K05M040	4m
80	1200660692	884030K05M050	5m
81	1200660693	884030K05M060	6m
82	1200660694	884030K05M080	8m
83	1200660695	884030K05M100	10m
84	1200660696	884030K05M120	12m
85	1200660697	884030K05M150	15m
86	1200660698	884030K05M180	18m
87	1200660699	884030K05M230	23m
88	1200660700	884030K05M300	30m
89	1200660857	884030B02M020	2m
90	1200660860	884030B02M030	3m
91	1200660862	884030B02M050	5m
92	1200660867	884030B02M100	10m
93	1200660878	884030K03M003	0.3m
94	1200660880	884030K03M006	0.6m

No.	Part No.	Engineering No.	Cable Length
95	1200660881	884030K03M010	1m
96	1200660883	884030K03M020	2m
97	1200660887	884030K03M030	3m
98	1200660891	884030K03M040	4m
99	1200660895	884030K03M050	5m
100	1200660898	884030K03M060	6m
101	1200660899	884030K03M070	7m
102	1200660900	884030K03M080	8m
103	1200660901	884030K03M090	9m
104	1200660902	884030K03M100	10m
105	1200660904	884030K03M120	12m
106	1200660905	884030K03M140	14m
107	1200660906	884030K03M150	15m
108	1200660907	884030K03M160	16m
109	1200660909	884030K03M200	20m
110	1200660911	884030K03M250	25m
111	1200660915	884030K05M070	7m
112	1200660918	884030K05M140	14m
113	1200660921	884030K05M200	20m
114	1200660922	884030K05M210	21m
115	1200661034	885030K03M010	1m
116	1200661035	885030K03M020	2m
117	1200661036	885030K03M030	3m
118	1200661038	885030K03M050	5m
119	1200661042	885030K03M090	9m
120	1200661043	885030K03M100	10m
121	1200661044	885030K03M150	15m
122	1200661434	884030E52M020A	2m
123	1200661438	884030K05M250	25m
124	1200661441	884030K05M190	19m
125	1200661472	884030E52M050A	5m
126	1200661543	884030K03M180	18m
127	1200661574	888030S19M120	12m
128	1200661575	888030S19M030	3m
129	1200661576	888030S19M050	5m
130	1200661577	888030S19M100	10m
131	1200661664	885030K03M005	0.5m
132	1200661685	885030K03M120	12m

No.	Part No.	Engineering No.	Cable Length
133	1200661906	884030K03M500	50m
134	1200665012	885030P82M0307	3m
135	1200665368	884030K05M280	28m
136	1200668001	884030K03M110	11m
137	1200668003	884030K03M005	0.5m
138	1200668004	884030K03M240	24m
139	1200668067	884030P82M0507	5m
140	1200668068	884030S20M010	1m
141	1200668082	885030I26M006	0.6m
142	1200668090	885030S26M020H	2m
143	1200668098	888030P19M010	1m
144	1200668099	888030P19M050	5m
145	1200668165	885030I03M100	10m
146	1200668172	883030S20M050	5m
147	1200668187	884030P82M050H	5m
148	1200668252	888030P19M030	3m
149	1200668281	885030I26M025	2.5m
150	1200668310	883030S20M005	0.5m
151	1200668349	884030P82M0101	1m
152	1200668371	883030I03M040	4m
153	1200668372	884030I03M040	4m
154	1200668505	884030P20M010	1m
155	1200668506	884030P20M020	2m
156	1200668507	884030P20M050	5m
157	1200668508	884030P20M100	10m
158	1200668517	884030P82M1007	10m
159	1200668615	884030K05M050H	5m
160	1200668616	884030K05M100H	10m
161	1200668632	883030I03M020Y	2m
162	1200668633	883030I03M030Y	3m
163	1200668634	883030I03M050Y	5m
164	1200668637	884030I03M020Y	2m
165	1200668638	884030I03M100Y	10m
166	1200668639	885030I26M010Y	1m
167	1200668640	885030I26M020Y	2m
168	1200668641	885030I26M030Y	3m
169	1200668642	885030I03M030Y	3m
170	1200668643	884030P82M0067Y	0.6m

THIS DRAWING CONTAINS INFORMATION THAT IS PROPRIETARY TO MOLEX ELECTRONIC TECHNOLOGIES, LLC AND SHOULD NOT BE USED WITHOUT WRITTEN PERMISSION									
DIMENSION UNITS		SCALE		CURRENT REV DESC:					
mm		1:1							
GENERAL TOLERANCES (UNLESS SPECIFIED)				EC NO: 606310				CSE M12 XP AC FE STR MA STR XM DE	
ANGULAR TOL ± 1.0°				DRWN: SSM 2018/10/12					
4 PLACES ±				CHK'D: SSM 2018/10/22				PRODUCT CUSTOMER DRAWING	
3 PLACES ±				APPR: RSILLER 2018/10/22					
2 PLACES ± 0.05				INITIAL REVISION:				DOCUMENT NUMBER	
1 PLACE ± 0.3				DRWN: JMARSZALEK 2016/09/19					
0 PLACES ± 0.5				APPR: RSILLER 2016/12/08				1200668165	
DRAFT WHERE APPLICABLE MUST REMAIN WITHIN DIMENSIONS		THIRD ANGLE PROJECTION		DRAWING		SERIES		MATERIAL NUMBER	
				A3-SIZE		120066		SEE PART LIST	
				CUSTOMER		SHEET NUMBER		GENERAL MARKET	
						4 OF 6			


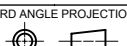
PART LIST

No.	Part No.	Engineering No.	Cable Length
171	1200668644	884030P82M0107Y	1m
172	1200668645	884030P82M0207Y	2m
173	1200668696	883030I03M030A	3m
174	1200668697	883030I03M050A	5m
175	1200668698	883030I03M100A	10m
176	1200668699	883030I03M200A	20m
177	1200668735	884030P82M0707Y	7m
178	1200668736	885030I26M015Y	1.5m
179	1200668773	885030P82M0107	1m
180	1200668873	885030I26M050Y	5m
181	1200669113	884030A09M0308	3m
182	1200669118	884030P82M0307Y	3m
183	1200669149	883030I03M010Y	1m
184	1200669218	885030I03M100Y	10m
185	1200669227	884030K05M500	50m
186	1200669228	884030K05M600	60m
187	1200718014	884030P82M0607	6m
188	1200060049	884030E03M050	5m
189	1200060050	884030P03M015	1.5m
190	1200060051	884030P03M030	3m
191	1200070081	883030E03M006	0.6m
192	1200070083	883030E03M010	1m
193	1200070085	883030E03M020	2m
194	1200070086	883030E03M0205	2m
195	1200070088	883030E03M030	3m
196	1200070091	883030E03M050	5m
197	1200070092	883030E03M0505	5m
198	1200070093	883030E03M100	10m
199	1200070102	883030P03M003	0.3m
200	1200070104	883030P03M006	0.6m
201	1200070105	883030P03M100	10m
202	1200070470	884030E03M003	0.3m
203	1200070472	884030E03M006	0.6m
204	1200070473	884030E03M010	1m
205	1200070474	884030E03M020	2m
206	1200070475	884030E03M030	3m
207	1200070476	884030E03M100	10m
208	1200070486	884030P03M003	0.3m
209	1200070487	884030P03M006	0.6m
210	1200070488	884030P03M010	1m
211	1200070489	884030P03M020	2m
212	1200070490	884030P03M050	5m
213	1200070586	885030E03M030	3m
214	1200070906	885030E03M010	1m
215	1200070969	885030E03M050	5m
216	1200070970	885030E03M020	2m

No.	Part No.	Engineering No.	Cable Length
217	1200071006	883030E03M020H	2m
218	1200071029	884030P03M100	10m
219	1200071047	883030P03M050H	5m
220	1200071053	883030P03M150	15m
221	1200071114	883030P03M020H	2m
222	1200071122	883030P03M030H	3m
223	1200071123	883030P03M010H	1m
224	1200071131	883030P03M0201	2m
225	1200071199	884030E03M200	20m
226	1200071273	883030P03M100H	10m
227	1200071288	883030P03M060	6m
228	1200071500	885030E03M005	0.5m
229	1200071583	885030E03M080	8m
230	1200071594	884030E03M015	1.5m
231	1200071596	884030E03M060	6m
232	1200071703	884030E03M0205	2m
233	1200071707	884030E03M0505	5m
234	1200071715	884030E03M150	15m
235	1200071774	884030E03M020H	2m
236	1200071793	884030E03M1501	15m
237	1200071881	884030E03M1005	10m
238	1200071947	885030P03M007	0.7m
239	1200071948	885030E03M040	4m
240	1200072010	884030P03M050H	5m
241	1200072081	885030E03M035	3.5m
242	1200072092	884030E03M040	4m
243	1200072104	883030P03M040	4m
244	1200072105	884030P03M200	20m
245	1200072172	884030E03M050H	5m
246	1200072544	884030E03M120	12m
247	1200072649	884030P03M0105	1m
248	1200072650	884030P03M0505	5m
249	1200072658	883030P03M120	12m
250	1200072697	885030E03M060	6m
251	1200072744	884030E03M0501	5m
252	1200072762	884030P03M0101	1m
253	1200072763	884030P03M0201	2m
254	1200072764	884030P03M0301	3m
255	1200072803	884030P03M040	4m
256	1200072804	884030P03M060	6m
257	1200073083	885030P03M006	0.6m
258	1200660166	883030A09M010	1m
260	1200660261	884030A09M005	0.5m
261	1200660262	884030A09M006	0.6m
262	1200660266	884030A09M010	1m

No.	Part No.	Engineering No.	Cable Length
263	1200660269	884030A09M015	1.5m
264	1200660294	884030A09M080	8m
265	1200660299	884030A09M1008	10m
266	1200660434	885030A09M050	5m
267	1200660498	883030P03M010	1m
268	1200660500	883030P03M020	2m
269	1200660501	883030P03M030	3m
270	1200660502	883030P03M050	5m
272	1200661037	885030K03M040	4m
273	1200661039	885030K03M060	6m
274	1200661041	885030K03M080	8m
275	1200661684	885030K03M300	30m
276	1200661686	885030K03M180	18m
277	1200661687	885030K03M230	23m
278	1200665009	884030E03M005	0.5m
279	1200665031	884030P03M100H	10m
280	1200665370	884030P03M205G	20m
281	1200668045	883030P03M005	0.5m
282	1200668062	884030E03M010H	1m
283	1200668081	885030E57M100A	10m
284	1200668083	885030P03M005	0.5m
285	1200668084	885030P03M010	1m
286	1200668174	884030H09M030	3m
287	1200668197	883030H09M020	2m
288	1200668198	883030H09M050	5m
289	1200668208	883030E03M150	15m
290	1200668234	884030H09M020	2m
291	1200668244	884030H09M050	5m
292	1200668293	883030D02M005	0.5m
293	1200668338	885030E03M006	0.6m
294	1200668347	885030E03M100	10m
295	1200668370	883030E03M040	4m
296	1200668373	883030H09M006	0.6m
297	1200668374	883030H09M010	1m
298	1200668375	883030H09M030	3m
299	1200668376	883030H09M040	4m
300	1200668377	883030H09M100	10m

No.	Part No.	Engineering No.	Cable Length
301	1200668378	884030H09M006	0.6m
302	1200668379	884030H09M010	1m
303	1200668380	884030H09M040	4m
304	1200668381	884030H09M100	10m
305	1200668384	884030P03M010H	1m
306	1200668486	884030H09M023	2.3m
307	1200668487	885030E03M200	20m
308	1200668497	885030H09M010	1m
309	1200668500	885030H09M020	2m
310	1200668501	885030H09M050	5m
311	1200668502	885030H09M092	9.2m
312	1200668509	885030H09M006	0.6m
313	1200668510	885030H09M030	3m
314	1200668511	885030H09M100	10m
315	1200668521	885030E03M250	25m
316	1200668528	885030E03M020H	2m
317	1200668530	885030E03M010H	1m
318	1200668548	884030H09M006H	0.6m
319	1200668549	884030H09M010H	1m
320	1200668550	884030H09M050H	5m
321	1200668609	885030E02M050	5m
322	1200668646	883030P03M030HY	3m
323	1200668652	885030E03M070	7m
324	1200668656	885030E02M100	10m
325	1200668657	885030E02M020	2m
326	1200668661	884030E02M0031	0.3m
327	1200668662	883030E02M006	0.6m
328	1200668664	885030E02M010	1m
329	1200668672	884030E03M0051	0.5m
330	1200668674	885030E03M150	15m
331	1200668683	885030H09M150	15m
332	1200668684	885030H09M200	20m
333	1200668687	884030P03M005	0.5m
334	1200668689	884030H08M030	3m
335	1200668690	883030P03M020YH	2m
336	1200668691	883030P03M010YH	1m
337	1200668708	885030E02M050Y	5m
338	1200668712	883030P03M100HY	10m

THIS DRAWING CONTAINS INFORMATION THAT IS PROPRIETARY TO MOLEX ELECTRONIC TECHNOLOGIES, LLC AND SHOULD NOT BE USED WITHOUT WRITTEN PERMISSION									
DIMENSION UNITS		SCALE		CURRENT REV DESC:					
mm		1:1							
GENERAL TOLERANCES (UNLESS SPECIFIED)				EC NO: 606310				CSE M12 XP AC FE STR MA STR XM DE	
ANGULAR TOL ± 1.0°				DRWN: SSM 2018/10/12					
4 PLACES ±				CHK'D: SSM 2018/10/22				PRODUCT CUSTOMER DRAWING	
3 PLACES ±				APPR: RSILLER 2018/10/22					
2 PLACES ± 0.05				INITIAL REVISION:				DOCUMENT NUMBER	
1 PLACE ± 0.3				DRWN: JMARSZALEK 2016/09/19					
0 PLACES ± 0.5				APPR: RSILLER 2016/12/08				1200668165	
DRAFT WHERE APPLICABLE MUST REMAIN WITHIN DIMENSIONS		THIRD ANGLE PROJECTION		DRAWING		SERIES		MATERIAL NUMBER	
				A3-SIZE		120066		SEE PART LIST	
						CUSTOMER		SHEET NUMBER	
						GENERAL MARKET		5 OF 6	

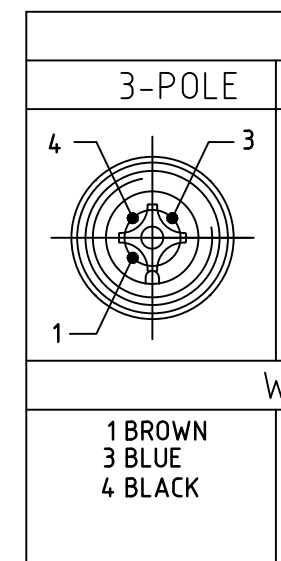
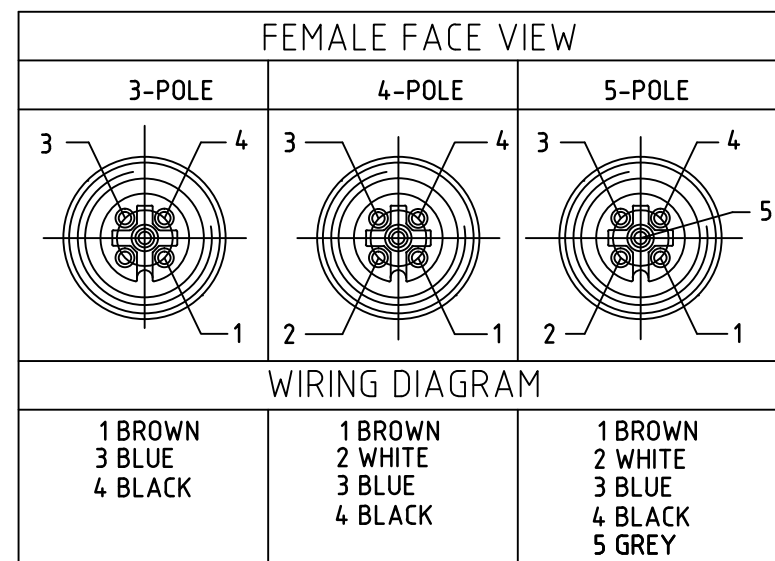
PART LIST

No.	Part No.	Engineering No.	Cable Length
339	1200668713	883030P03M050HY	5m
340	1200668714	884030H09M0209	2m
341	1200668715	884030H09M003	0.3m
342	1200668718	884030E03M250	25m
343	1200668719	884030E03M300	30m
344	1200668720	884030P03M150	15m
345	1200668721	884030P03M250	25m
346	1200668722	884030P03M300	30m
347	1200668723	884030P03M350	35m
348	1200668724	884030P03M400	40m
349	1200668737	884030H09M055	5.5m
350	1200668754	884030P03M020H	2m
351	1200668770	884030E03M350	35m
352	1200668771	884030E03M400	40m
353	1200668772	885030P03M003	0.3m
354	1200668784	885030E03M300	30m
355	1200668785	885030E03M350	35m
356	1200668786	884030E03M070	7m
357	1200668794	885030P03M006H	0.6m
358	1200668795	885030P03M010H	1m
359	1200668815	884030P03M0805	8m
360	1200668903	885030P03C130	0.13m
361	1200668972	885030E03M003	0.3m
362	1200668973	885030E03M025	2.5m
363	1200668980	885030E03M080H	8m
364	1200668981	885030E03M040H	4m
365	1200668982	885030E03M060H	6m
366	1200668985	885030E03M030H	3m
367	1200669134	883030H09M015	1.5m
368	1200669135	883030H09M200	20m
369	1200669153	883030E03M0101	1m
370	1200669350	883030H09M030H	3m
371	1200669423	884030E03M025	2.5m
372	1200669424	884030E03M035	3.5m
373	1200669499	883030E03M080	8m
374	1200669500	883030E03M120	12m
375	1200669501	883030E03M140	14m
376	1200669502	883030E03M160	16m
377	1200669503	883030E03M180	18m
378	1200669508	884030E03M080	8m
379	1200669509	884030E03M140	14m
380	1200669510	884030E03M160	16m
381	1200669511	883030E03M060	6m

THIS DRAWING CONTAINS INFORMATION THAT IS PROPRIETARY TO MOLEX ELECTRONIC TECHNOLOGIES, LLC AND SHOULD NOT BE USED WITHOUT WRITTEN PERMISSION									
DIMENSION UNITS		SCALE		CURRENT REV DESC:				molex	
mm		1:1							
GENERAL TOLERANCES (UNLESS SPECIFIED)				EC NO: 606310 DRWN: SSM 2018/10/12 CHK'D: SSM 2018/10/22 APPR: RSILLER 2018/10/22				CSE M12 XP AC FE STR MA STR XM DE	
ANGULAR TOL ± 1.0°									
4 PLACES ±				INITIAL REVISION:				DOCUMENT NUMBER	
3 PLACES ±									
2 PLACES ± 0.05				DRWN: JMARSZALEK 2016/09/19 APPR: RSILLER 2016/12/08				1200668165	
1 PLACE ± 0.3									
0 PLACES ± 0.5				DRAWING		SERIES		CUSTOMER	
DRAFT WHERE APPLICABLE MUST REMAIN WITHIN DIMENSIONS				THIRD ANGLE PROJECTION		A3-SIZE		GENERAL MARKET	
				SHEET NUMBER		6 OF 6			

DOCUMENT STATUS	P1	RELEASE DATE	2018/10/22	12:08:11
-----------------	----	--------------	------------	----------

G
F
E
D
C
B
A



CONNECTOR SPECIFICATION:

VOLTAGE RATING 3 - 4 PIN	250V per IEC 60664
VOLTAGE RATING 5 PIN	60V per IEC 60664 250V per UL 2238
AMPERAGE RATING	max. 4 AMPS
PROTECTION	IP67
OPERATING TEMPERATURE	-20°C TO 105°C
ASSEMBLY IS RoHS COMPLIANT	

88X030K0

POLES

3
4
5

ITEM	COMPONENT	MATERIAL	FINISH
7	LABLE	MYLAR	BLACK/YELLOW
6	O-RING	VITON	RED
5	COUPLER	BRASS	TEFLON/NICKEL
4	SOCKET/PIN CONTACT	COPPER ALLOY	GOLD OVER NICKEL
3	INSERT	PUR	BLACK
2	OVERMOLD	TPE	YELLOW
1	CABLE- #18/3-5 (COPPER STRANDING) 3/4/5 CONDUCT. 300V	JACKET: TPE	JACKET: YELLOW

ADD MATRIX EC NO: IPG2017-0318 DRWN: BBRAUCH 2016/09/21 CH'KD: RSILLER 2016/09/21 APPR: RSILLER 2010/02/03	DESCRIPTION 	GENERAL TOLERANCES (UNLESS SPECIFIED)		DIMENSION STYLE IN/MM		
			mm	INCH	DRAWN BY	DATE
		4 PLACES	±---	±---	LSTEMMLE	2010/02
		3 PLACES	±---	±.005	CHECKED BY	DATE
2 PLACES	±0.13	±.010	TWOLDEGE	2010/02		
1 PLACE	±0.25	±.020	APPROVED BY	DATE		
ANGULAR ±.5°			FPACHER 2010/02			
DRAFT WHERE APPLICABLE MUST REMAIN WITHIN DIMENSIONS			MATERIAL NO. SEE MATRIX			
B2			SIZE C	THIS DRAWING INCORPORATED		

13 12 11 10 9 8 7 6 5 4

X-ON Electronics

Largest Supplier of Electrical and Electronic Components

Click to view similar products for [Sensor Cables / Actuator Cables](#) category:

Click to view products by [Molex](#) manufacturer:

Other Similar products are found below :

[1300070444](#) [43-10984](#) [M83513/19-F01CP](#) [704000D02F120](#) [MDM15SH001K](#) [MDM25PH003BF222](#) [802027107404-1](#) [885030A09M010](#)
[885030A09M020](#) [1200650174](#) [1200651332](#) [1200651713](#) [1200660171](#) [1200660208](#) [1200660343](#) [1200660804](#) [1200660845](#) [1200660926](#)
[1200660977](#) [1200661173](#) [1200661354](#) [120066-1712](#) [1200720053](#) [1200720099](#) [1200720153](#) [1200720172](#) [1200720217](#) [1200720226](#)
[1200720251](#) [1200720285](#) [1200720296](#) [1200720404](#) [1200730148](#) [1200730378](#) [1200800231](#) [1200860112](#) [1200860121](#) [1200860125](#)
[1200860337](#) [1200860365](#) [1200860420](#) [1200870046](#) [1200870123](#) [1200870248](#) [1200980102](#) [1200660181](#) [1200660183](#) [1200660827](#)
[1200660849](#) [1200661170](#)