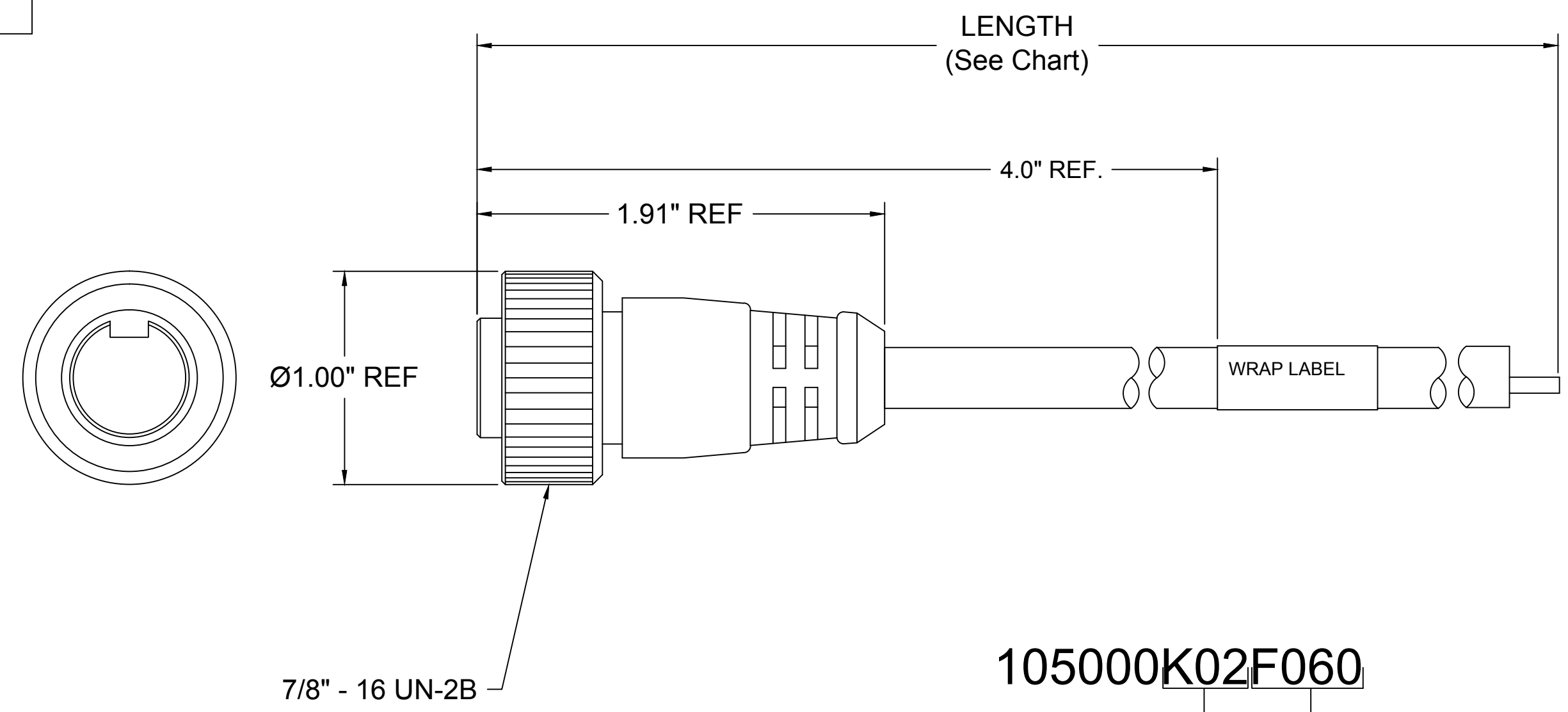


MATERIAL #	ENGINEERING #	LENGTH
1300061330	105000K02F060	6.0FT (+3.50" / -0)
1300061334	105000K02F120	12.0FT (+6.50" / -0)
1300061339	105000K02F200	20.0FT (+6.50" / -0)
1300061342	105000K02F300	30.0FT (+12.50" / -0)
1300062314	105000K02M050	5.0M (+165.1mm / -0)
1300062315	105000K02M100	10.0M (+317.5mm / -0)
1300061344	105000K02M200	20.0M (+622.3mm / -0)



105000K02F060

cable type
18/5C AWG
TPE YELLOW

cable length
060----6 FEET
120----12 FEET

SPECS:
 OVERMOLD: YELLOW PVC
 INSERTS: YELLOW PVC
 CONTACTS: COPPER ALLOY, GOLD OVER NICKEL
 COUPLING NUTS: ZINC DIECAST W/ BLACK 'E' COAT
 CABLE: #18-5 YELLOW TPE
 TORSIONAL FLEX: 10 MILLION CYCLES
 BEND FLEX: 10 MILLION CYCLES
 BENDING RADIUS: 10 x CABLE DIAMETER
 ELECTRICAL: 300V AC/DC, 5.6A
 TEMPERATURE: -20°C TO 105°C
 PROTECTION: IP67
 CSA CERTIFIED: FILE NO. LR6837
 ASSEMBLY IS RoHS COMPLIANT

EC NO: BWOODMAN DRWN: GGUSTAFS 2014/12/23 CHKD: BARDEN 2015/02/17 APPR: BWOODMAN 2015/01/15 REV A	QUALITY SYMBOL ▽=0 ▽C=0	GENERAL TOLERANCES (UNLESS SPECIFIED) mm INCH 4 PLACES ±--- ±--- 3 PLACES ±--- ±.005 2 PLACES ±.13 ±.010 1 PLACE ±.25 ±--- ANGULAR ±.5° DRAFT WHERE APPLICABLE MUST REMAIN WITHIN DIMENSIONS	DIMENSION STYLE INCH ONLY DRAWN BY DATE GGUSTAFS 2014/12/23 CHECKED BY DATE BARDEN 2015/02/17 APPROVED BY DATE BWOODMAN 2015/01/15 MATERIAL NO. SEE CHART SIZE C	SCALE NTS DESIGN UNITS INCH THIRD ANGLE PROJECTION TITLE BRAD CONNECTIVITY MINI-CHANGE A-SIZE 5P- FEMALE STRAIGHT- TPE MOLEX INCORPORATED DOCUMENT NO. SD-130006-072 SHEET NO. 1 OF 1
	THIS DRAWING CONTAINS INFORMATION THAT IS PROPRIETARY TO MOLEX INCORPORATED AND SHOULD NOT BE USED WITHOUT WRITTEN PERMISSION			

X-ON Electronics

Largest Supplier of Electrical and Electronic Components

Click to view similar products for [Sensor Cables / Actuator Cables](#) category:

Click to view products by [Molex](#) manufacturer:

Other Similar products are found below :

[1300070444](#) [43-10984](#) [M83513/19-F01CP](#) [704000D02F120](#) [MDM15SH001K](#) [MDM25PH003BF222](#) [802027107404-1](#) [885030A09M010](#)
[885030A09M020](#) [1200650174](#) [1200651332](#) [1200651713](#) [1200660171](#) [1200660208](#) [1200660343](#) [1200660804](#) [1200660845](#) [1200660926](#)
[1200660977](#) [1200661173](#) [1200661354](#) [120066-1712](#) [1200720053](#) [1200720099](#) [1200720153](#) [1200720172](#) [1200720217](#) [1200720226](#)
[1200720251](#) [1200720285](#) [1200720296](#) [1200720404](#) [1200730148](#) [1200730378](#) [1200800231](#) [1200860112](#) [1200860121](#) [1200860125](#)
[1200860337](#) [1200860365](#) [1200860420](#) [1200870046](#) [1200870123](#) [1200870248](#) [1200980102](#) [1200660181](#) [1200660183](#) [1200660827](#)
[1200660849](#) [1200661170](#)