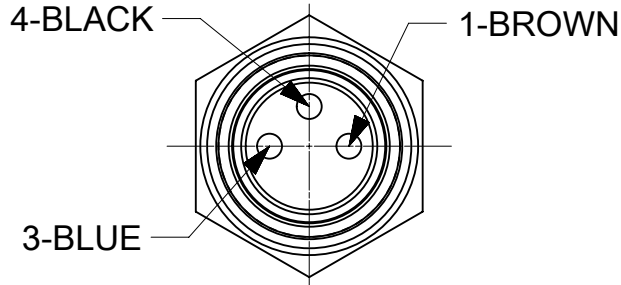
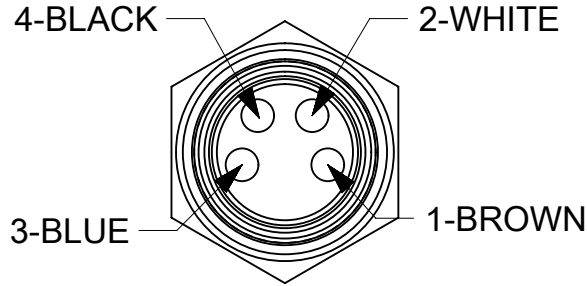


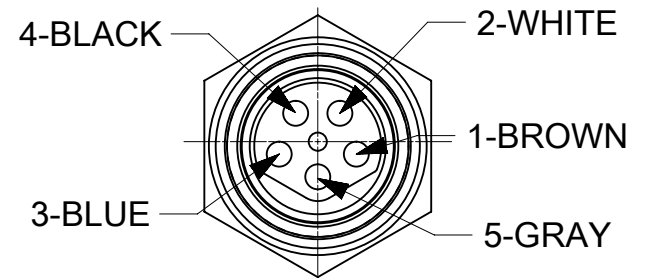
M8 3POLE MALE



M8 4POLE MALE



M8 5POLE MALE

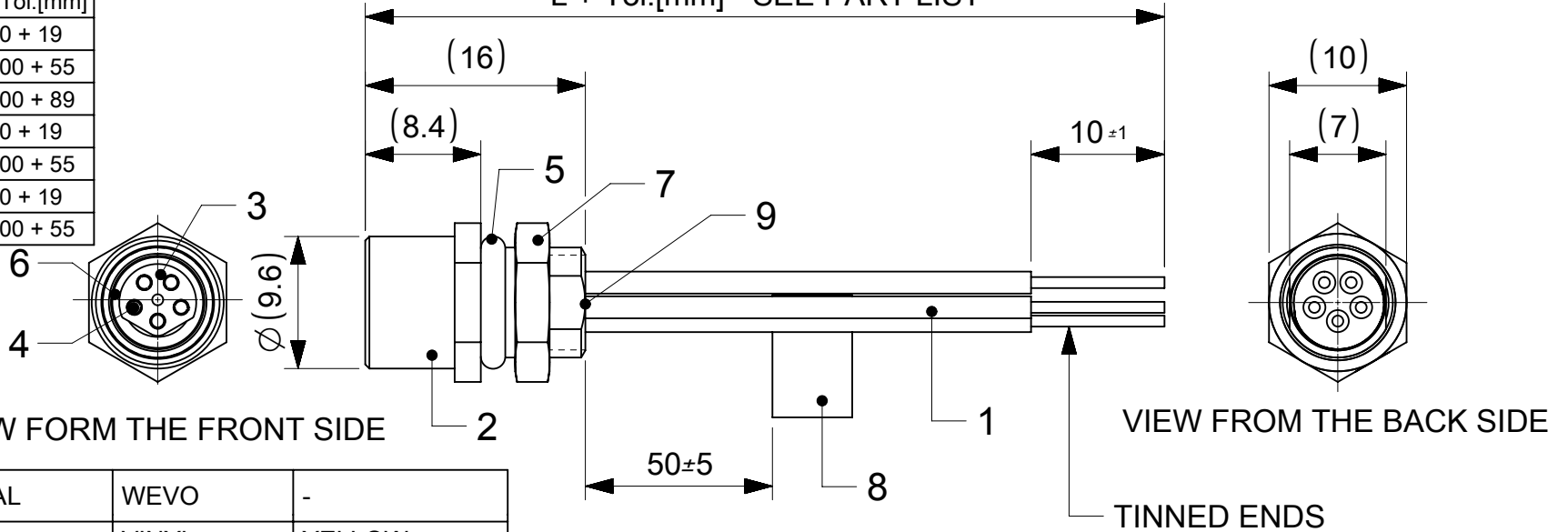


VIEWS FROM THE FRONT SIDE

PART LIST

MOLEX PN	ENGINEERING PN	L+Tol.[mm]
1200900016	4R3P00A27C300	300 + 19
1200900018	4R3P00A27M010	1000 + 55
1200900019	4R3P00A27M020	2000 + 89
1200900029	4R4P00A27C300	300 + 19
1200900031	4R4P00A27M010	1000 + 55
1200900037	4R5P00A27C300	300 + 19
1200900076	4R5P00A27M010	1000 + 55

L + Tol.[mm] - SEE PART LIST



VIEW FORM THE FRONT SIDE

VIEW FROM THE BACK SIDE

TINNED ENDS

BOM

ITEM	QTY	DESCRIPTION	MATERIAL	FINISH/COLOR
9	-	POTTING MATERIAL	WEVO	-
8	1	LABEL	VINYL	YELLOW
7	1	LOCKNUT M8X0.5	BRASS	NICKEL PLATED
6	1	GASKET	FKM	RED
5	1	O-RING	NBR	BLACK
4	3/4/5	CONTACT 10 FE	BRONZE	GOLD OVER NICKEL PLATED
3	1	INSERT M8 FE XP	ELASTOLLAN	BLACK
2	1	REC SHELL M8(FE)XM8(M)	BRASS	NICKEL PLATED
1	-	WIRES;24AWG;OD=1.43mm	PVC	-

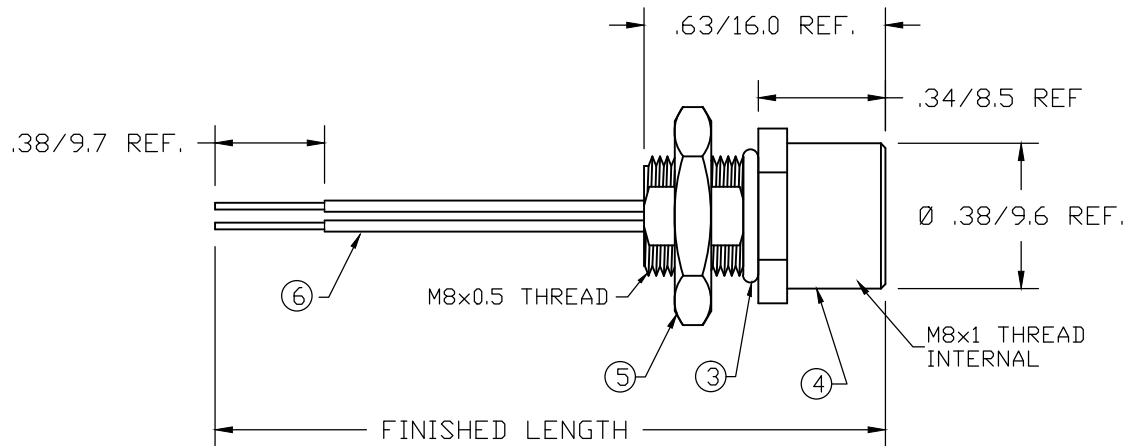
THIS DRAWING CONTAINS INFORMATION THAT IS PROPRIETARY TO MOLEX ELECTRONIC TECHNOLOGIES, LLC AND SHOULD NOT BE USED WITHOUT WRITTEN PERMISSION											
DIMENSION UNITS		SCALE		CURRENT REV DESC:							
mm		2:1		EC NO: 605345							
GENERAL TOLERANCES (UNLESS SPECIFIED)				DRWN: MKOWALCZYK01 2018/10/02							
ANGULAR TOL ± 1.0°				CHK'D: MIWASIECZKO 2018/10/03							
4 PLACES ±				APPR: MIWASIECZKO 2018/10/03							
3 PLACES ±				INITIAL REVISION:							
2 PLACES ± 0.05				DRWN: MKOWALCZYK01 2018/10/02							
1 PLACE ± 0.3				APPR: MIWASIECZKO 2018/10/03							
0 PLACES ± 0.5				DOCUMENT NUMBER		DOC TYPE		DOC PART		REVISION	
DRAFT WHERE APPLICABLE MUST REMAIN WITHIN DIMENSIONS				1200908076		PSD		000		A	
THIRD ANGLE PROJECTION		DRAWING		SERIES		MATERIAL NUMBER		CUSTOMER		SHEET NUMBER	
A4-SIZE		120090		SEE PART LIST		GENERAL MARKET		1 OF 1			

molex

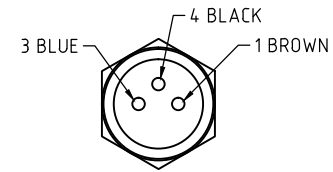
NC XP F/FR XM M8 X 0.5

PRODUCT CUSTOMER DRAWING

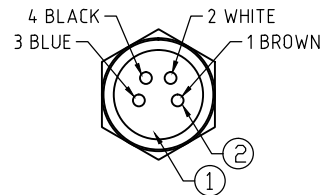
MATERIAL NUMBER	OLD PART NUMBER	FINISHED LENGTH
120090-0016	4R3P00A27C300	11.81" +.75" -0 [1.3M +19.1 -0]
120090-0018	4R3P00A27M010	3.28' +2.19" -0 [1.0M +55.6 -0]
120090-0029	4R4P00A27C300	11.81" +.75" -0 [1.3M +19.1 -0]
120090-0031	4R4P00A27M010	3.28' +2.19" -0 [1.0M +55.6 -0]
120090-0037	4R5P00A27C300	11.81" +.75" -0 [1.3M +19.1 -0]



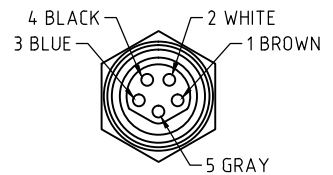
3 POLE FEMALE FACE VIEW



4 POLE FEMALE FACE VIEW



5 POLE FEMALE FACE VIEW



VOLTAGE RATING FOR 3 AND 4 POLE	60 VAC/ 75 VDC
VOLTAGE RATING FOR 5 POLE	30 VAC/VDC
AMPERAGE RATING FOR 3 AND 4 POLE	3 AMPS
AMPERAGE RATING FOR 5 POLE	3 AMPS
PROTECTION	IP67
OPERATING TEMPERATURE	-20°C TO 105°C
UL CERTIFICATIONS	UL LISTED, FILE NO. E152210
CSA CERTIFICATIONS	CSA CERTIFIED, FILE NO. LR6837

ITEM	COMPONENT	MATERIAL	FINISH
1	INSERT	POLYURETHANE	BLACK
2	CONTACT PIN	COPPER ALLOY	GOLD OVER NICKEL
3	O-RING	NITRILE	BLACK
4	RECEPTACLE SHELL	BRASS	NICKEL PLATED
5	LOCKNUT	BRASS	NICKEL PLATED
6	CONDUCTOR- 24 AWG, (.22mm) COPPER STRANDING) 3 CONDUCTOR	PVC	SEE WIRING DIAGRAM

RLSO DRAWING EC NO: WEU2012-0155 DRWN: VOU CHKD: KJOZWIK APPR: JFMURPHY 2009/08/28 11/10/11	QUALITY SYMBOLS ▽=0 ▽C=0
--	--------------------------------

GENERAL TOLERANCES (UNLESS SPECIFIED)	
	mm INCH
4 PLACES	±-- ±---
3 PLACES	±-- ±.005
2 PLACES	±.15 ±.01
1 PLACE	±0.3 ±.020
ANGULAR ±1/2°	
DRAFT WHERE APPLICABLE MUST REMAIN WITHIN DIMENSIONS	

DIMENSION STYLE		SCALE	DESIGN UNITS	THIRD ANGLE PROJECTION
IN/MM		2:1	METRIC	☉
DRAWN BY	DATE	TITLE		
BW	2009/08/26	M8 FEMALE RECEPTACLE 3-5P M8X0.5 MOUNTING THD		
CHECKED BY	DATE	-----		
LH	2009/08/26	MOLEX INCORPORATED		
APPROVED BY	DATE	DOCUMENT NO.		
JFMURPHY	2009/08/28	SD-120090-009		
MATERIAL NO.	SEE CHART		SHEET NO.	
A	THIS DRAWING CONTAINS INFORMATION THAT IS PROPRIETARY TO MOLEX INCORPORATED AND SHOULD NOT BE USED WITHOUT WRITTEN PERMISSION		1 OF 1	

6

5

4

3

2

1

X-ON Electronics

Largest Supplier of Electrical and Electronic Components

Click to view similar products for [Sensor Cables / Actuator Cables](#) category:

Click to view products by [Molex](#) manufacturer:

Other Similar products are found below :

[1300070444](#) [43-10984](#) [M83513/19-F01CP](#) [704000D02F120](#) [MDM15SH001K](#) [MDM25PH003BF222](#) [802027107404-1](#) [885030A09M010](#)
[885030A09M020](#) [1200650174](#) [1200651332](#) [1200651713](#) [1200660171](#) [1200660208](#) [1200660343](#) [1200660804](#) [1200660845](#) [1200660926](#)
[1200660977](#) [1200661173](#) [1200661354](#) [120066-1712](#) [1200720053](#) [1200720099](#) [1200720153](#) [1200720172](#) [1200720217](#) [1200720226](#)
[1200720251](#) [1200720285](#) [1200720296](#) [1200720404](#) [1200730148](#) [1200730378](#) [1200800231](#) [1200860112](#) [1200860121](#) [1200860125](#)
[1200860337](#) [1200860365](#) [1200860420](#) [1200870046](#) [1200870123](#) [1200870248](#) [1200980102](#) [1200660181](#) [1200660183](#) [1200660827](#)
[1200660849](#) [1200661170](#)