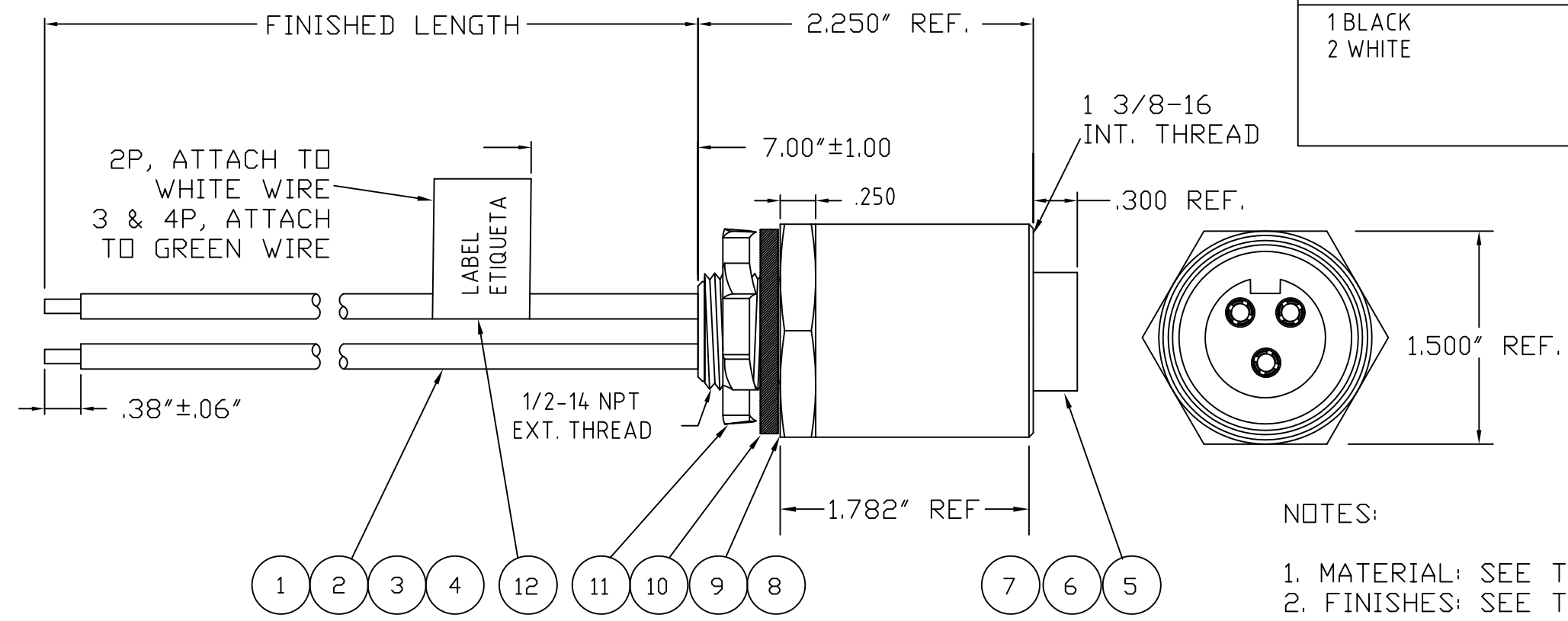
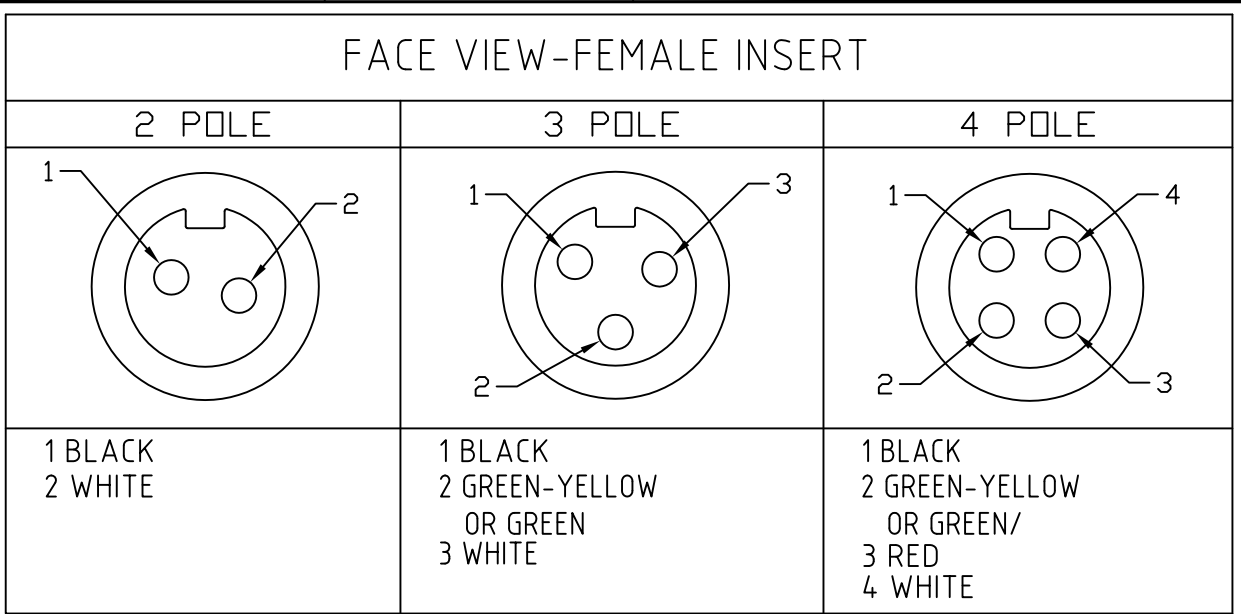


MATERIAL NUMBER	ENGINEERING NUMBER	FINISHED LENGTH
1300660108	CR3000A29A120	12 Inches
1300660209	CR3000A29M020	2 Meters
1300660148	CR4000A29M003	0.3 Meters



- NOTES:
1. MATERIAL: SEE TABLE
 2. FINISHES: SEE TABLE
 3. ELECTRICAL SPECIFICATIONS:
2 & 3 POLE- 600 VOLTS 25 AMPS
4 POLE- 600 VOLTS 20 AMPS
 4. ASSEMBLY IS ROHS COMPLIANT
 5. ASSEMBLY IS UL LISTED PER UL 2238, CATEGORY CYJV

12	1	FLAG LABEL	VINYL	YELLOW
11	1	1/2-14 NPT LOCKNUT	STEEL	ZINC PLATE
10	1	GASKET	NEOPRENE	BLACK
9	A/R	EPOXY HARDENER		BLACK
8	A/R	EPOXY RESIN		BLACK
7	1	RECEPTACLE SHELL	ALUMINUM ALLOY	CLEAR ANODIZED
6	1	FEMALE INSERT 2P, 3P OR 4P	PVC	BLACK
5	2, 3 OR 4	SOCKET CONTACT	COPPER ALLOY	GOLD PLATED
4	A/R	#12-1 WIRE PVC RED	PVC JACKET	RED
3	A/R	#12-1 WIRE PVC GREEN	PVC JACKET	GREEN
2	A/R	#12-1 WIRE PVC WHITE	PVC JACKET	WHITE
1	A/R	#12-1 WIRE PVC BLACK	PVC JACKET	BLACK
ITEM	QTY	DESCRIPTION	MATERIAL	FINISH

EC NO: WNA2010-0503 DRWN: KJOZWK 2/11/10 CHKD: LHARTMAN APPR: JFMURPHY 2010/03/29	DESCRIPTION REV	QUALITY SYMBOLS	GENERAL TOLERANCES (UNLESS SPECIFIED) mm INCH 4 PLACES ±--- ±--- 3 PLACES ±--- ±--- 2 PLACES ±--- ±--- 1 PLACE ±--- ±--- ANGULAR ±1/2°	DIMENSION STYLE	SCALE	DESIGN UNITS	THIRD ANGLE PROJECTION	
		▽=0 ▽=0		INCH	----	INCH		
				DRAFT WHERE APPLICABLE MUST REMAIN WITHIN DIMENSIONS	DRAWN BY: MODELL DATE: 2008/09/10 CHECKED BY: RDEROSS DATE: 2008/09/10 APPROVED BY: JFMURPHY DATE: 2010/03/29	TITLE	QC FEMALE 12 AWG 1/2" NPT RECPT 3 POLE	
					MATERIAL NO. SEE TABLE SIZE B	DOCUMENT NO. SD-130066-013 SHEET NO. 1 OF 1	MOLEX INCORPORATED	

THIS DRAWING CONTAINS INFORMATION THAT IS PROPRIETARY TO MOLEX INCORPORATED AND SHOULD NOT BE USED WITHOUT WRITTEN PERMISSION

X-ON Electronics

Largest Supplier of Electrical and Electronic Components

Click to view similar products for [Specialized Cables](#) category:

Click to view products by [Molex](#) manufacturer:

Other Similar products are found below :

[585P5S5S](#) [603PT6](#) [603SS6L](#) [604PT6](#) [604SS6](#) [654PT2](#) [654ST2](#) [M83513/04-H02C](#) [M83513/04-H13C](#) [FFA.3S.787.CN](#) [84914-0235](#) [84914-0237](#) [9-1589475-0](#) [1200650264](#) [1200650355](#) [1200650362](#) [1200650392](#) [1200650442](#) [1200650843](#) [1200650880](#) [1200650968](#) [1200651246](#)
[1200651756](#) [1200680096](#) [1200690050](#) [1200690242](#) [1200700133](#) [1200700176](#) [1200700178](#) [1200700218](#) [120070-0224](#) [1200700267](#)
[1200730058](#) [1200730360](#) [120115-0033](#) [1201150044](#) [1200650368](#) [1200650505](#) [1200651330](#) [1200651454](#) [1200651516](#) [1200651571](#)
[1200651580](#) [1200651601](#) [1200652122](#) [1200680196](#) [1200690085](#) [1200690095](#) [1200690153](#) [1200700088](#)