

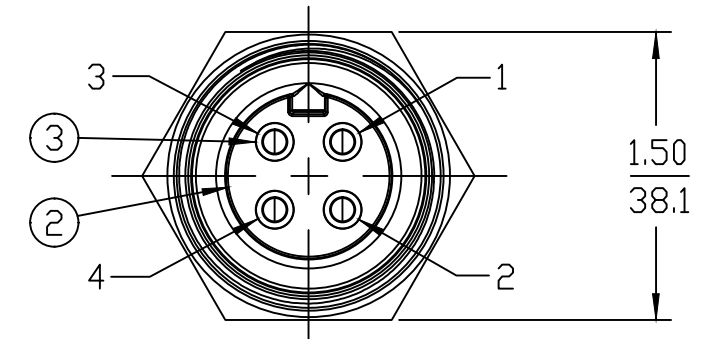
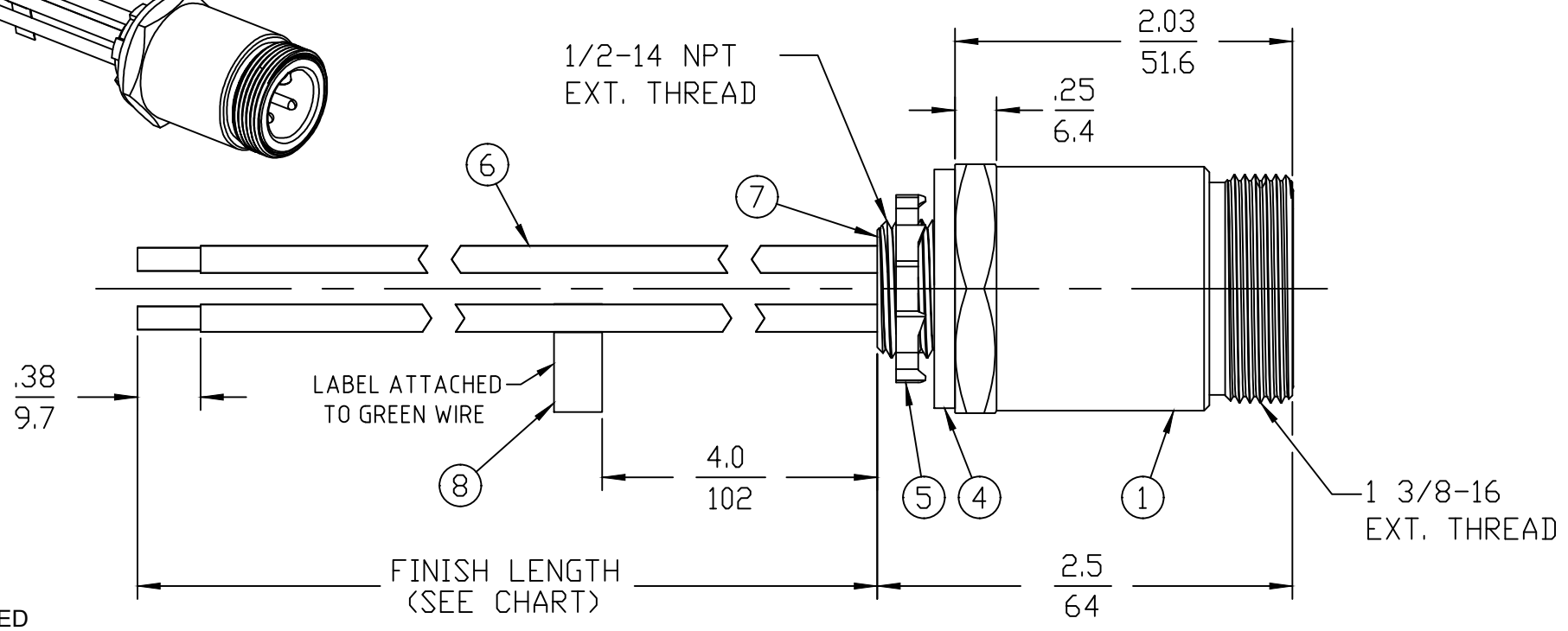
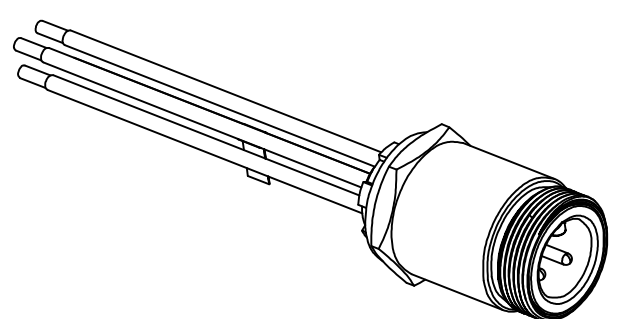
PART NUMBER	ENGINEERING NUMBER	FINISH LENGTH
1300660170	CR4006A30M005	1.64' [0.5M]
1300660171	CR4006A30M010	3.28' [1M]
1300660182	CR4006A30M120	39.37' [12M]

## PART NUMBER LEGEND

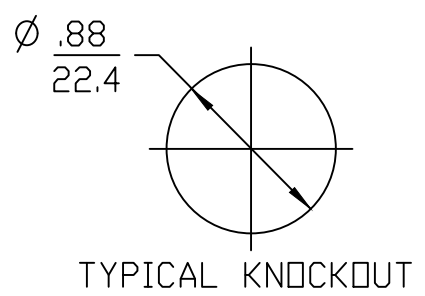
# CR4006A30M005

**LENGTH**  
M005 = 0.5 METER  
M010 = 1 METER  
M100 = 10 METER

CABLE LENGTH TOLERANCES	
>.3M [1FT]:	+19mm-0 [+ .75in-0]
.3 - .9M [1 - 3FT]:	+44.5mm-0 [+1.75in-0]
.9 - 1.8M [3 - 6FT]:	+55.6mm-0 [+2.19in-0]
1.8 - 3.7M [6 - 12FT]:	+88.9mm-0 [+3.50in-0]
3.7 - 7.3M [12 - 24FT]:	+165.1mm-0 [+6.50in-0]
7.3-14.6M [24 - 48FT]:	+317.5mm-0 [+12.50in-0]
14.6 - 30.5M [48-100FT]:	+622.3mm-0 [+24.50in-0]
OVER 30M [100FT]	+2% OF FINISHED LENGTH



- NOTES:**
- MATERIAL: AS NOTED
  - FINISH: AS NOTED
  - ELECTRICAL:  
VOLTAGE: 4P: 500V PER IEC60664  
600V PER UL2237  
CURRENT: 32A
  - TEMP RATING: -20°TO +90°C
  - PROTECTION: IP67 (WHEN MATED)
  - UL LISTED FILE: E258922
  - ALL DIMS ARE FOR REFERENCE UNLESS NOTED OTHERWISE



BLACK	1
GREEN	2
RED	3
WHITE	4

WIRING DIAGRAM

ITEM	QTY.	DESCRIPTION	MATERIAL	FINISH
8	1	FLAG LABEL	VINYL	YELLOW/BLACK
7	A/R	POTTING	EPOXY	BLACK
6	4	WIRE #10-1 UL 1015	PVC JACKET	SEE WIRING DIAGRAM
5	1	LOCKNUT	STEEL	ZINC PLATED
4	1	GASKET	NEOPRENE	BLACK
3	4	PIN CONTACT	COPPER ALLOY	GOLD PLATED
2	1	MALE INSERT, 4 POLE	PVC	BLACK
1	1	RECEPTACLE SHELL	ALUMINUM	CLEAR ANODIZED

REV	DESCRIPTION
B	UPDATE 10GA VALUES, REMOVE 2 POLE
	EC NO: IPG2019-0166
	DRWN: JCAPPOZZ 2018/10/10
	CHKD: RSTONE
	APPR: BWOODMAN 2018/11/16

QUALITY SYMBOLS	GENERAL TOLERANCES (UNLESS SPECIFIED)	
	mm	INCH
▽=0	4 PLACES ±---	±---
▽=0	3 PLACES ±---	±---
	2 PLACES ±---	±---
	1 PLACE ±---	±---
	ANGULAR ±---°	
	DRAFT WHERE APPLICABLE MUST REMAIN WITHIN DIMENSIONS	

DIMENSION STYLE	
INCH	
DRAWN BY	DATE
JCAPPOZZ	2018/10/10
CHECKED BY	DATE
R STONE	---
APPROVED BY	DATE
BWOODMAN	2018/11/16
MATERIAL NO.	SEE P/N CHART
SIZE	B

SCALE	DESIGN UNITS	THIRD ANGLE PROJECTION	
NTS	INCH		
REF. THIS DRAWING SUPERSEDES COCREATE REV. A			
<b>BRAD POWER MALE,  1/2"NPT, 4 POLE, AC  RECEPTACLE ASSEMBLY</b>			
		<b>MOLEX INCORPORATED</b>	
DOCUMENT NO.		SHEET NO.	
SD-130066-054		1 OF 1	
THIS DRAWING CONTAINS INFORMATION THAT IS PROPRIETARY TO MOLEX INCORPORATED AND SHOULD NOT BE USED WITHOUT WRITTEN PERMISSION			

## X-ON Electronics

Largest Supplier of Electrical and Electronic Components

*Click to view similar products for [Specialized Cables](#) category:*

*Click to view products by [Molex](#) manufacturer:*

Other Similar products are found below :

[585P5S5S](#) [603PT6](#) [603SS6L](#) [604PT6](#) [604SS6](#) [654PT2](#) [654ST2](#) [M83513/04-H02C](#) [M83513/04-H13C](#) [FFA.3S.787.CN](#) [84914-0235](#) [84914-0237](#) [9-1589475-0](#) [1200650264](#) [1200650355](#) [1200650362](#) [1200650392](#) [1200650442](#) [1200650843](#) [1200650880](#) [1200650968](#) [1200651246](#)  
[1200651756](#) [1200680096](#) [1200690050](#) [1200690242](#) [1200700133](#) [1200700176](#) [1200700178](#) [1200700218](#) [120070-0224](#) [1200700267](#)  
[1200730058](#) [1200730360](#) [120115-0033](#) [1201150044](#) [1200650368](#) [1200650505](#) [1200651330](#) [1200651454](#) [1200651516](#) [1200651571](#)  
[1200651580](#) [1200651601](#) [1200652122](#) [1200680196](#) [1200690085](#) [1200690095](#) [1200690153](#) [1200700088](#)