

ITEM	DESCRIPTION	MATERIAL	FINISH
1	RECEPTACLE SHELL	ZINC DIE-CAST	NICKEL PLATE
2	FEMALE INSERT	PVC	BLACK
3	CONTACT SOCKET	COPPER ALLOY	GOLD PLATED
4	WIRE, 14 AWG (TTHN)	PVC INSULATION	SEE FACE VIEW
5	POTTING MATERIAL	EPDXY	
6	FLAG LABEL	VINYL	BLACK/YELLOW

RELEASED
 EC NO: PG2017-0655
 DRWN: RSTONE 2017/01/11
 CHKD: M ZIELIN 2017/01/26
 APPR: BWOODMAN 2017/01/26

QUALITY SYMBOLS
 =0
 =0

GENERAL TOLERANCES (UNLESS SPECIFIED)
 DIMENSION STYLE INCH/MM
 SCALE ---
 DESIGN UNITS INCH
 THIRD ANGLE PROJECTION

PLACES	ANGULAR ±	DRAWN BY	DATE
4 PLACES	±	RSTONE	2017/01/11
3 PLACES	±	M ZIELIN	2017/01/26
2 PLACES	±	M ZIELIN	2017/01/26
1 PLACE	±	BWOODMAN	2017/01/26

DRAFT WHERE APPLICABLE MUST REMAIN WITHIN DIMENSIONS

SIZE A

THIS DRAWING CONTAINS INFORMATION THAT IS PROPRIETARY TO MOLEX INCORPORATED AND SHOULD NOT BE USED WITHOUT WRITTEN PERMISSION

SD-130066-076
 DOCUMENT NO.
 SHEET NO. 1 OF 1

MOLEX INCORPORATED

MINI-CHANGE RECEPTACLE
 FEMALE 4P, 14 AWG
 1/2 NPT, AG COLOR

TITLE

DRAWN BY DATE

CHECKED BY DATE

APPROVED BY DATE

MATERIAL NO.

SCALE ---

DESIGN UNITS INCH

THIRD ANGLE PROJECTION

- NOTES:
1. MATERIAL: AS NOTED
 2. FINISH: AS NOTED
 3. ELECTRICAL:
 4. TEMP RATING: -20°TO +90°C
 5. PROTECTION: IP67 (WHEN MATED)
 6. COUPLING THREAD: 7/8-16UN
 7. ALL DIMS ARE FOR REFERENCE UNLESS NOTED OTHERWISE

CURRENT: 15A
 600V PER UL2237
 VOLTAGE: 320V PER IEC60664

4. TEMP RATING: -20°TO +90°C

5. PROTECTION: IP67 (WHEN MATED)

6. COUPLING THREAD: 7/8-16UN

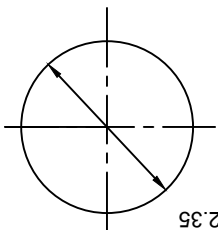
7. ALL DIMS ARE FOR REFERENCE UNLESS NOTED OTHERWISE

PART NUMBER LEGEND

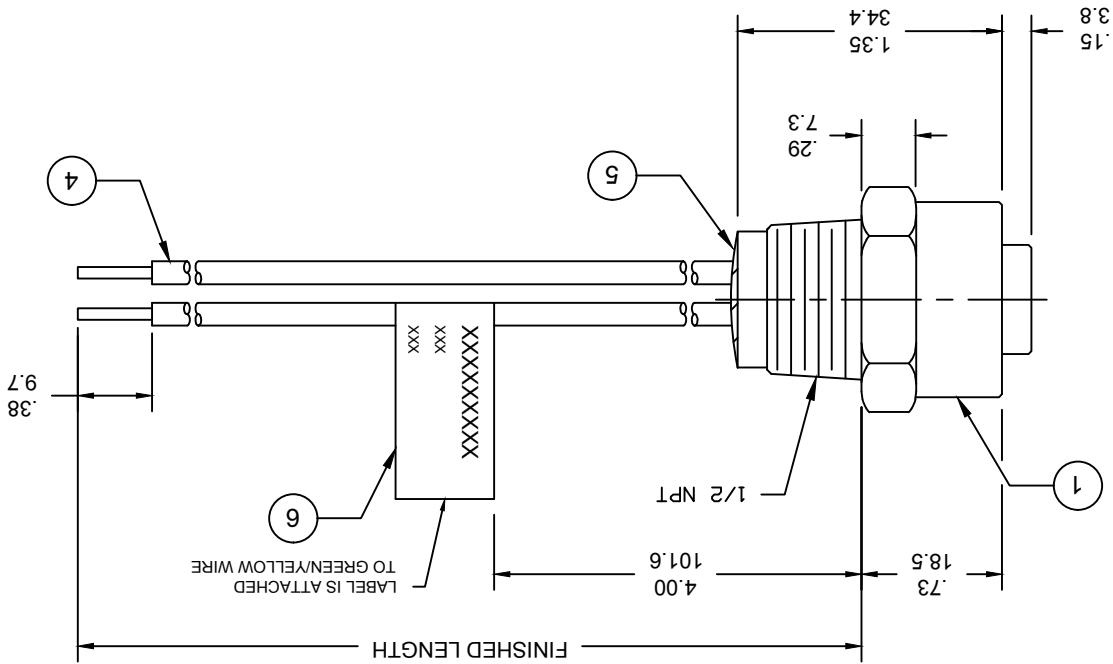
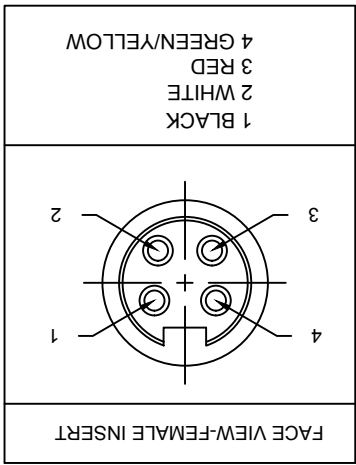
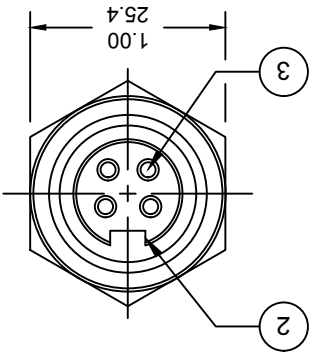
1R4000A28M005G

FINISHED LENGTH:
 M005 = 0.5 METER
 M010 = 1 METER
 M100 = 10 METER

REF. KNOCKOUT HOLE



0.880
 22.35



A

B

C

D

E

1

2

3

4

5

6

1

2

3

4

5

6

X-ON Electronics

Largest Supplier of Electrical and Electronic Components

Click to view similar products for [Specialized Cables](#) category:

Click to view products by [Molex](#) manufacturer:

Other Similar products are found below :

[585P5S5S](#) [603PT6](#) [603SS6L](#) [604PT6](#) [604SS6](#) [654PT2](#) [654ST2](#) [M83513/04-H02C](#) [M83513/04-H13C](#) [FFA.3S.787.CN](#) [84914-0235](#) [84914-0237](#) [9-1589475-0](#) [1200650264](#) [1200650355](#) [1200650362](#) [1200650392](#) [1200650442](#) [1200650843](#) [1200650880](#) [1200650968](#) [1200651246](#)
[1200651756](#) [1200680096](#) [1200690050](#) [1200690242](#) [1200700133](#) [1200700176](#) [1200700178](#) [1200700218](#) [120070-0224](#) [1200700267](#)
[1200730058](#) [1200730360](#) [120115-0033](#) [1201150044](#) [1200650368](#) [1200650505](#) [1200651330](#) [1200651454](#) [1200651516](#) [1200651571](#)
[1200651580](#) [1200651601](#) [1200652122](#) [1200680196](#) [1200690085](#) [1200690095](#) [1200690153](#) [1200700088](#)