



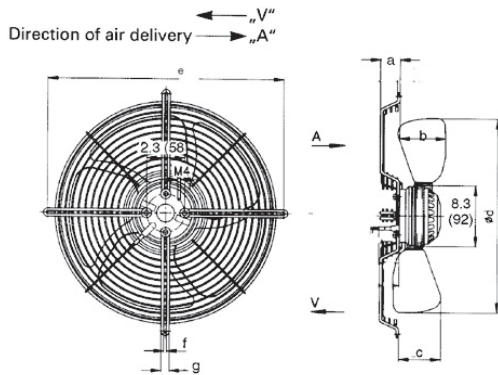
S4E300A Series

Axial

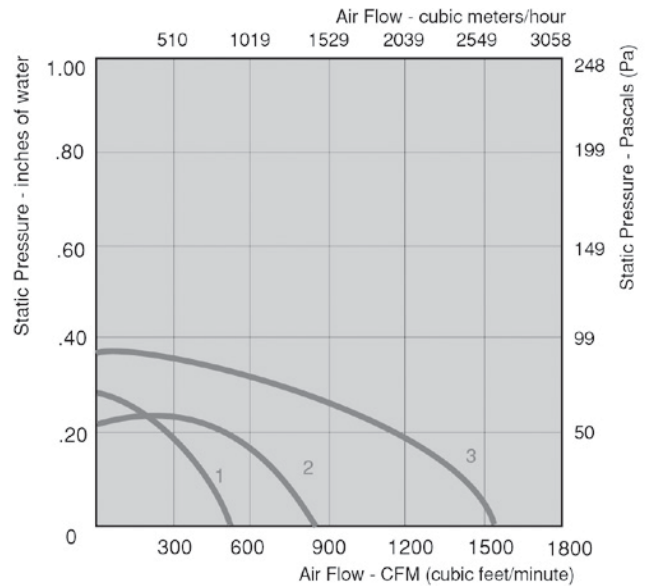
Ø 360mm K-Range

- ebm-papst offers a wide range of AC axial fans to optimally fit any application.
- Impellers are spray-molded of high quality plastic, and connected to motor by molding a metal ring into hub.
- Direction of rotation is CCW looking at rotor.
- Maintenance-free ball bearings..
- UL, CSA, VDE approvals on some models, please contact application engineering.

Part Number	Curve	CFM @ 0	VAC	Hertz	Power (W)	dBA	Max. Amb. Temp C	Bearing Type	Features	Capacitor (µF)	Grill Position
A4E250-AE32-51	1	535	230	50/60	50	50	70	Ball	Leads	1.5	Inlet
S4E300-EH26-51	2	859	230	50/60	90	61	55	Ball	Leads	1.5	Inlet
S4E360-EC20-51	3	1556	230	50/60	120	59	40	Ball	Leads	3	Inlet



Series Number	Dimensions - inches (mm)						
	a	b	c	d	e	f	g
S4E300	1.18 (30)	2.80 (71)	2.60 (66)	11.57 (294)	14.17 (360)	0.18 (4.6)	0.49 (12.4)
S4E360	0.87 (22)	3.00 (76)	3.00 (76)	14.17 (360)	15.75 (400)	0.20 (6.6)	0.65 (16.6)



X-ON Electronics

Largest Supplier of Electrical and Electronic Components

Click to view similar products for [AC Fans](#) category:

Click to view products by [ebm papst](#) manufacturer:

Other Similar products are found below :

[M2E068-DF13-79](#) [F1238H24B-FHR](#) [8850A](#) [G9225S05B2-FSR](#) [A2D200-AA04-41](#) [A2E165-AA17-01](#) [R2D140-AB02-14](#) [R4D310-AS18-01](#)
[R4D400-AD22-06](#) [R4E180-AS11-09](#) [AD0912HB-A7BGL](#) [1500-FAN-01](#) [25.001.1856.0](#) [25.320.1153.1](#) [25.320.1353.1](#) [25.320.4753.1](#)
[25.320.5453.1](#) [25.330.1353.1](#) [25.330.4853.1](#) [25.330.5153.1](#) [25.330.5353.1](#) [25.340.1053.1](#) [25.350.5253.0](#) [25.600.4053.0](#) [272DL-2LP11-000](#)
[S2E250-AL06-70](#) [A2D210-AB10-05](#) [A2D240-AA02-02](#) [A2D250-AE22-06](#) [A2E170-AF23-01](#) [F1238S24BT-FSR](#) [25.000.1856.0](#)
[25.000.2056.0](#) [25.010.1856.0](#) [25.220.3953.1](#) [25.332.2453.1](#) [25.340.0453.1](#) [25.345.5353.0](#) [25.352.1853.0](#) [281DS-2LP11-000B](#) [281DY-](#)
[1LP14-000B](#) [298DM-2LP11-000](#) [298DS-2LP11-000A](#) [R2S150-AD08-09](#) [344DY-1LP11-000](#) [39.703.0253.0](#) [USTF1203224VHW](#)
[3915100996-SA3](#) [3G2C7MC224](#) [W2D200-HH04-07](#)