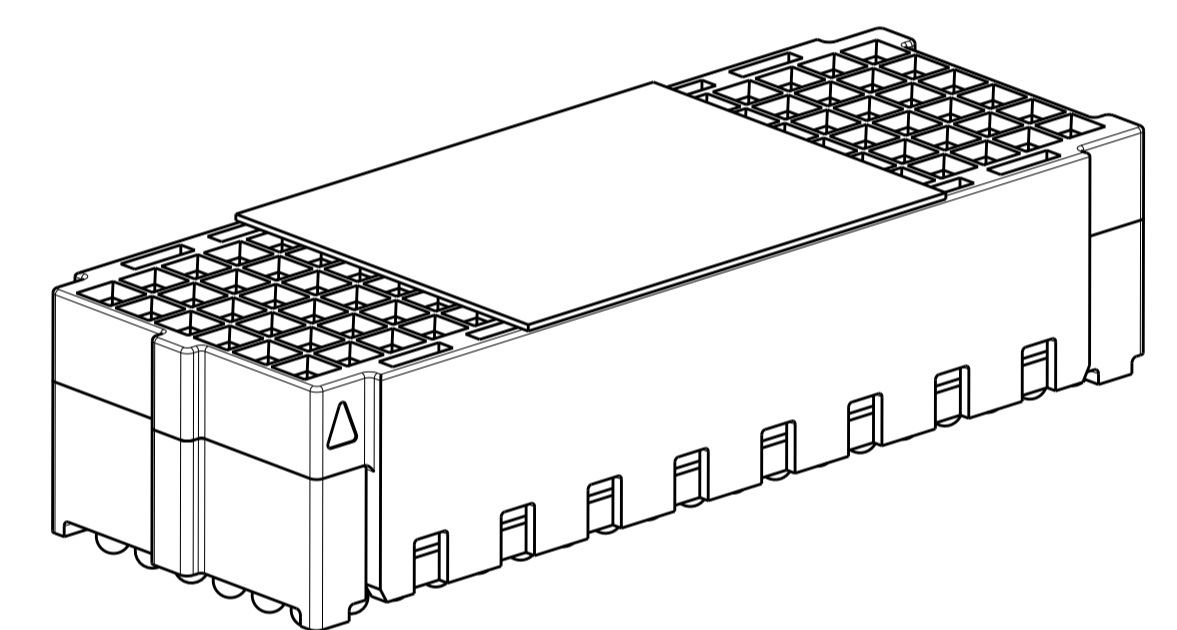
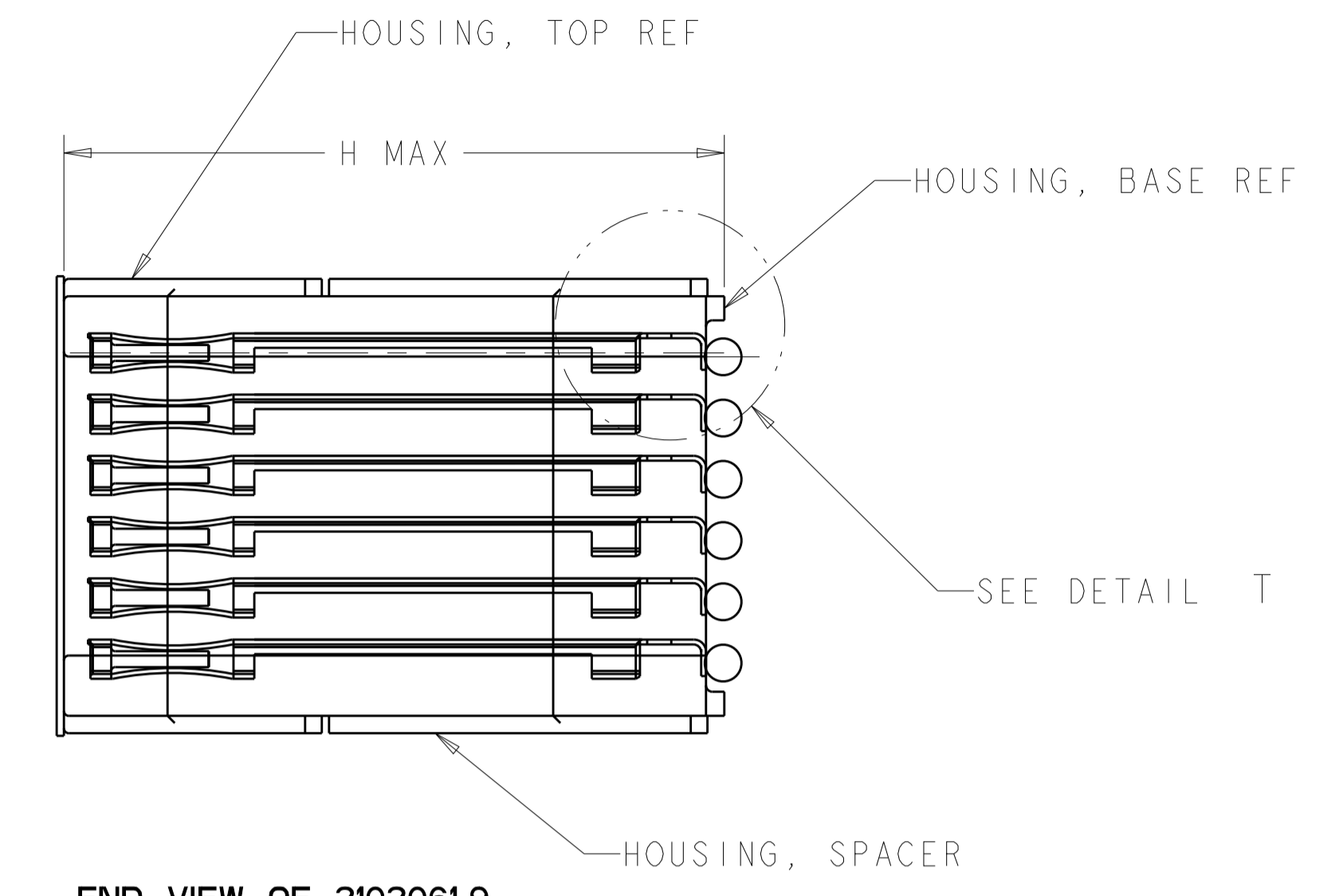
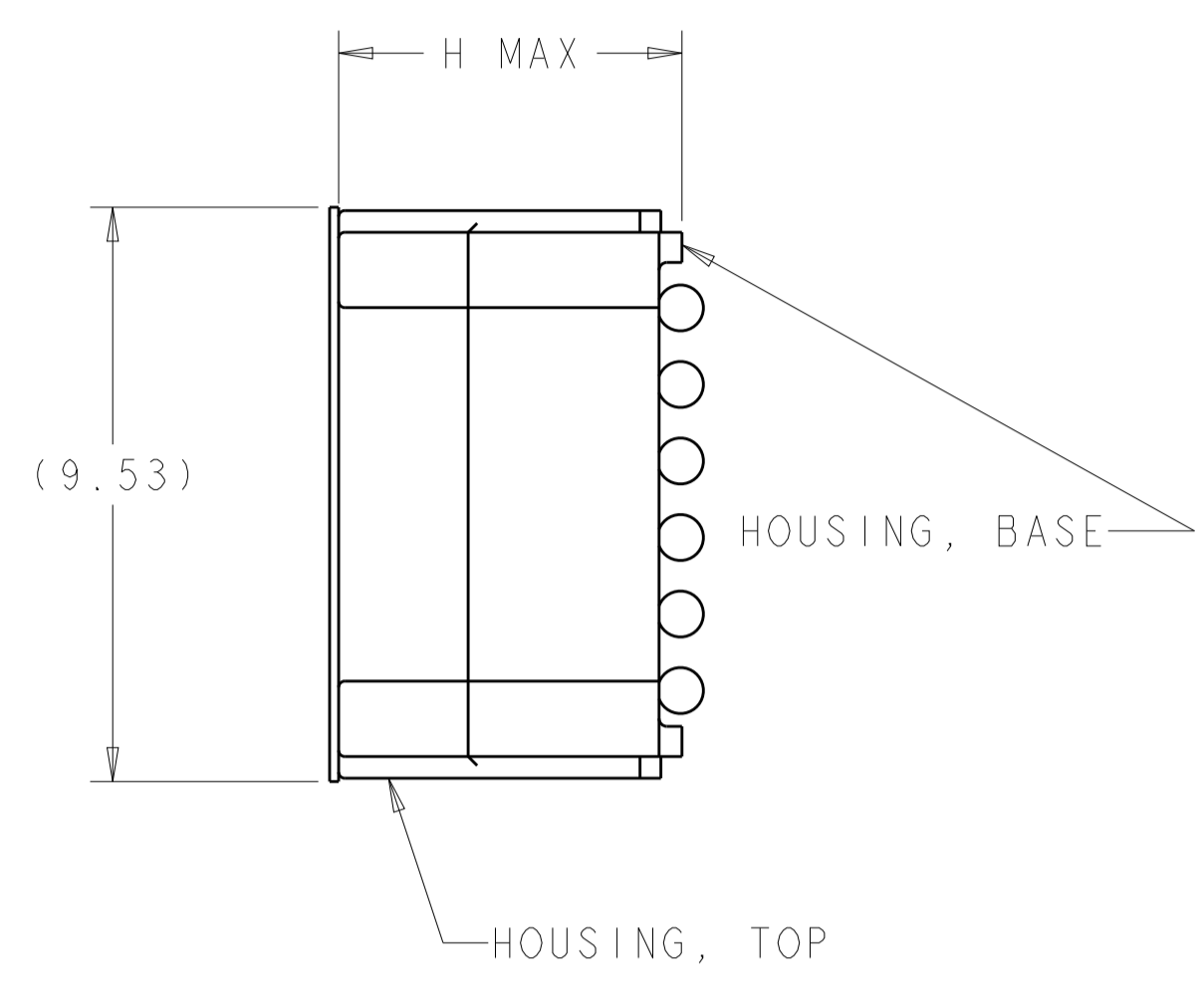
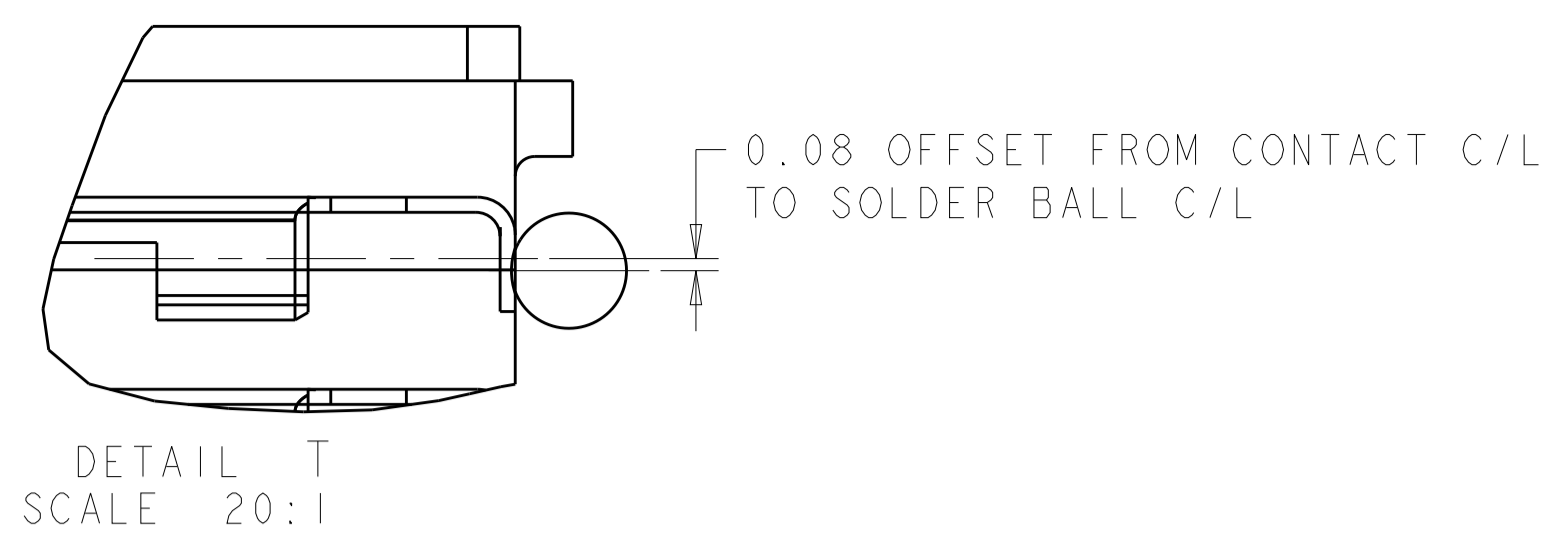
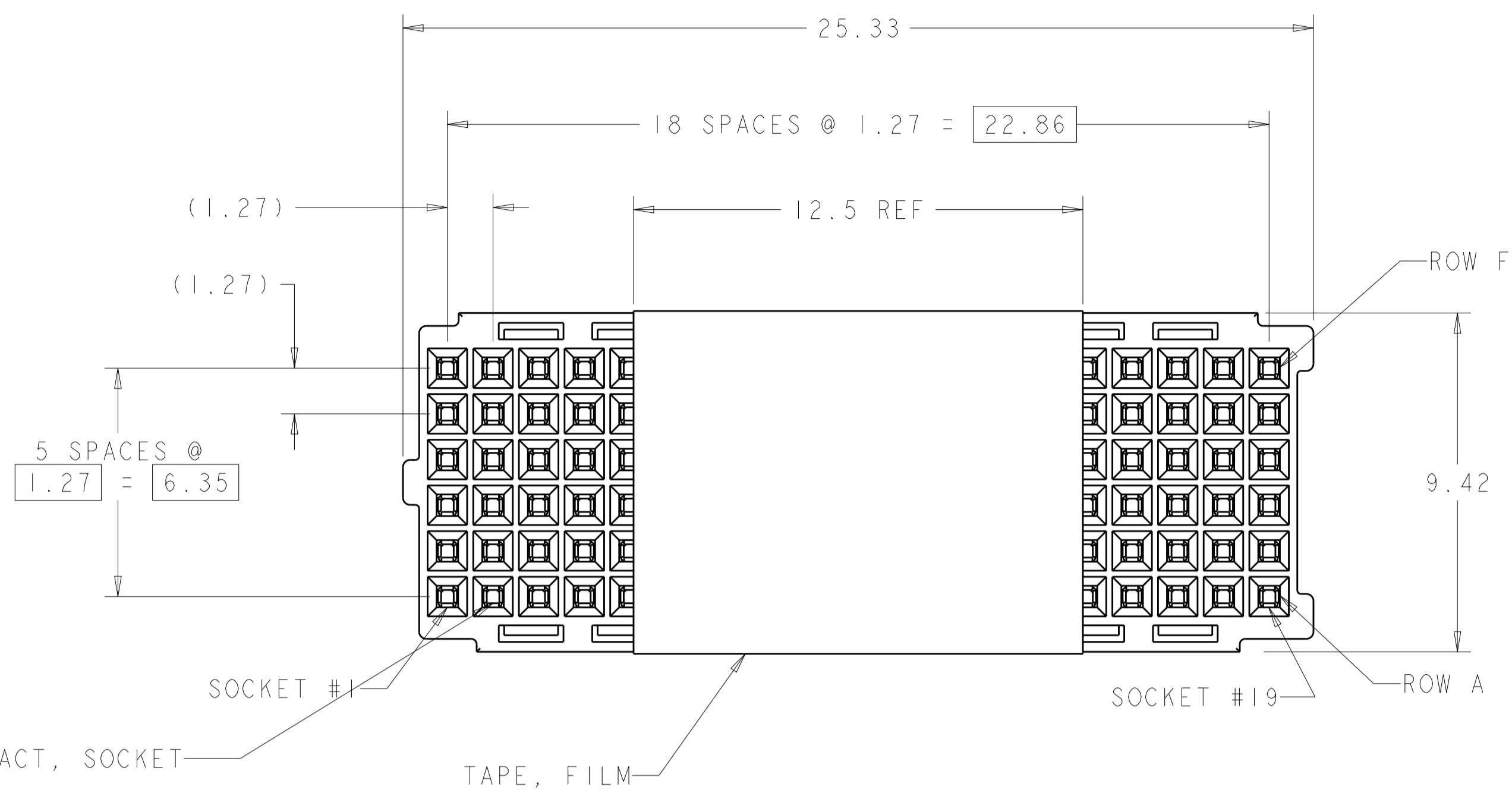
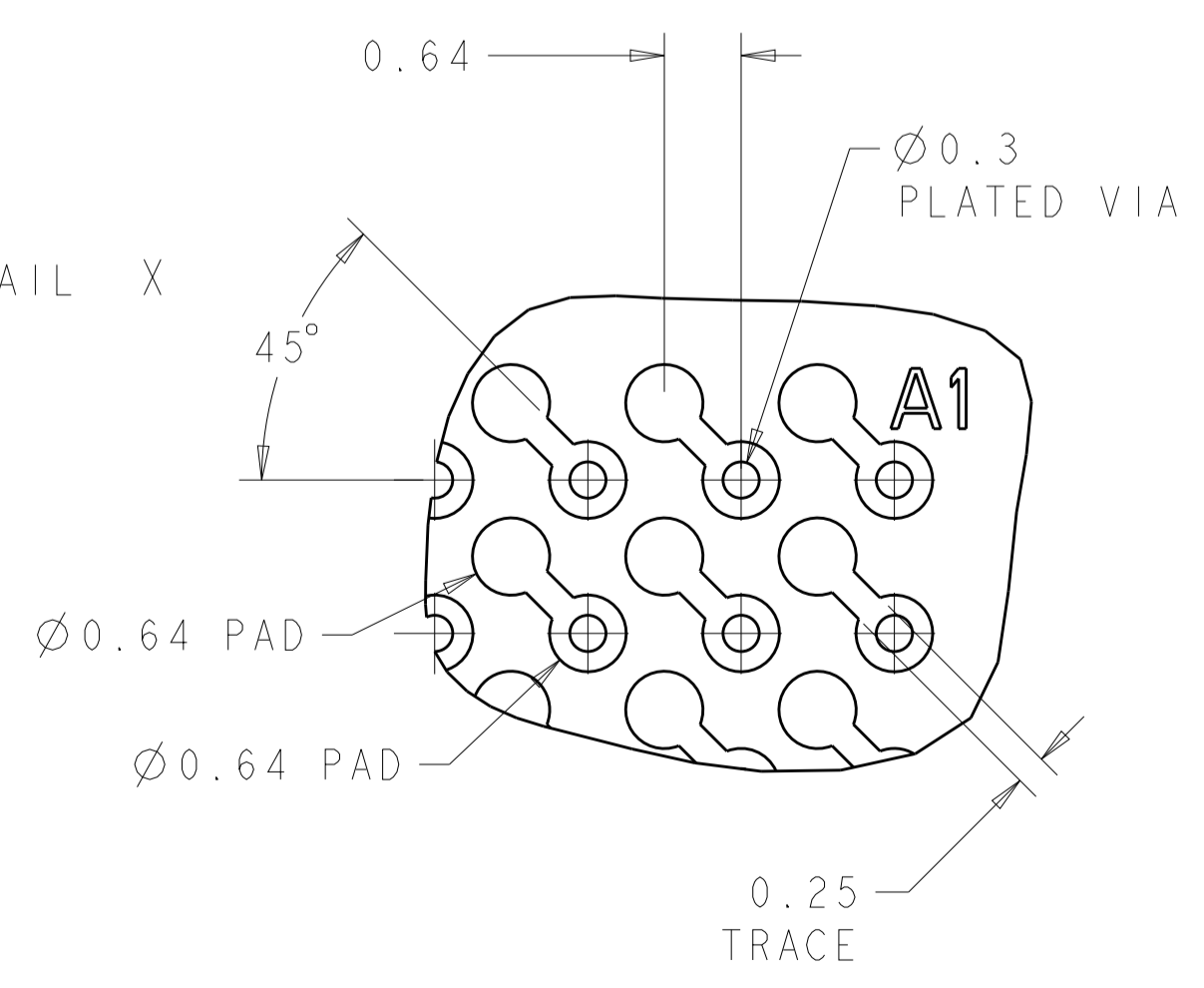
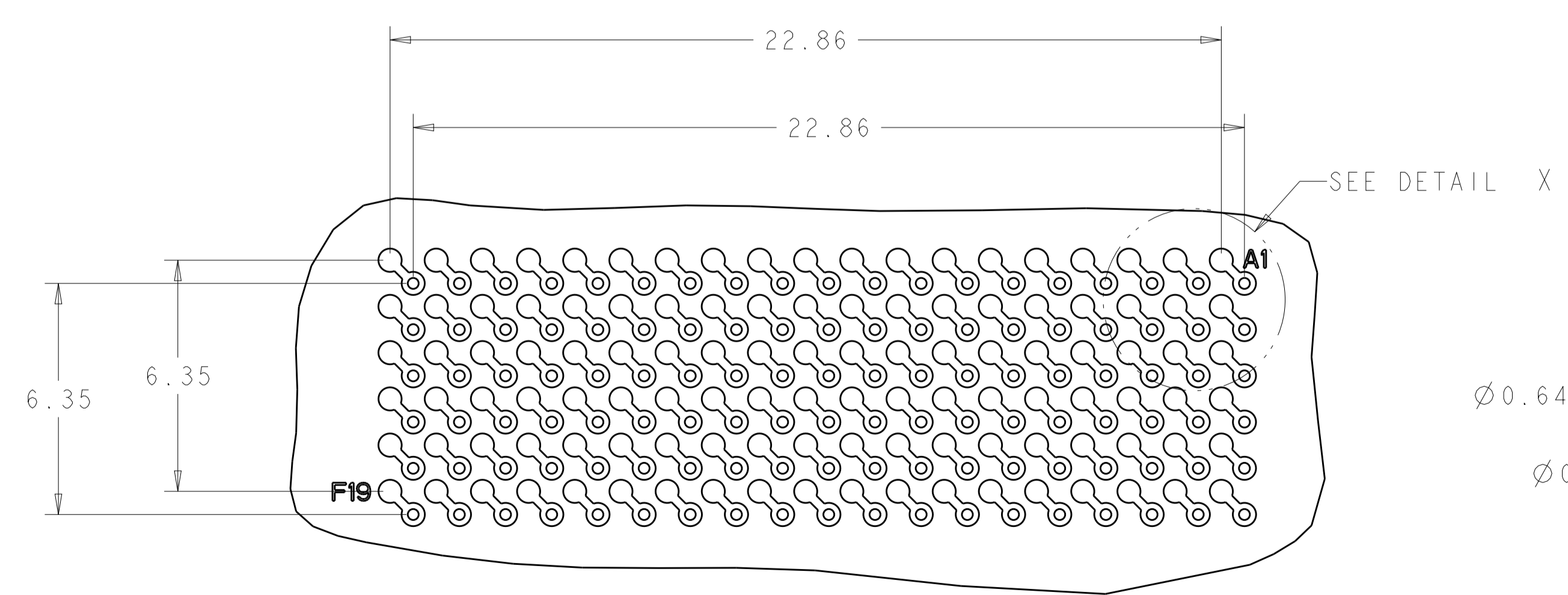
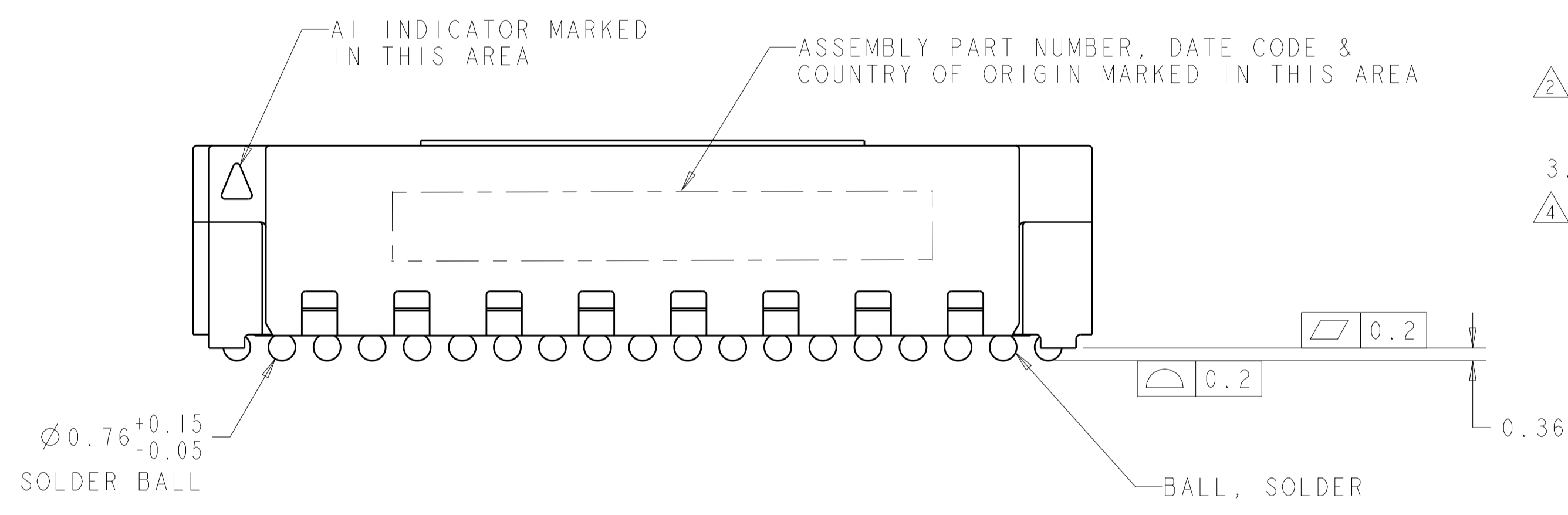


REVISIONS					
P.	LTN	DESCRIPTION	DATE	DMN	APVD
J		REV PER ECO 18-010457	7-24-18	CT	CJ



- ⚠ MATERIAL: HOUSINGS; LCP, COLOR-NATURAL CONTACT; BERYLLIUM COPPER SOLDER BALL; SEE TABLE TAPE, FILM; KAPTON WITH SILICON ADHESIVE
- ⚠ FINISH: CONTACT; GOLD (SEE TABLE) ON MATING AREA OVER NICKEL ON ENTIRE CONTACT.
- 3. PRODUCT IS PACKAGED ON TAPE AND REELED.
- ⚠ PRELIMINARY PART



MATING PART NUMBER	MATED STACK HEIGHT (mm)	GOLD PLATING THICKNESS	H MAX REF	SOLDER BALL MATERIAL	PART NUMBER
2102060-2	17	1.27 µm	13	LEAD FREE PER SAC405	1-2102061-8
2102060-1	17	1.27 µm	13	TIN LEAD	1-2102061-7
2102060-4	15	0.76 µm	11	LEAD FREE PER SAC405	1-2102061-6
2102060-3	15	0.76 µm	11	TIN LEAD	1-2102061-5
2102060-2	15	1.27 µm	11	LEAD FREE PER SAC405	1-2102061-4
2102060-1	15	1.27 µm	11	TIN LEAD	1-2102061-3
2102060-4	8	0.76 µm	14	LEAD FREE PER SAC405	1-2102061-2
2102060-3	18	0.76 µm	14	TIN LEAD	1-2102061-1
2102060-2	18	1.27 µm	14	LEAD FREE PER SAC405	1-2102061-0
2102060-1	18	1.27 µm	14	TIN LEAD	2102061-9
2102060-4	12	0.76 µm	8	LEAD FREE PER SAC405	2102061-8
2102060-3	12	0.76 µm	8	TIN LEAD	2102061-7
2102060-4	10	0.76 µm	6	LEAD FREE PER SAC405	2102061-6
2102060-3	10	0.76 µm	6	TIN LEAD	2102061-5
2102060-2	12	1.27 µm	8	LEAD FREE PER SAC405	2102061-4
2102060-1	12	1.27 µm	8	TIN LEAD	2102061-3
2102060-2	10	1.27 µm	6	LEAD FREE PER SAC405	2102061-2
2102060-1	10	1.27 µm	6	TIN LEAD	2102061-1

PCB LAYOUT (CONNECTOR SIDE) SCALE 8:1

THIS DRAWING IS A CONTROLLED DOCUMENT. DWN LG DOWTY 23JUL2009. CHK K DOWHOWER 23JUL2009. APVD K DOWHOWER 23JUL2009.

STE TE Connectivity

NAME ASSEMBLY, SOCKET, 114 POSITION, MEZALOK STACKING CONNECTOR

PRODUCT SPEC 108-2411

APPLICATION SPEC 114-13279

SIZE CAGE CODE DRAWING NO. RESTRICTED TO A100779C=2102061

CUSTOMER DRAWING SCALE 8:1 SHEET 1 OF 1 REV J

X-ON Electronics

Largest Supplier of Electrical and Electronic Components

Click to view similar products for [Board to Board & Mezzanine Connectors](#) category:

Click to view products by [TE Connectivity](#) manufacturer:

Other Similar products are found below :

[10135583-642402LF](#) [89885-310LF](#) [589158040000018](#) [6-1393048-0](#) [68683-613](#) [MDF7-12DP-2.54DSA](#) [MDF7-18P-2.54DSA\(01\)](#) [MDF7-20DP-2.54DSA](#) [MDF7-26D-2.54DSA\(55\)](#) [MDF7-3P-2.54DSA\(01\)](#) [MDF7B-3P-2.54DSA\(55\)](#) [MDF7C-11P-2.54DSA\(55\)](#) [MDF7C-18P-2.54DSA\(55\)](#) [MDF7C-5P-2.54DSA\(01\)](#) [MDF7P-5P-2.54DSA\(55\)](#) [75234-0516](#) [FCN-230C068-11](#) [FCN-268F012-G/BD](#) [FCN-268F036-G/BD](#) [FCN-268M012-G/0D](#) [FCN-268M024-G/1D](#) [FCN-360C008-C](#) [FCN-360C040-C](#) [FCN-723J004/1](#) [MIS-048-01-F-D-DP-K](#) [832-10-034-10-001000](#) [93696-325LF](#) [11828-1FA](#) [AXK630345P](#) [18097-0013](#) [ICA-328STT](#) [2007042-2](#) [304400-2](#) [FCN-214Q030-G/0](#) [FCN-215Q040-G/0](#) [FCN-230C068-ESA](#) [FCN-234P048-G/0](#) [FCN-235D050-G/C](#) [FCN-360A3](#) [FCN-360C040-B](#) [210-93-314-41-105000](#) [2-22603-0](#) [379-064-521-202](#) [MDF7-12P-2.54DSA\(01\)](#) [MDF7-16P-2.54DS\(56\)](#) [MDF7-40DP-2.54DSA\(55\)](#) [MDF7-8P-2.54DSA\(55\)](#) [MDF7B-16P-2.54DSA\(55\)](#) [AXG720047](#) [5031084030](#)